

FS

FORMAL SPILLWAYS

Atlantic's Formal Spillway System takes the guesswork out of adding water to your landscape or hardscape. Minimal noise and splash make this system ideal for indoor applications. Convenient Basin Kits include everything needed for installation, saving time and money. All components are matched for perfect performance every time.

THE PERFECT COMPLEMENT TO ANY HARDSCAPE

- » Double filter mats keep debris out of the system, eliminating time consuming cleanouts
- » Basin Kits require no guesswork for installation and accommodate four spillway options
- » Dimensions of basins work well with all engineered stone systems
- » High efficiency pumps and top quality components keep cost of operation minimal
- » Water flow is adjustable to achieve the perfect effect regardless of location
- » The rigid basins are completely weatherproof and carry a lifetime warranty



FORMAL SPILLWAY SYSTEM

- 1 Formal Spillway Basins are seamless, leak-proof and molded in sizes that complement most modular wall and paving systems, for easy installation and minimal cutting.
- 2 Built-in recesses route all the plumbing beneath the basin, including Auto Fill feed lines and low voltage wiring for accent lighting.
- 3 Basin Kits include all plumbing and fittings needed for installation, with a single union ball valve for easy pump removal and adjustment of water flow to the spillway.
- 4 All plumbing is contained inside the perimeter of the basin, allowing retaining wall blocks to surround the basin with no notching or cutting.



- 5 Internal Matala mat prevents any debris from entering the pump and spillway, filtering the water and diffusing turbulence for even water flow from the spillway.
- 6 Large pump chamber accommodates the appropriate TidalWave pump with room for the installation of an Auto Fill Valve.
- 7 Complete Basin Kits work interchangeably with all Atlantic Formal Spillway styles: Colorfalls, Color Changing Colorfalls and Spillways.



- 8 Atlantic Splash Rings keep stones in place and splash at bay as effectively as our Splash Mats, but with the appeal of steel and copper. Add an LED light ring under the mesh to illuminate the falls from below.





WALL SPOUTS



MODEL: WSM-S



MODEL: WSR-O



MODEL: WSV-S



MODEL: WSO-O

NEW!

NEW!

NEW!

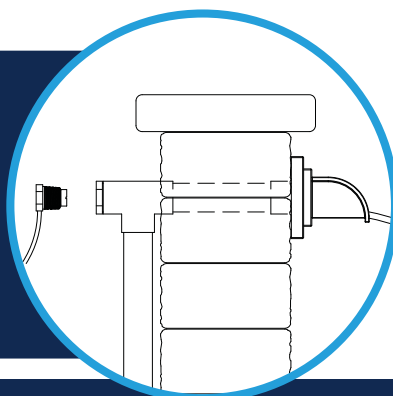
- Wall Spouts are an easy and elegant way to add the sight and sound of water to vertical surfaces
- Wall Spouts are great for smaller outdoor areas or a perfect complement to larger spillways
- Solid brass fixtures add a captivating focal point to both traditional and contemporary walls and patios

- Choose from four architectural designs with oil rubbed bronze finish to fit any style
- Integrated drip edge to eliminate backflow down the wall
- Includes grounding lug for bonded systems
- For use with Formal Spillway and Flexible Hardscape Basins

MODEL	LIST	DESCRIPTION	FLOW RATE	PROJECTION	INLET	DIMENSIONS	WARRANTY
WSM-S	\$167.99	Mantova	600 gph	14 - 16" at 18"H & 600 gph	1½" FIPT	5"W x 4¼"D x 5"H	3-year
WSR-O	\$167.99	Ravenna	600 gph	14 - 16" at 18"H & 600 gph	1½" FIPT	5"W x 5¾"D x 6"H	3-year
WSV-S	\$167.99	Verona	600 gph	14 - 16" at 18"H & 600 gph	1½" FIPT	7"W x 4¾"D x 7"H	3-year
WSO-O	\$167.99	Olivett	600 gph	14 - 16" at 18"H & 600 gph	1½" FIPT	6"W x 4½"D x 5"H	3-year

DID YOU KNOW?

It's easy to add the dimension of light to our solid brass Wall Spouts! These unique fixtures install inside the plumbing and light the water flowing past them. Available in your choice of Warm White or Color Changing, on pages 63 & 67.



COLORFALLS



MODEL: CF12B (Ice Blue)
CF12W (Crystal White)
CF12SW (SOL White)



MODEL: CF24B (Ice Blue)
CF24W (Crystal White)
CF24SW (SOL White)



MODEL: CF36B (Ice Blue)
CF36W (Crystal White)
CF36SW (SOL White)

- Colorfalls produce a sheer of lighted water emerging from a concealed source inside vertical walls
- Colorfalls adapt to any wall material – pavers, tile, brick, stone, wood – the only limit is your imagination

- Replaceable LED light bar available in three vibrant colors
- Colorfalls feature a 5" lip, 30' power cord and includes a 12 volt outdoor transformer
- For use with Formal Spillway Basins and Basin Kits

MODEL	LIST	FLOW RATE	PROJECTION	INPUT VOLTAGE	WATTS	INLET	DIMENSIONS	WARRANTY
CF12 B/W/SW	\$186.99	1,000 gph	13 - 15" at 18"H & 1,000 gph (Rec. Height: 20" max.)	12 volt AC	3	1½" FIPT	12"W x 8"D x 3½"H	1-year
CF24 B/W/SW	\$280.99	2,000 gph	13 - 15" at 18"H & 2,000 gph (Rec. Height: 30" max.)	12 volt AC	6	1½" FIPT	24"W x 8"D x 3½"H	1-year
CF36 B/W/SW	\$364.99	3,000 gph	13 - 15" at 18"H & 3,000 gph (Rec. Height: 40" max.)	12 volt AC	9	1½" FIPT	36"W x 8"D x 3½"H	1-year

3 VIBRANT COLORS



ReFresh Colorfalls & Fountain Treatment on page 74.



COLOR CHANGING COLORFALLS



MODEL: CC06

MODEL: CC12

MODEL: CC24

MODEL: CC36

- Atlantic's Color Changing Colorfalls is the only modular sheer descent system with multiple light and configuration options, the most versatile way to add light and water to your landscape or hardscape
- Color Changing Colorfalls synchronize with Atlantic SOL LED Hardscape and submersible lights to create illuminated landscapes
- Unlike other sheer descent waterfalls, Atlantic Color Changing Colorfalls may be linked together to create waterfalls of any width
- Create up to a 15-foot synchronized Color Changing Colorfalls using the Wiring Kit CCCM05

- Designed to install easily in any wall, indoors or out, whether stone, brick, block, stucco, tile or wood
- Atlantic's Color Changing Colorfalls' modular body style offers multiple inlets for maximum plumbing flexibility
- Generous weir openings resist clogging and create a thicker, fuller sheer for extra color and less wind deflection
- Colorfalls feature a 5" lip, 20' power cord and includes Color Changing Control Module, remote control and outdoor transformer
- For use with Formal Spillway Basins and Basin Kits

MODEL	LIST	FLOW RATE	PROJECTION	INPUT VOLTAGE	WATTS	INLET	DIMENSIONS	WARRANTY
CC06	\$241.99	600 gph	8 - 10" at 18"H & 600 gph (Rec. Height: 20" max.)	12 volt DC	1-3 variable	1½" FIPT	6"W x 8"D x 3½"H	1-year
CC12	\$285.99	1,200 gph	8 - 10" at 18"H & 1,200 gph (Rec. Height: 20" max.)	12 volt DC	2-5 variable	1½" FIPT	12"W x 8"D x 3½"H	1-year
CC24	\$463.99	2,400 gph	8 - 10" at 18"H & 2,400 gph (Rec. Height: 30" max.)	12 volt DC	3-10 variable	1½" FIPT	24"W x 8"D x 3½"H	1-year
CC36	\$587.99	3,600 gph	8 - 10" at 18"H & 3,600 gph (Rec. Height: 40" max.)	12 volt DC	5-15 variable	1½" FIPT	36"W x 8"D x 3½"H	1-year

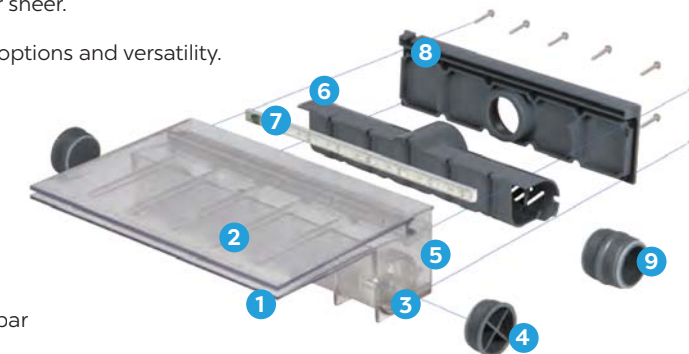
TECH TIP

When installing any Colorfalls, be sure to provide a way to access the rear of the enclosure for future maintenance, changing the light bar and winterizing. Do not permanently encase any Colorfalls in stone or mortar as it will make servicing the unit difficult in the future. Use outdoor caulk instead of mortar or construction adhesive to anchor capstones over Colorfalls.



COLOR CHANGING COLORFALLS FEATURES:

1. Large weir opening produces a thick sheer for less wind deflection, more color and less chance of clogging.
2. Redesigned internal lip supports eliminate splitting of the water sheer.
3. 1½" FIPT inlets on both sides and back for maximum plumbing options and versatility.
4. Includes (2) 1½" plugs for unused plumbing inlets.
5. Self-draining body for easy winterization.
6. Removable baffle for easy cleaning and servicing.
7. Color Changing LED light bar is accessible from the rear of the unit for servicing.
8. Removable back plate provides access to the interior and light bar for routine maintenance.
9. Threaded adapter with silicone O-rings to connect multiple Color Changing Colorfalls.



CONTROL MODULE FEATURES:



Input Voltage: 12 Volt AC
Output Voltage: 12 Volt DC / 6-wire
Max Load: 80 watts

Each Color Changing Colorfalls includes a Control Module & Remote Control

- Weatherproof enclosure with external antenna
- 48 vibrant color options and 18 preset modes
- 2.4GHz RF frequency for increased range
- Touch remote with simplified functions
- Synchronize SOL Color Changing lighting with Colorfalls for brilliant nighttime effects



SOL Color Changing lighting shown on page 66-69.

COLOR CHANGING COLORFALLS WIRING KIT

Whether you want to create a single, seamless waterfall up to 15 feet wide, synchronize multiple Color Changing Colorfalls or link your SOL Color Changing Lights to your Colorfalls, the 60 watt CCCM05 Color Changing Colorfalls Wiring Kit makes connecting them all together simple. Just plug each component in, synchronize and control all with a single remote!



MODEL	LIST	INPUT	OUTPUT	DIMENSIONS	TRANSFORMER	SPLITTERS	WARRANTY
CCCM05	\$99.99	120 volt AC	12 volt AC / 60 watts	6"L x 3¼"D x 3¼"H	60 watt	(2) 3-way / 6-wire	1-year



316 STAINLESS STEEL SPILLWAYS



MODEL: SS12-316

MODEL: SS24-316

MODEL: SS36-316

- 316 Stainless Steel Spillways enhance any vertical wall in the pools, hardscapes and wherever chlorine is used as a disinfecting agent
- Modular design and convenient 4-inch height make Spillways ideal for garden wall block construction
- Readily adaptable to any vertical wall installation

- Built of heavy-gauge 316 stainless steel for durability you can count on under the harshest conditions
- Structural load bearing design allows for burial in masonry walls
- Non-clogging weir for open water basin installations and decreased maintenance

MODEL	LIST	DESCRIPTION	FLOW RATE	PROJECTION	INLET	DIMENSIONS	WARRANTY
SS12-316	\$296.99	12" 316 Stainless Steel Spillway	1,200 gph	9" - 10" at 18"H & 1,200 gph	1½" FIPT	12"W x 8½"D x 4"H	3-year
SS24-316	\$432.99	24" 316 Stainless Steel Spillway	2,400 gph	9" - 10" at 18"H & 2,400 gph	1½" FIPT	24"W x 8½"D x 4"H	3-year
SS36-316	\$630.99	36" 316 Stainless Steel Spillway	3,600 gph	9" - 10" at 18"H & 3,600 gph	1½" FIPT	36"W x 8½"D x 4"H	3-year

TECH TIP

316 Stainless Steel Spillways were specifically designed for use with chlorinated water. 316 stainless is much more resistant to corrosion than 304 stainless steel. Atlantic's new 316 Stainless Steel Spillways feature an integrated grounding lug for use in bonded systems.



304 SPILLWAYS



MODEL: SS12

MODEL: SS24

MODEL: SS36



MODEL: CS12

MODEL: CS24

MODEL: CS36

- 304 Stainless Steel Spillways provide an enticing and durable focal point for fresh water applications in the hardscape
- Atlantic Spillways replace 4-inch wall blocks for easy and convenient installation in garden wall block construction
- Enhances any vertical wall installation

- Heavy-gauge construction from 304 stainless steel for ageless durability
- Load bearing body design for trouble free installation
- Non-clogging weir for open water basin installations and decreased maintenance

MODEL	LIST	DESCRIPTION	FLOW RATE	PROJECTION	INLET	DIMENSIONS	WARRANTY
SS12	\$209.99	12" 304 Stainless Steel Spillway	1,200 gph	9" - 10" at 18"H & 1,200 gph	1½" FIPT	12"W x 8½"D x 4"H	3-year
CS12	\$259.99	12" 304 Copper Finish Spillway	1,200 gph	9" - 10" at 18"H & 1,200 gph	1½" FIPT	12"W x 8½"D x 4"H	3-year
SS24	\$308.99	24" 304 Stainless Steel Spillway	2,400 gph	9" - 10" at 18"H & 2,400 gph	1½" FIPT	24"W x 8½"D x 4"H	3-year
CS24	\$390.99	24" 304 Copper Finish Spillway	2,400 gph	9" - 10" at 18"H & 2,400 gph	1½" FIPT	24"W x 8½"D x 4"H	3-year
SS36	\$432.99	36" 304 Stainless Steel Spillway	3,600 gph	9" - 10" at 18"H & 3,600 gph	1½" FIPT	36"W x 8½"D x 4"H	3-year
CS36	\$526.99	36" 304 Copper Finish Spillway	3,600 gph	9" - 10" at 18"H & 3,600 gph	1½" FIPT	36"W x 8½"D x 4"H	3-year



WATER WALL SPILLWAYS

NEW!



MODEL: SWS24-316

- Vertically oriented spillway simplifies the construction of water walls, weeping wall and rain curtains
- Revolutionary concept of spillway as a decorative focal point eliminates the need for valances
- Heavy-gauge 316 stainless steel construction ensures durability under even the harshest conditions

MODEL: CWS24-316

- Bottom inlet accommodates wood-framed or masonry walls with facades up to 1½" thick
- 1½" female threaded inlet and center rear bonding lug facilitate hidden in-wall plumbing connections.

MODEL	LIST	DESCRIPTION	FLOW RATE	INLET	DIMENSIONS	WARRANTY
SWS24-316	\$308.99	24" Stainless Steel Water Wall Spillway	Smooth Surfaces - 750-1500 gph Rough Surfaces - 1500-3000 gph	1½" FIPT	24"W x 5¼"D x 3½"H	3-year
CWS24-316	\$390.99	24" Copper Finish Water Wall Spillway	Smooth Surfaces - 750-1500 gph Rough Surfaces - 1500-3000 gph	1½" FIPT	24"W x 5¼"D x 3½"H	3-year

DID YOU KNOW?

A new concept in water wall design, Atlantic's Waterwall Spillways eliminate the need for valances with an attractive stainless steel or copper finish that can be left visible, simplifying installation. Modular vertical spillways create water walls, weeping walls and rain curtains of any width in 24-inch increments, with seamless water flow between units.



SPLASH RINGS



MODEL: CFSR12



MODEL: CFSR24



MODEL: CFSR36



MODEL: CFCR12



MODEL: CFCR24



MODEL: CFCR36

- Formal Spillways are typically installed in small recirculating systems where controlling water loss is crucial
- Splash Rings eliminate splash and reduce evaporation, prolonging time between fill ups
- Installed on the top of the basin, Splash Rings add a finished, architectural accent to Colorfalls, Wall Spout and Spillway displays

- Surround Splash Rings with decorative gravel for a finished look
- 304 stainless steel mesh and ¼" stainless banding deliver years of service

MODEL	LIST	DESCRIPTION	FOR USE WITH	DIMENSIONS	WARRANTY
CFSR12	\$167.99	Stainless Steel Splash Ring for 12" Spillways	CFBASIN12	16"W x 8"D x 1½"H	3-year
CFCR12	\$207.99	Copper Finish Splash Ring for 12" Spillways	CFBASIN12	16"W x 8"D x 1½"H	3-year
CFSR24	\$241.99	Stainless Steel Splash Ring for 24" Spillways	CFBASIN24	28"W x 8"D x 1½"H	3-year
CFCR24	\$301.99	Copper Finish Splash Ring for 24" Spillways	CFBASIN24	28"W x 8"D x 1½"H	3-year
CFSR36	\$308.99	Stainless Steel Splash Ring for 36" Spillways	CFBASIN36	40"W x 8½"D x 1½"H	3-year
CFCR36	\$387.99	Copper Finish Splash Ring for 36" Spillways	CFBASIN36	40"W x 8½"D x 1½"H	3-year

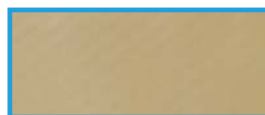


BASINS & KITS

FLEXIBLE HARDSCAPE BASINS



MODEL: FF4216T (Tan)
FF4216G (Grey)
FF4216B (Black)



MODEL: FF6216T (Tan)
FF6216G (Grey)
FF6216B (Black)



MODEL: FF8216T (Tan)
FF8216G (Grey)
FF8216B (Black)



- For those applications that require an open basin, Atlantic's Flexible Basins are the easiest way to waterproof your block installation
- Basins are available in tan, grey and black to complement any surround up to eight-feet wide
- Unlike improvised EPDM liner basins, welded corner construction eliminates folds and wrinkles for a neat professional appearance
- Conveniently pre-punched, with backing plates and bulkheads to plumb submersible or external pumps
- Reinforced PVC construction with fold out flaps to anchor liner under capstones for security and durability
- Perfect for Atlantic's Spillway, Water Wall and Wall Spout installations
- Open basins not recommended for use with Colorfalls

MODEL	LIST	FOR USE WITH	DIMENSIONS	CAPACITY	BULKHEAD	WARRANTY
FF4216 T/G/B	\$349.99	Spillways, Water Walls & Wall Spouts Only	4'W x 2'D x 16"H	80 gallons	1 1/2" w/ Backing Plate	1-year
FF6216 T/G/B	\$440.99	Spillways, Water Walls & Wall Spouts Only	6'W x 2'D x 16"H	120 gallons	(2) 1 1/2" w/ Backing Plates	1-year
FF8216 T/G/B	\$493.99	Spillways, Water Walls & Wall Spouts Only	8'W x 2'D x 16"H	160 gallons	(2) 1 1/2" w/ Backing Plates	1-year

TECH TIP

For best results, fill Flexible Basin with water before finishing off the surrounding walls with caps. You'll be able to pull the flexible sides upwards and work out any wrinkles for the most attractive appearance before permanently attaching the top layer of wall blocks.

COMPLETE BASIN KITS



MODEL: CFBASINKIT12



MODEL: CFBASINKIT24



MODEL: CFBASINKIT36

- The heart of Atlantic Formal Spillway Systems, Basin Kits provide everything you need to install Colorfalls, Water Walls and Spillways
- Seamless installation with four-inch garden block
- Three sizes of self-contained basins, paired with pumps and plumbing accommodate 12, 24 and 36-inch Formal Spillways
- Basin Kits include basin, Splash Mat, pump, plumbing, PVC spray glue, adjustment valve and Auto Fill, all in one box

MODEL	LIST	DESCRIPTION	FOR USE WITH	DIMENSIONS	PUMP	WARRANTY
CFBASINKIT12	\$699.99	Complete Basin Kit	All 12" Spillways	20"W x 20"D x 16"H	TT1500	Basin - Lifetime Pump - 3-year
CFBASINKIT24	\$812.99	Complete Basin Kit	All 24" Spillways	44"W x 22"D x 16"H	TT3000	Basin - Lifetime Pump - 3-year
CFBASINKIT36	\$1,056.99	Complete Basin Kit	All 36" Spillways	56"W x 24"D x 16"H	TT4000	Basin - Lifetime Pump - 3-year

BASINS & ACCESSORIES



MODEL: CFBASIN12



MODEL: CFBASIN24



MODEL: CFBASIN36

MODEL	LIST	DIMENSIONS	CAPACITY	FILTERING	WARRANTY
CFBASIN12	\$319.99	20"L x 20"W x 16"H	18 gallons	Matala Filter Mat	Lifetime
CFBASIN24	\$368.99	44"L x 22"W x 16"H	33 gallons	Matala Filter Mat	Lifetime
CFBASIN36	\$419.99	56"L x 24"W x 16"H	42 gallons	Matala Filter Mat	Lifetime

MODEL	LIST	DESCRIPTION	DIMENSIONS	FOR USE WITH	WARRANTY
CFSPMA12	\$36.99	Splash Mat	17"L x 17"W	CFBASIN12	1-year
CFSPMA24	\$54.99	Splash Mat	41"L x 19"W	CFBASIN24	1-year
CFSPMA36	\$72.99	Splash Mat	53"L x 21"W	CFBASIN36	1-year



CFSPMA24



Want to use our basins but need a rectangular basin shape? Build your wallstones around the basin to whatever shape you wish, then fill the voids with pieces of foam board cut to fit. Cap with gravel to complete the custom basin.

TECH TIP