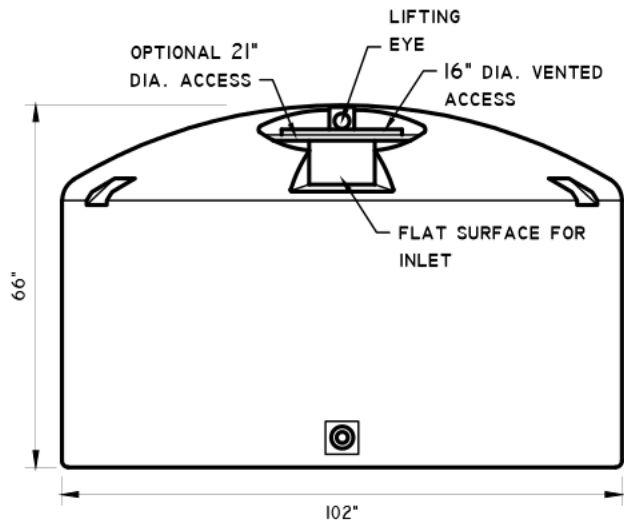
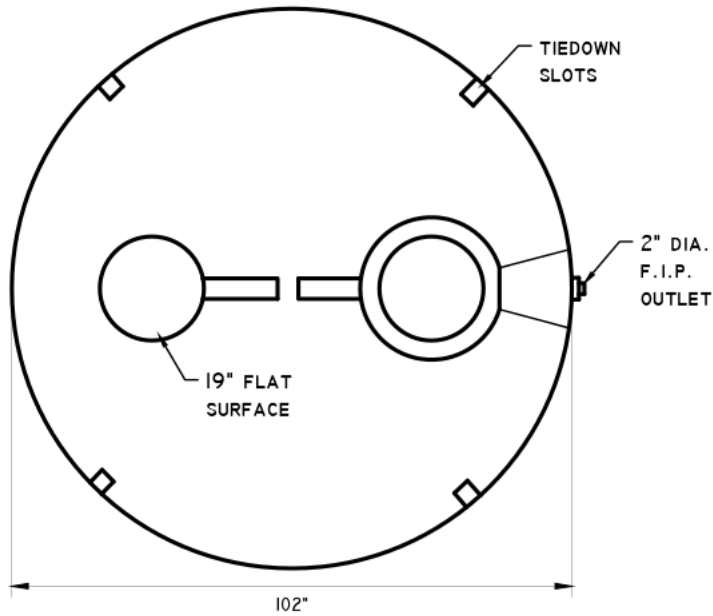


SIDE ELEVATION



FRONT ELEVATION



TOP VIEW



www.premierplastics.com 1-800-661-4473

VERTICAL WATER TANK

1660 IMP. GALLON - VWI660

2000 US. GALLON - VU2000

POLYETHYLENE

DATE: AUG 2008

SCALE: NTS

DRAWN: SGM

DWG. No. VWI660

REV.