

# CENTRIFUGAL PUMPS

## CLOSE-COUPLED DR SERIES



### FEATURES

- Back pull-out design provides access to internal parts without disturbing the plumbing
- Robust cast iron volute standard; stainless steel alternate available for DR1 Series
- Volute discharge can be rotated in 90° increments with top vertical standard from the factory
- Multiple 1/4" NPT drain/pressure ports enable winterizing no matter the volute orientation
- Enclosed impeller design for increased efficiencies; thermoplastic and stainless steel options
- Multiple mechanical seal construction materials to accommodate handling various fluids
- Every pump unit factory wet tested to insure customer satisfaction
- Suitable for horizontal or vertical (motor end up) installation
- NEMA standard motor options include:
  - Pump end kits available for 56C & 56J motor construction
  - Rotation: right hand; clockwise when viewed from motor end
  - Maximum fluid handling temperature 180 °F (82 °C)



### APPLICATIONS

- Water circulation
- Booster service
- Liquid transfer
- Spraying systems
- Jockey pump service
- General purpose pumping

Series	HP Range	Suction	Discharge	Max Flow	Max Head
DR1	1/2 - 1	1-1/4" NPT	1" NPT	65 GPM	115'
DR2	1 - 2	1-1/2" NPT	1-1/4" NPT	90 GPM	130'

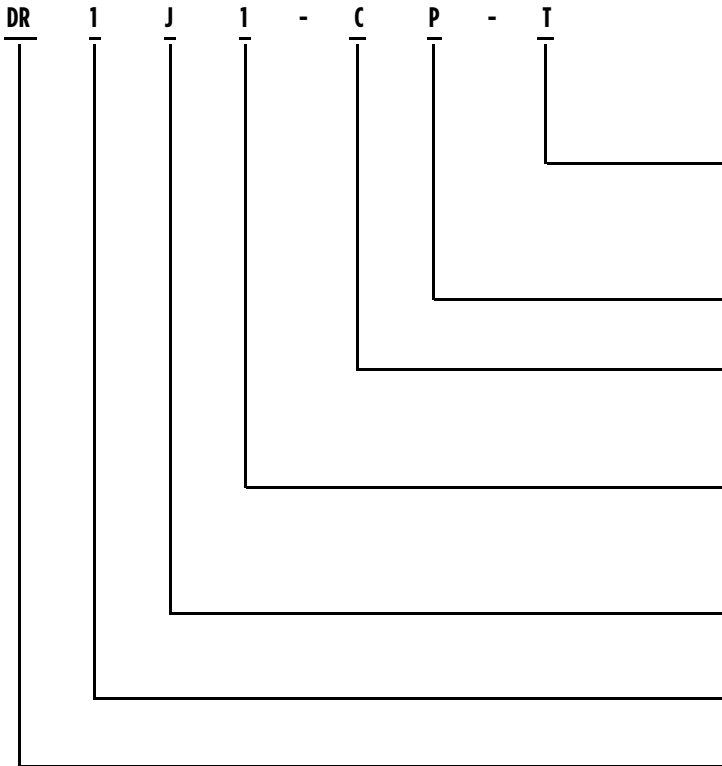
# CENTRIFUGAL PUMPS

## CLOSE-COUPLED DR SERIES

☰ MENU



### NOMENCLATURE



Blank = Single Phase, ODP  
 E = Single Phase, TEFC  
 K = Pump End Kit (no motor)  
 T = Three Phase, ODP  
 TE = Three Phase, TEFC  
 T5 = Three Phase, 575v, ODP  
 TE5 = Three Phase, 575v, TEFC

P = Plastic Impeller  
 S = Stainless Steel Impeller

C = Cast Iron Volute & Seal Plate or Bracket  
 S = Stainless Steel Volute & Seal Plate

05 = 1/2HP  
 07 = 3/4HP  
 1 = 1HP  
 15 = 1-1/2HP  
 2 = 2HP

S = 48Y Square Flange, Threaded 1/2"  
 J = 56J Round Flanged, Threaded 7/16"  
 C = 56C Round Flange, Keyed Shaft

1 = Volute Size 1, 1-1/4" x 1"  
 2 = Volute Size 2, 1-1/2" x 1-1/4"

DR = Pump Series

NOTE: Pump construction options may vary by pump series and motor configuration

### TABLE OF CONTENTS

DR1 & DR2 Series Quick Select Pump Page Finder

Series	Volute	Impeller	Seal Type	Flow Range (GPM)	Head Range (ft)	HP Range	Suc. x Disch.	Performance, Amperage, and Ordering Info.	Repair Parts	Dimensions	Master Performance Chart	Motors	56C & 56J Pump End Kits
DR1S-CP	CI	PL	1	20-60	30-105	0.5-1	1.25" x 1.00"	4	12	16	3	15	22
DR1S-SP	SS	PL	1	20-60	33-110	0.5-1	1.25" x 1.00"	5	12	16			
DR1C-CP	CI	PL	2	20-60	25-100	0.5-1	1.25" x 1.00"	6	14	17			
DR1C-SS	SS	SS	2	20-60	22-107	0.5-1	1.25" x 1.00"	7	14	17			
DR1J-CS	CI	SS	2	20-60	20-105	0.5-1	1.25" x 1.00"	8	13	18			
DR2S-CS	CI	SS	1	30-90	25-127	1-2	2.00" x 1.50"	9	12	19			
DR2C-CS	CI	SS	2	30-90	23-123	1-2	2.00" x 1.50"	10	14	20			
DR2J-CS	CI	SS	2	30-90	25-122	1-2	2.00" x 1.50"	11	13	21			

# CENTRIFUGAL PUMPS

## CLOSE-COUPLED DR SERIES

MENU



### MASTER PERFORMANCE

DR1 Series: 1-1/4" Suction x 1" Discharge																	
DR1, 1/2 HP	PEI	Volute	Impeller	Seal Type	Fluid Max °F	Motor	Capacity in GPM at Total Feet of Head Indicated										Max Press. (PSI)
							30	40	50	60	70	80	90	100	110	120	
DRIC05-SS	0.82	SS	SS	2	180	56C	56	50	43	36	27	-	-	-	-	-	37
DRIS05-SP	0.87	SS	PL	1	120	48Y	62	56	49	42	33	-	-	-	-	-	38
DRIS05-CP	0.90	CI	PL	1	120	48Y	59	53	46	39	29	-	-	-	-	-	37
DRIC05-CP	0.96	CI	PL	2	120	56C	57	51	43	34	26	-	-	-	-	-	37
DRIJ05-CS	0.91	CI	SS	2	160	56J	54	48	42	35	26	-	-	-	-	-	37

DR1 Series: 1-1/4" Suction x 1" Discharge																	
DR1, 3/4 HP	PEI	Volute	Impeller	Seal Type	Fluid Max °F	Motor	Capacity in GPM at Total Feet of Head Indicated										Max Press. (PSI)
							30	40	50	60	70	80	90	100	110	120	
DRIC07-SS	0.82	SS	SS	2	180	56C	-	56	50	44	37	30	21	-	-	-	43
DRIS07-SP	0.87	SS	PL	1	120	48Y	-	61	55	49	42	34	24	-	-	-	43
DRIS07-CP	0.90	CI	PL	1	120	48Y	-	59	54	47	40	31	21	-	-	-	42
DRIC07-CP	0.96	CI	PL	2	120	56C	-	59	53	46	38	30	19	-	-	-	42
DRIJ07-CS	0.91	CI	SS	2	160	56J	-	55	50	44	37	30	20	-	-	-	42

DR1 Series: 1-1/4" Suction x 1" Discharge																	
DR1, 1 HP	PEI	Volute	Impeller	Seal Type	Fluid Max °F	Motor	Capacity in GPM at Total Feet of Head Indicated										Max Pressure (PSI)
							30	40	50	60	70	80	90	100	110	120	
DRIC1-SS	0.82	SS	SS	2	180	56C	-	-	57	52	47	40	33	26	-	-	49
DRIS1-SP	0.87	SS	PL	1	120	48Y	-	-	60	56	50	44	37	29	-	-	50
DRIS1-CP	0.90	CI	PL	1	120	48Y	-	-	58	53	47	40	32	24	-	-	48
DRIC1-CP	0.96	CI	PL	2	120	56C	-	-	57	51	45	38	30	21	-	-	47
DRIJ1-CS	1.00	CI	SS	2	160	56J	-	-	55	51	46	39	31	23	-	-	48

DR2 Series: 1-1/2" Suction x 1-1/4" Discharge																	
DR2, 1 HP	PEI	Volute	Impeller	Seal Type	Fluid Max °F	Motor	Capacity in GPM at Total Feet of Head Indicated										Max Press. (PSI)
							30	40	50	60	70	80	90	100	110	120	
DR2S1-CS	0.83	CI	SS	1	120	48Y	86	79	70	59	44	-	-	-	-	-	34
DR2C1-CS	0.90	CI	SS	2	180	56C	86	78	68	57	42	-	-	-	-	-	34
DR2J1-CS	0.93	CI	SS	2	160	56J	86	78	70	60	45	-	-	-	-	-	35

DR2 Series: 1-1/2" Suction x 1-1/4" Discharge																	
DR2, 1-1/2 HP	PEI	Volute	Impeller	Seal Type	Fluid Max °F	Motor	Capacity in GPM at Total Feet of Head Indicated										Max Press. (PSI)
							30	40	50	60	70	80	90	100	110	120	
DR2S15-CS	0.83	CI	SS	1	120	48Y	-	-	88	82	74	65	54	41	-	-	47
DR2C15-CS	0.90	CI	SS	2	180	56C	-	-	87	80	72	63	52	40	-	-	47
DR2J15-CS	0.93	CI	SS	2	160	56J	-	-	88	81	73	64	52	38	-	-	47

DR2 Series: 1-1/2" Suction x 1-1/4" Discharge																	
DR2, 2 HP	PEI	Volute	Impeller	Seal Type	Fluid Max °F	Motor	Capacity in GPM at Total Feet of Head Indicated										Max Press. (PSI)
							30	40	50	60	70	80	90	100	110	120	
DR2S2-CS	0.83	CI	SS	1	120	48Y	-	-	-	88	82	76	68	60	51	40	57
DR2C2-CS	0.90	CI	SS	2	180	56C	-	-	-	84	78	72	64	56	46	34	57
DR2J2-CS	0.93	CI	SS	2	160	56J	-	-	-	85	79	72	64	56	46	34	57

### MATERIALS OF CONSTRUCTION

#### DR SERIES

Materials of Construction	Volute	Impeller	Seal Plate	Volute O-ring	Motor Bracket	Wear Ring	Shaft Seal	Shaft Coupling
DRIS-CP	Cast Iron, ASTM-A48, Class 30	PPE+PS 30% GF*	Cast Iron Class 25 ASTM A48	Nitrile	N/A	300 Series SS	PHEN/CER x BUNA-SS	N/A
DRIS-SP	303 Stainless Steel	PPE+PS 30% GF*	303 Stainless Steel	Nitrile	N/A	300 Series SS	PHEN/CER x BUNA-SS	N/A
DR2S-CS	Cast Iron, ASTM-A48, Class 30	304 Stainless Steel	Cast Iron Class 25 ASTM A48	Nitrile	N/A	300 Series SS	PHEN/CER x BUNA-SS	N/A
DRIJ-CS	Cast Iron, ASTM-A48, Class 30	304 Stainless Steel	N/A	FKM	Cast Iron, ASTM-A48, Class 30	300 Series SS	SiC/SiC FKM-SS	N/A
DR2J-CS	Cast Iron, ASTM-A48, Class 30	304 Stainless Steel	N/A	FKM	Cast Iron, ASTM-A48, Class 30	300 Series SS	SiC/SiC FKM-SS	N/A
DRIC-SS	303 Stainless Steel	304 Stainless Steel	303 Stainless Steel	FKM	Cast Iron, ASTM-A48, Class 30	300 Series SS	GL-SiC/GL-SiC/FKM-SS	302 SS
DRIC-CP	Cast Iron, ASTM-A48, Class 30	*PPE+PS 30% GF	Cast Iron Class 25 ASTM A48	Nitrile	Cast Iron, ASTM-A48, Class 30	300 Series SS	PHEN/CER x BUNA-SS	303 SS
DR2C-CS	Cast Iron, ASTM-A48, Class 30	304 Stainless Steel	Cast Iron Class 25 ASTM A48	FKM	Cast Iron, ASTM-A48, Class 30	300 Series SS	GL-SiC/GL-SiC/FKM-SS	303 SS

\* Polyphenylene Ether Polystyrene Modified

Motor Configurations		
DRIS & DR2S	48Y	Square Flange with 1/2" threaded SS shaft, impeller mounts directly on motor shaft
DRIC & DR2C	56C	Round flange - keyed shaft, impeller mounts to shaft coupling with 1/2" threads
DRIJ & DR2J	56J	Round flange with 7/16" threaded shaft, impeller mounts directly on motor shaft

# CENTRIFUGAL PUMPS

CLOSE-COUPLED DR SERIES

MENU

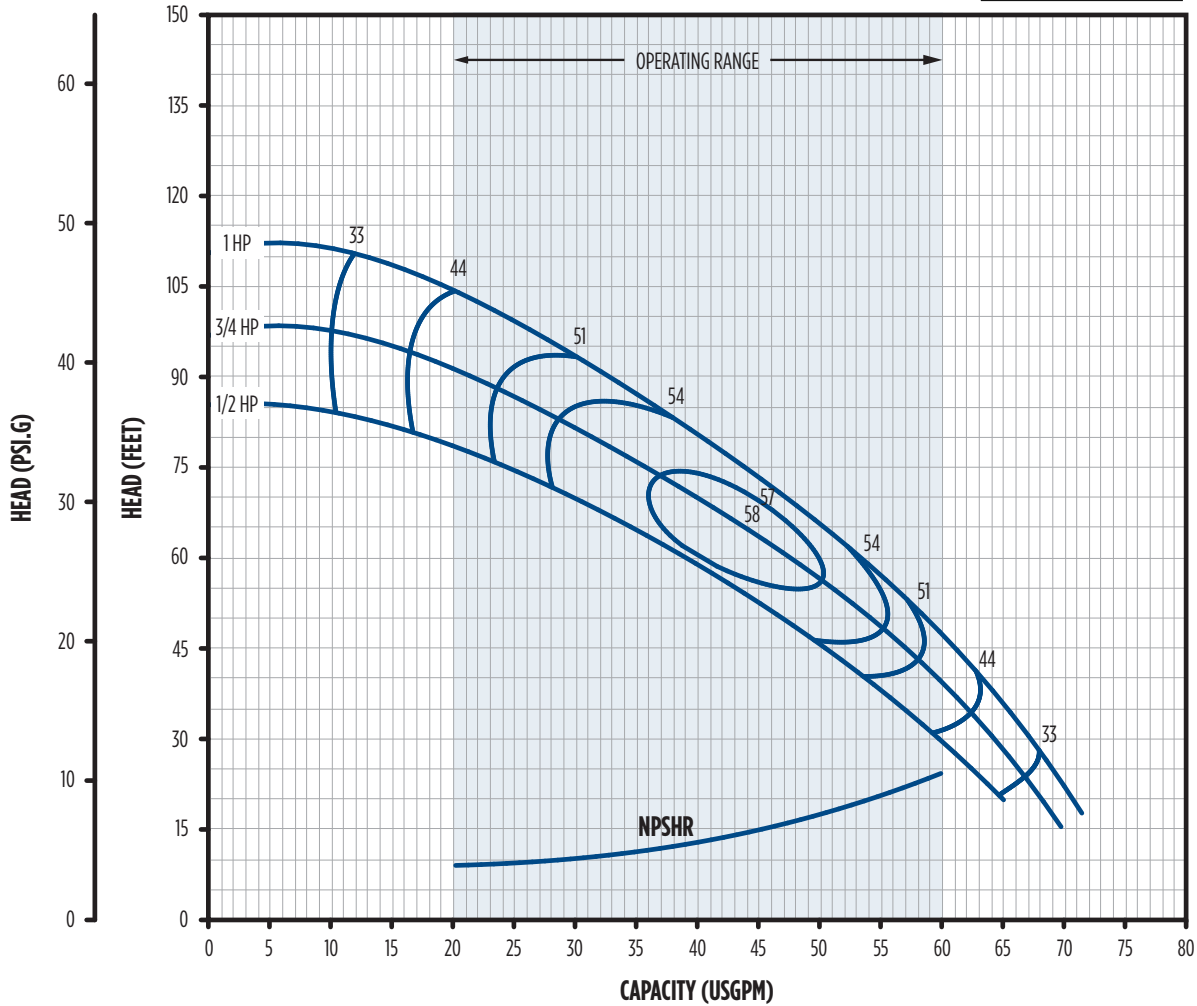


## PERFORMANCE

DRIS-CP

PEI<sub>CL</sub> Number

0.90



DRIS-CP	HP	PEI	Volute	Impeller	Seal Type	Fluid Max °F	Capacity in GPM at Total Feet of Head Indicated										Max (PSI)
							30	40	50	60	70	80	90	100	110	120	
DRIS05-CP	1/2	0.90	CI	PL	1	120	59.3	53.3	46.6	38.9	29.5	-	-	-	-	-	37.0
DRIS07-CP	3/4	0.90	CI	PL	1	120	63.9	58.9	53.5	47.5	40.6	32.3	20.9	-	-	-	42.0
DRIS1-CP	1	0.90	CI	PL	1	120	-	63.2	58.4	53.2	47.4	40.9	33.3	23.7	-	-	48.0

Enclosure	RPM	Phase	Voltage	HP	S.F.	S.F. Amps			Imp. Dia.	Order No.	Model No.	Wt. (lbs)
						115	230	460				
ODP	3600	1	115/230	1/2	1.90	12.4	6.1	-	4.70	97110005	DRIS05-CP	36
				3/4	1.65	14.8	7.3	-	5.00	97110007	DRIS07-CP	39
				1	1.65	19.9	9.9	-	5.36	97110010	DRIS1-CP	43
		3	230/460	1/2	1.90	-	3.1	1.4	4.70	97113005	DRIS05-CP-T	35
				3/4	1.65	-	3.6	1.7	5.00	97113007	DRIS07-CP-T	38
				1	1.65	-	4.7	2.3	5.36	97113010	DRIS1-CP-T	40

Volute	CI	Cast Iron, ASTM-A48, Class 30, 1-1/4" x 1"
Impeller	PL	Polyphenylene Ether Polystyrene Modified (PPE+PS 30%GF)
Mechanical Seal Types	1	Phenolic x Ceramic x Nitrile x SS
Motor Configurations	48Y	Square Flange with 1/2" threaded SS shaft, impeller mounts directly on motor shaft

# CENTRIFUGAL PUMPS

CLOSE-COUPLED DR SERIES

MENU

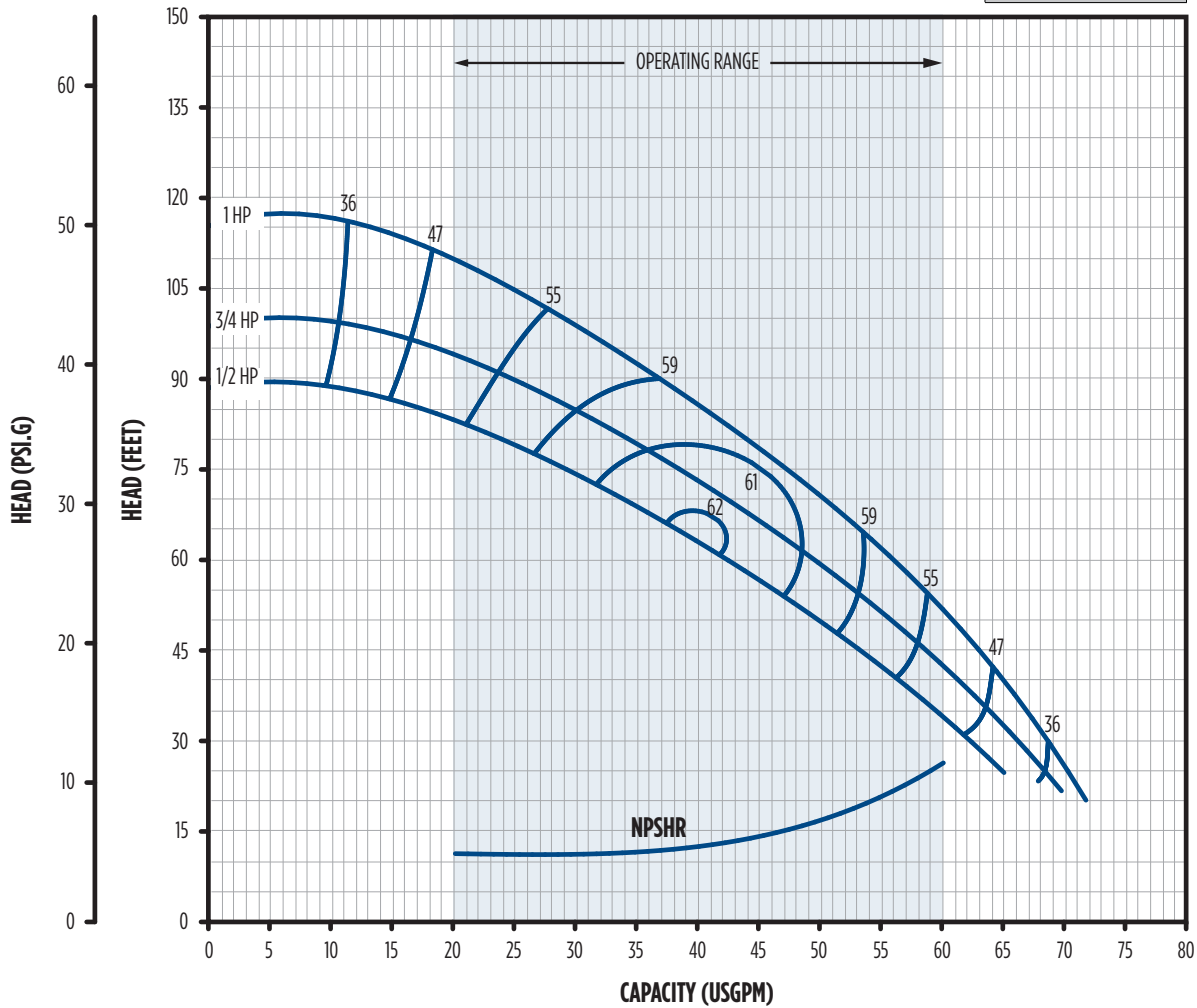


## PERFORMANCE

DRIS-SP

PEI<sub>CL</sub> Number

0.87



DRIS-SP	HP	PEI	Volute	Impeller	Seal Type	Fluid Max °F	Capacity in GPM at Total Feet of Head Indicated										Max (PSI)
							30	40	50	60	70	80	90	100	110	120	
DRIS05-SP	1/2	0.87	SS	PL	1	120	61.4	55.9	49.7	42.7	34.5	-	-	-	-	-	38.4
DRIS07-SP	3/4	0.87	SS	PL	1	120	65.7	60.6	55.2	49.1	42.2	33.9	23.0	-	-	-	42.8
DRIS1-SP	1	0.87	SS	PL	1	120	-	65.4	60.6	55.4	49.8	43.7	36.9	28.9	-	-	50.1

Enclosure	RPM	Phase	Voltage	HP	S.F.	S.F. Amps			Imp. Dia.	Order No.	Model No.	Wt. (lbs)
						115	230	460				
ODP	3600	1	115/230	1/2	1.90	12.4	6.1	-	4.70	97110105	DRIS05-SP	35
				3/4	1.65	14.8	7.3	-	5.00	97110107	DRIS07-SP	38
				1	1.65	19.9	9.9	-	5.36	97110110	DRIS1-SP	42
		3	230/460	1/2	1.90	-	3.1	1.4	4.70	97113105	DRIS05-SP-T	34
				3/4	1.65	-	3.6	1.7	5.00	97113107	DRIS07-SP-T	37
				1	1.65	-	4.7	2.3	5.36	97113110	DRIS1-SP-T	39

Volute	SS	Stainless steel, 1-1/4" x 1"
Impeller	PL	Polyphenylene Ether Polystyrene Modified (PPE+PS 30%GF)
Mechanical Seal Types	1	Phenolic x Ceramic x Nitrile x SS
Motor Configurations	48Y	Square Flange with 1/2" threaded SS shaft, impeller mounts directly on motor shaft

# CENTRIFUGAL PUMPS

CLOSE-COUPLED DR SERIES

MENU

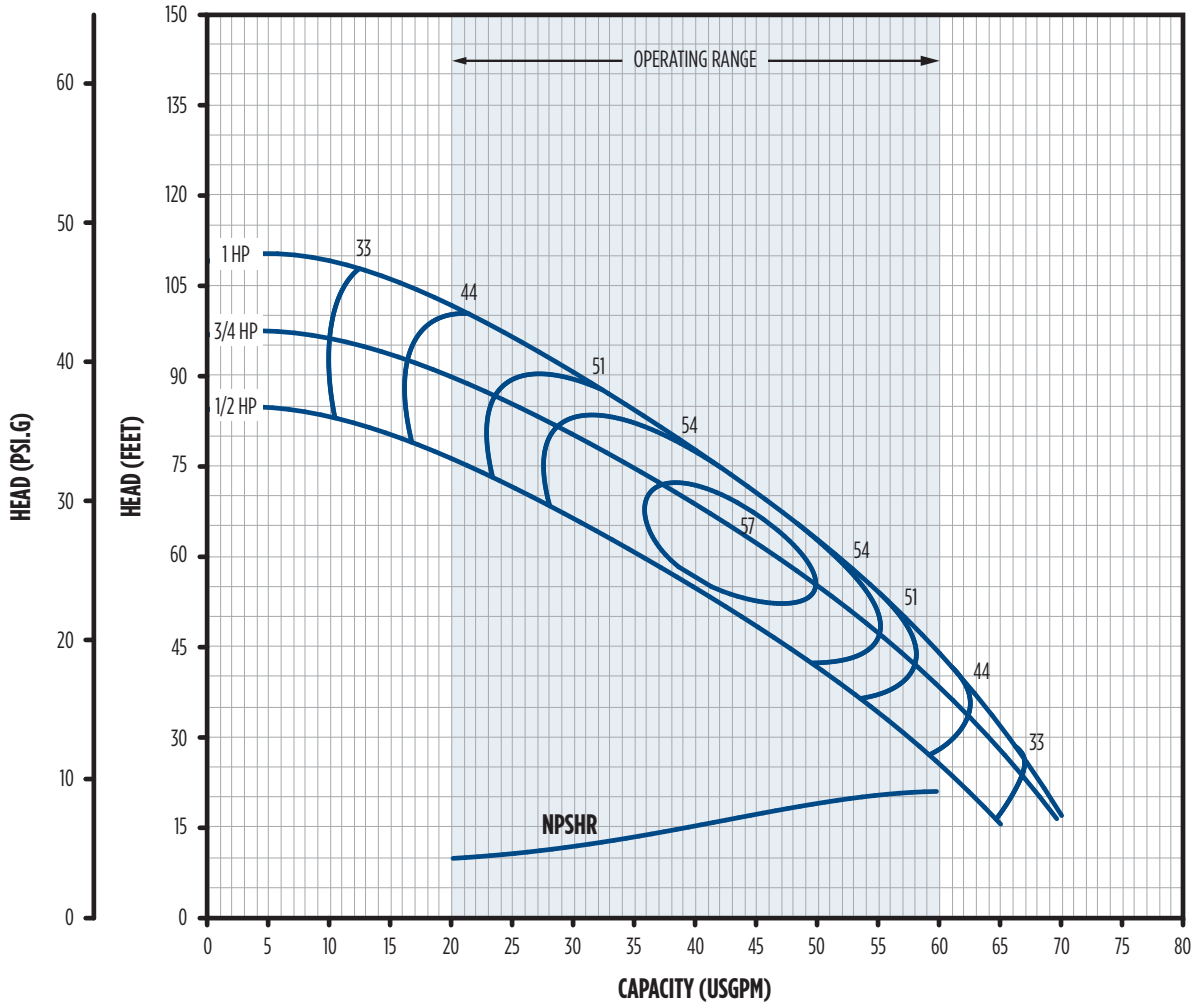


## PERFORMANCE

DRIC-CP

PEI<sub>CL</sub> Number

0.96



DRIC-CP	HP	PEI	Volute	Impeller	Seal Type	Fluid Max °F	Capacity in GPM at Total Feet of Head Indicated										Max (PSI)
							30	40	50	60	70	80	90	100	110	120	
DRIC05-CP	1/2	0.96	CI	PL	2	120	57.1	51.0	44.1	36.2	26.5	-	-	-	-	-	36.6
DRIC07-CP	3/4	0.96	CI	PL	2	120	63.7	58.5	52.9	46.6	39.4	30.8	18.9	-	-	-	42.0
DRIC1-CP	1	0.96	CI	PL	2	120	-	62.1	56.9	51.3	45.2	38.4	30.7	21.4	-	-	47.3

Enclosure	RPM	Phase	Voltage	HP	S.F.	S.F. Amps			Imp. Dia.	Order No.	Model No.	Wt. (lbs)		
						115	230	460						
ODP	3600	1	115/230	1/2	1.60	11.8	5.9	-	4.70	97150005	DRIC05-CP	43		
				3/4	1.50	14.8	7.4	-	5.00	97150007	DRIC07-CP	45		
				1	1.40	16.8	8.4	-	5.36	97150010	DRIC1-CP	49		
		3	230/460	1/2	Consult Factory									
				3/4	Consult Factory									
				1	Consult Factory									

Volute	CI	Cast Iron, ASTM-A48, Class 30, 1-1/4" x 1"
Impeller	PL	Polyphenylene Ether Polystyrene Modified (PPE+PS 30%GF)
Mechanical Seal Types	2	GL-SiC x GL-SiC x FKM x SS
Motor Configurations	56C	Round flange - keyed shaft, impeller mounts to shaft coupling with 1/2" threads

# CENTRIFUGAL PUMPS

CLOSE-COUPLED DR SERIES

MENU

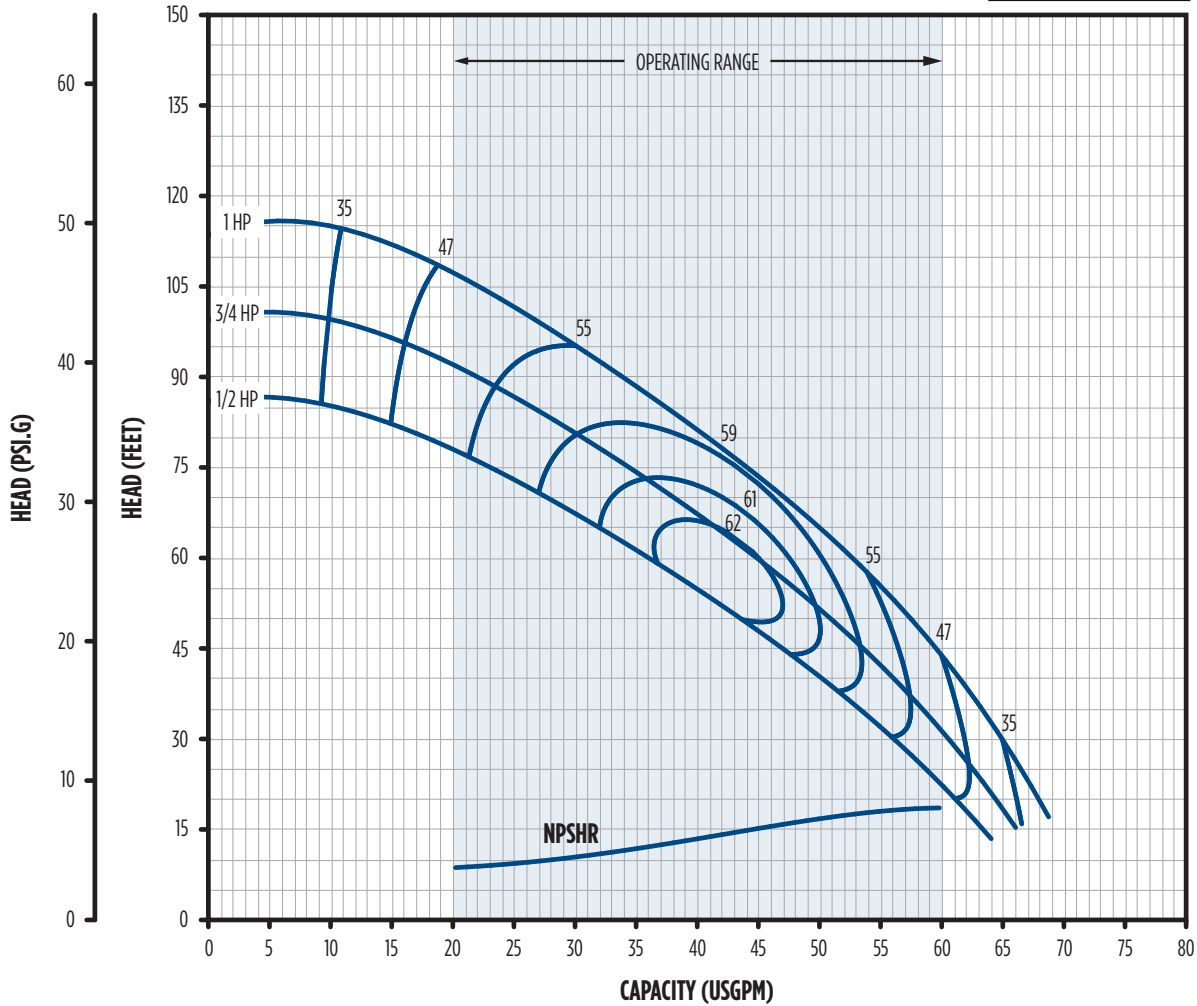


## PERFORMANCE

DR1C-SS

PEI<sub>CL</sub> Number

0.82



DR1C-SS	HP	PEI	Volute	Impeller	Seal Type	Fluid Max °F	Capacity in GPM at Total Feet of Head Indicated										Max (PSI)
							30	40	50	60	70	80	90	100	110	120	
DR1C05-SS	1/2	0.82	SS	SS	2	180	55.8	50.1	43.8	36.7	28.0	-	-	-	-	-	37.3
DR1C07-SS	3/4	0.82	SS	SS	2	180	60.9	55.9	50.6	44.7	38.2	30.8	21.9	-	-	-	43.2
DR1C1-SS	1	0.82	SS	SS	2	180	-	61.8	57.2	52.2	46.8	40.9	34.3	26.5	-	-	49.2

Enclosure	RPM	Phase	Voltage	HP	S.F.	S.F. Amps			Imp. Dia.	Order No.	Model No.	Wt. (lbs)		
						115	230	460						
ODP	3600	1	115/230	1/2	1.60	11.8	5.9	-	4.70	97150305	DR1C05-SS	43		
				3/4	1.50	14.8	7.4	-	5.00	97150307	DR1C07-SS	45		
				1	1.40	16.8	8.4	-	5.36	97150310	DR1C1-SS	49		
		3	230/460	1/2	Consult Factory									
				3/4										
				1										

Volute	SS	Stainless steel
Impeller	SS	Stainless steel
Mechanical Seal Types	2	GL-SiC x GL-SiC x FKM x SS
Motor Configurations	56C	Round flange - keyed shaft, impeller mounts to shaft coupling with 1/2" threads

# CENTRIFUGAL PUMPS

CLOSE-COUPLED DR SERIES

MENU

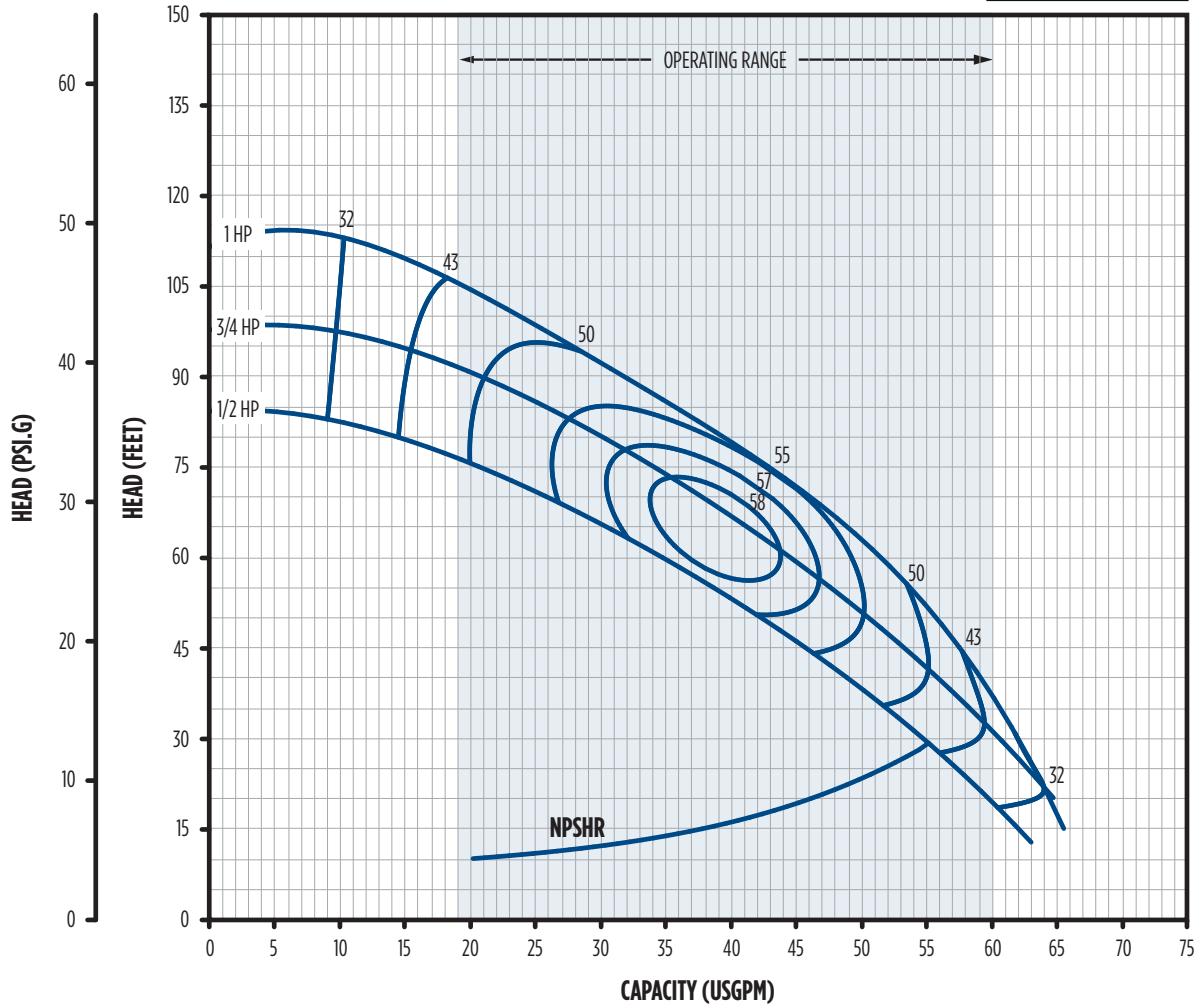


## PERFORMANCE

DR1J-CS

PEI<sub>CL</sub> Number

0.91



DR1J-CS	HP	PEI	Volute	Impeller	Seal Type	Fluid Max °F	Capacity in GPM at Total Feet of Head Indicated										Max (PSI)
							30	40	50	60	70	80	90	100	110	120	
DR1J05-CS	1/2	1.00	CI	SS	2	160	54.7	48.8	42.2	34.8	25.9	-	-	-	-	-	36.5
DR1J07-CS	3/4	1.00	CI	SS	2	160	60.4	55.7	50.5	44.8	38.2	30.4	20.0	-	-	-	42.4
DR1J1-CS	1	1.00	CI	SS	2	160	-	58.3	54.3	50.0	45.2	39.8	33.4	25.2	-	-	48.4

Enclosure	RPM	Phase	Voltage	HP	S.F.	S.F. Amps			Imp. Dia.	Order No.	Model No.	Wt. (lbs)
						115	230	460				
ODP	3600	1	115/230	1/2	1.60	11.8	5.9	-	4.70	97120205	DR1J05-CS	39
				3/4	1.50	14.8	7.4	-	5.00	97120207	DR1J07-CS	41
				1	1.40	16.2	8.1	-	5.36	97120210	DR1J1-CS	44
		3	230/460	1/2	1.60	-	2.7	1.4	4.70	97123205	DR1J05-CS-T	38
				3/4	1.50	-	3.4	1.7	5.00	97123207	DR1J07-CS-T	41
				1	1.40	-	4.0	2.0	5.36	97123210	DR1J1-CS-T	44

Volute	CI	Cast Iron, ASTM-A48, Class 30, 1-1/4" x 1"
Impeller	SS	Stainless steel
Mechanical Seal Types	2	GL-SiC x GL-SiC x FKM x SS
Motor Configurations	56J	Round flange with 7/16" threaded shaft, impeller mounts directly on motor shaft



# CENTRIFUGAL PUMPS

CLOSE-COUPLED DR SERIES

MENU

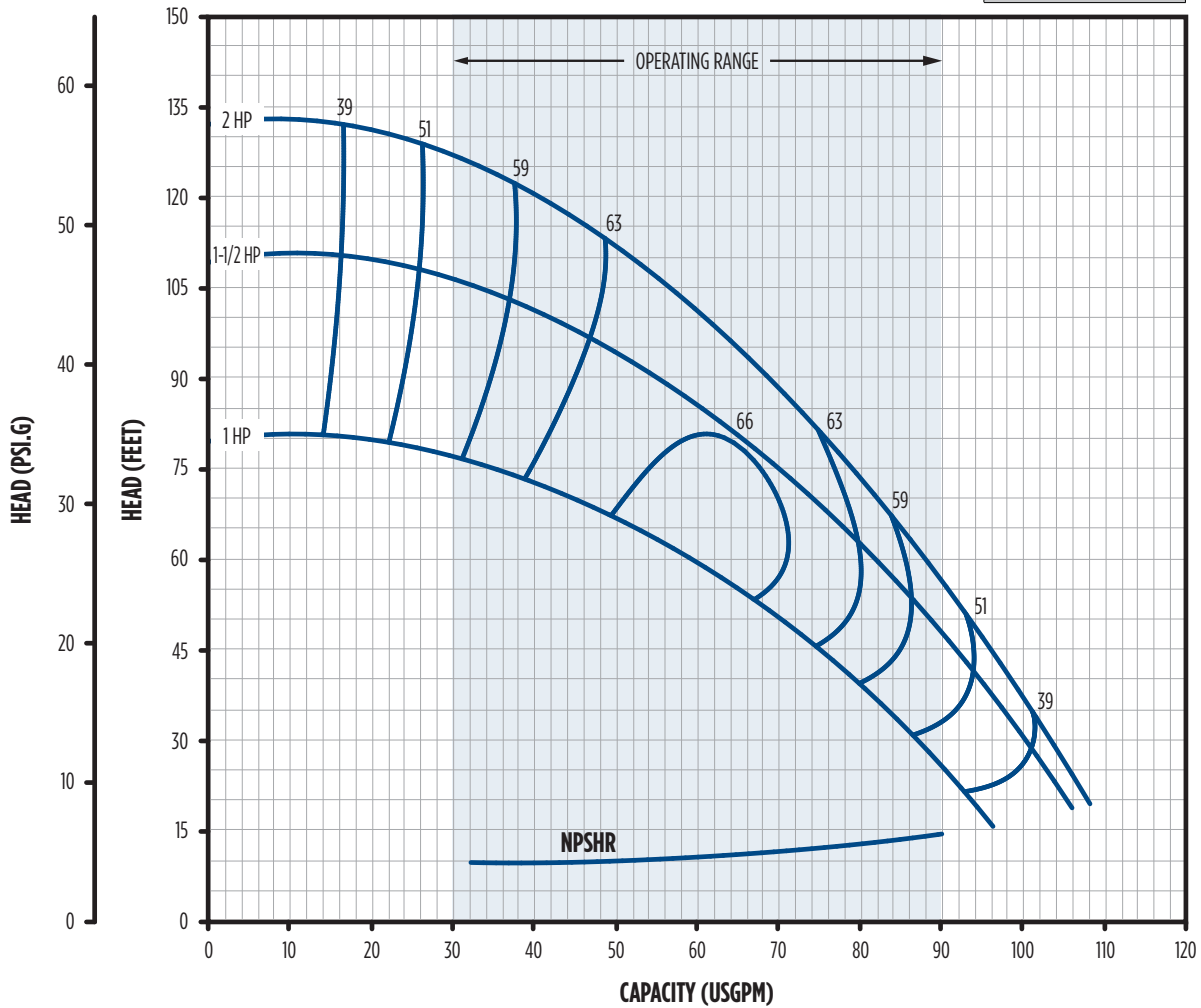


## PERFORMANCE

DR2S-CS

PEI<sub>CL</sub> Number

0.83



DR2S-CS	HP	PEI	Volute	Impeller	Seal Type	Fluid Max °F	Capacity in GPM at Total Feet of Head Indicated									Max (PSI)	
							30	40	50	60	70	80	90	100	110		120
DR2S1-CS	1	0.83	CI	SS	1	120	86.6	78.7	69.8	59.2	45.4	-	-	-	-	-	34.5
DR2S15-CS	1-1/2	0.83	CI	SS	1	120	-	94.3	88.1	81.4	73.9	65.5	55.4	42.4	-	-	47.4
DR2S2-CS	2	0.83	CI	SS	1	120	-	-	93.3	87.8	82.0	75.7	68.8	61.0	51.9	40.5	57.3

Enclosure	RPM	Phase	Voltage	HP	S.F.	S.F. Amps			Imp. Dia.	Order No.	Model No.	Wt. (lbs)
						115	230	460				
ODP	3600	1	115/230	1	1.65	19.9	9.9	-	4.56	97130210	DR2S1-CS	46
				1-1/2	1.47	24.0	12.1	-	5.25	97130215	DR2S15-CS	46
			2	1.30	-	11.2	-	5.75	97130220	DR2S2-CS	54	
		3	230/460	1	1.65	-	4.7	2.3	4.56	97133210	DR2S1-CS-T	43
				1-1/2	1.47	-	6.8	3.3	5.25	97133215	DR2S15-CS-T	47
				2	1.30	-	8.5	4.2	5.75	97133220	DR2S2-CS-T	49

Volute	CI	Cast Iron, ASTM-A48, Class 30, 1-1/2" x 1-1/4"
Impeller	SS	Stainless Steel
Mechanical Seal Types	1	Phenolic x Ceramic x Nitrile x SS
Motor Configurations	48Y	Square Flange with 1/2" threaded SS shaft, impeller mounts directly on motor shaft

# CENTRIFUGAL PUMPS

CLOSE-COUPLED DR SERIES

MENU

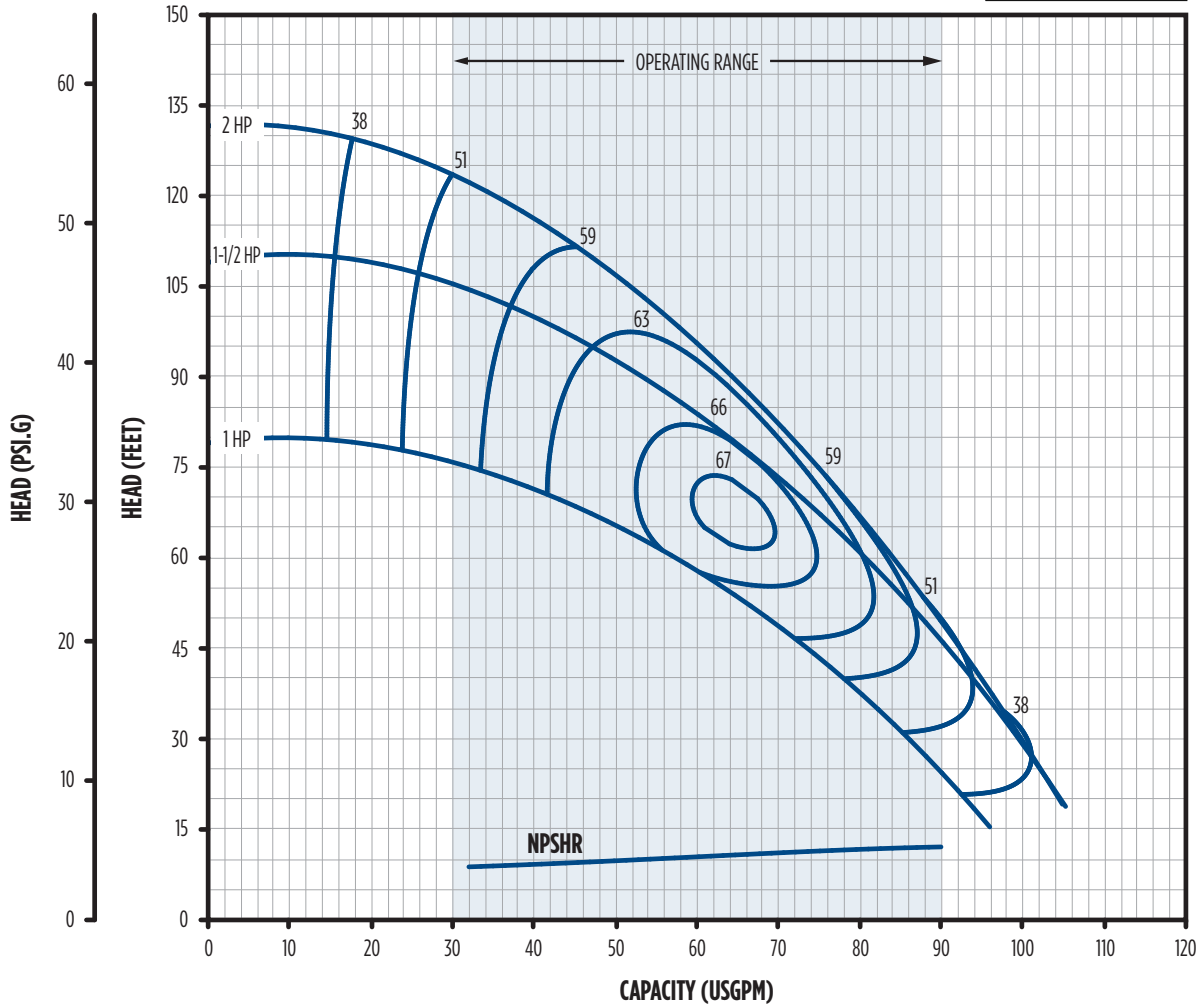


## PERFORMANCE

DR2C-CS

PEI<sub>CL</sub> Number

0.90



DR2C-CS	HP	PEI	Volute	Impeller	Seal Type	Fluid Max °F	Capacity in GPM at Total Feet of Head Indicated										Max (PSI)
							30	40	50	60	70	80	90	100	110	120	
DR2C1-CS	0.9	CI	SS	2	180	56C	86	78	68	57	43	-	-	-	-	-	34
DR2C15-CS	0.90	CI	SS	2	180	56C	-	93	87	80	73	64	54	40	-	-	47
DR2C2-CS	0.9	CI	SS	2	180	56C	-	-	90	84	78	72	64	56	47	35	57

Enclosure	RPM	Phase	Voltage	HP	S.F.	S.F. Amps			Imp. Dia.	Order No.	Model No.	Wt. (lbs)		
						115	230	460						
ODP	3600	1	115/230	1	1.40	-	-	-	4.56	97160210	DR2C1-CS	46		
				1-1/2	1.30	21.4	10.7	-	5.25	97160215	DR2C15-CS	55		
				2	1.40	-	12.9	-	5.75	97160220	DR2C2-CS	54		
		3	230/460	1	Consult Factory									
				1-1/2	Consult Factory									
				2	Consult Factory									

Volute	CI	Cast Iron, ASTM-A48, Class 30, 1-1/2" x 1-1/4"
Impeller	SS	Stainless Steel
Mechanical Seal Types	2	GL-SiC x GL-SiC x FKM x SS
Motor Configurations	56C	Round flange - keyed shaft, impeller mounts to shaft coupling with 1/2" threads

# CENTRIFUGAL PUMPS

CLOSE-COUPLED DR SERIES

MENU

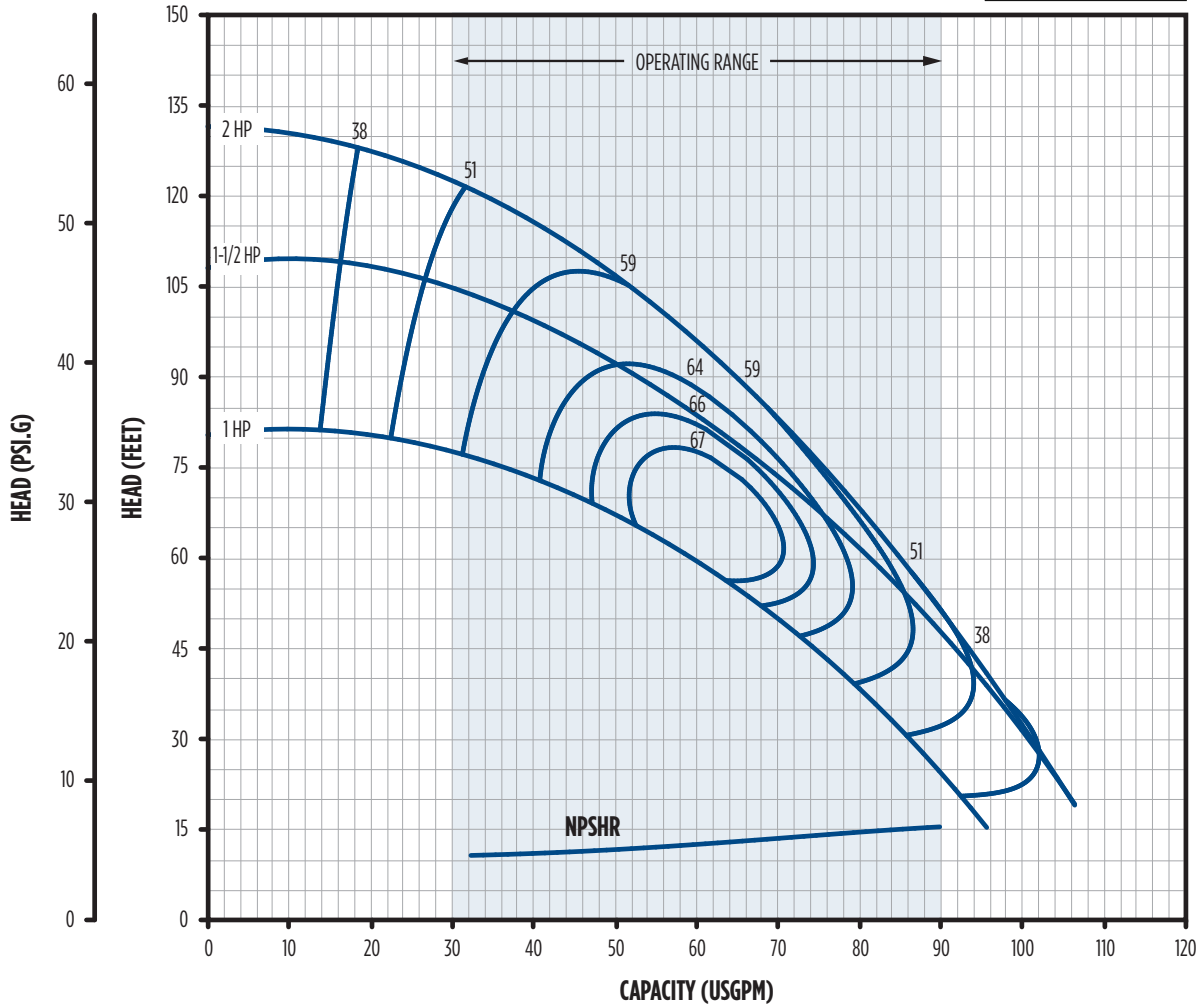


## PERFORMANCE

DR2J-CS

PEI<sub>CL</sub> Number

0.93



DR2J-CS	HP	PEI	Volute	Impeller	Seal Type	Fluid Max °F	Capacity in GPM at Total Feet of Head Indicated									Max (PSI)	
							30	40	50	60	70	80	90	100	110		120
DR2J1-CS	1	0.93	CI	SS	2	160	86.0	78.4	69.8	59.6	46.4	-	-	-	-	-	34.9
DR2J15-CS	1½	0.93	CI	SS	2	160	-	94.9	88.3	81.1	73.1	64.1	53.3	39.3	-	-	47.0
DR2J2-CS	2	0.93	CI	SS	2	160	-	-	90.8	85.1	78.9	72.2	64.9	56.5	46.7	34.2	57.1

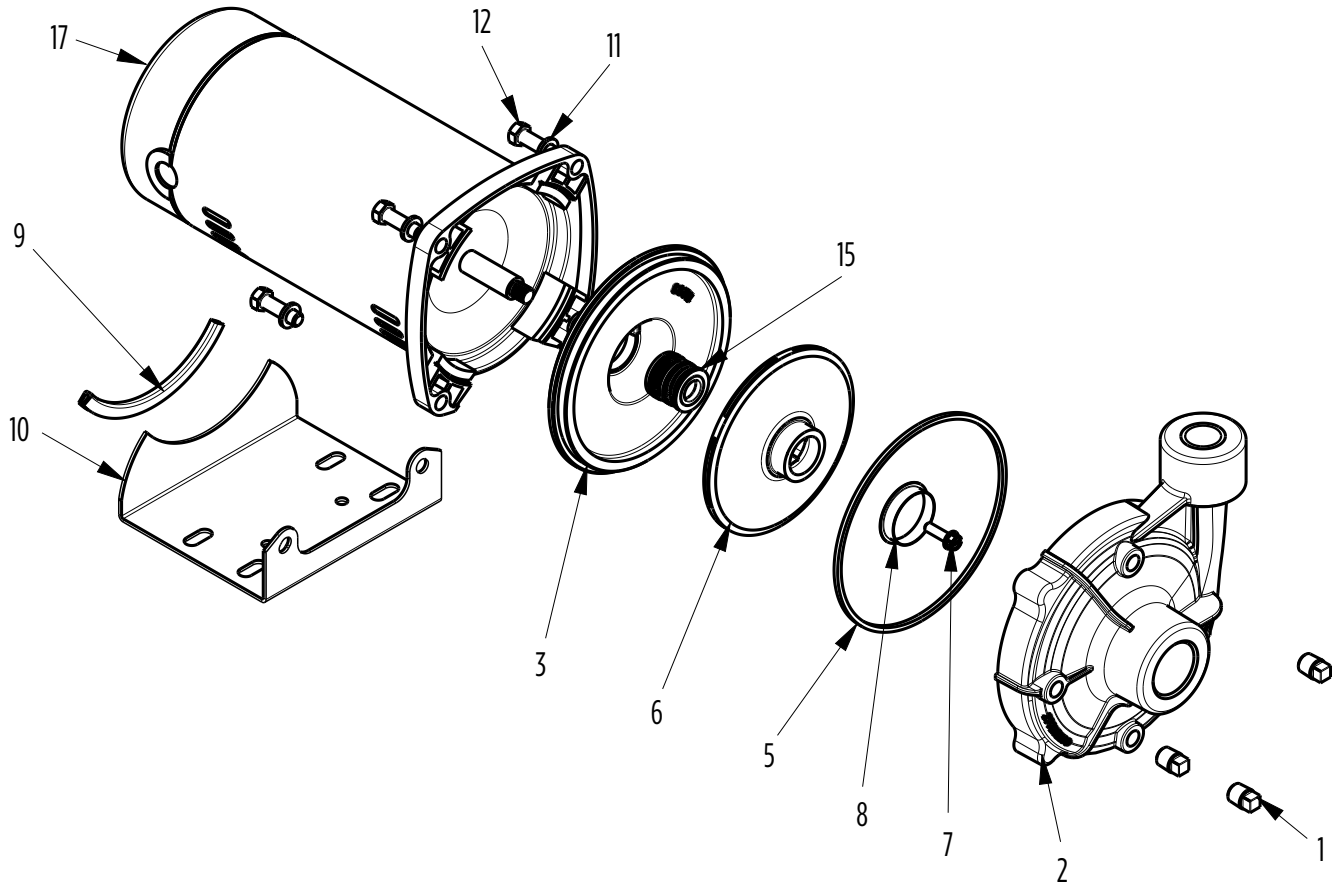
Enclosure	RPM	Phase	Voltage	HP	S.F.	S.F. Amps			Imp. Dia.	Order No.	Model No.	Wt. (lbs)
						115	230	460				
ODP	3600	1	115/230	1	1.40	16.2	8.1	-	4.56	97140210	DR2J1-CS	46
				1-1/2	1.30	21.4	10.7	-	5.25	97140215	DR2J15-CS	55
			2	1.40	-	12.9	-	5.75	97140220	DR2J2-CS	54	
		3	230/460	1	1.40	-	4.0	2.0	4.56	97143210	DR2J1-CS-T	46
				1-1/2	1.30	-	6.8	3.4	5.25	97143215	DR2J15-CS-T	50
				2	1.30	-	8.5	4.2	5.75	97133220	DR2S2-CS-T	49

Volute	CI	Cast Iron, ASTM-A48, Class 30, 1-1/2" x 1-1/4"
Impeller	SS	Stainless Steel
Mechanical Seal Types	2	GL-SiC x GL-SiC x FKM x SS
Motor Configurations	56J	Round flange with 7/16" threaded shaft, impeller mounts directly on motor shaft

# CENTRIFUGAL PUMPS

CLOSE-COUPLED DR SERIES

☰ MENU



## MATERIALS AND PARTS

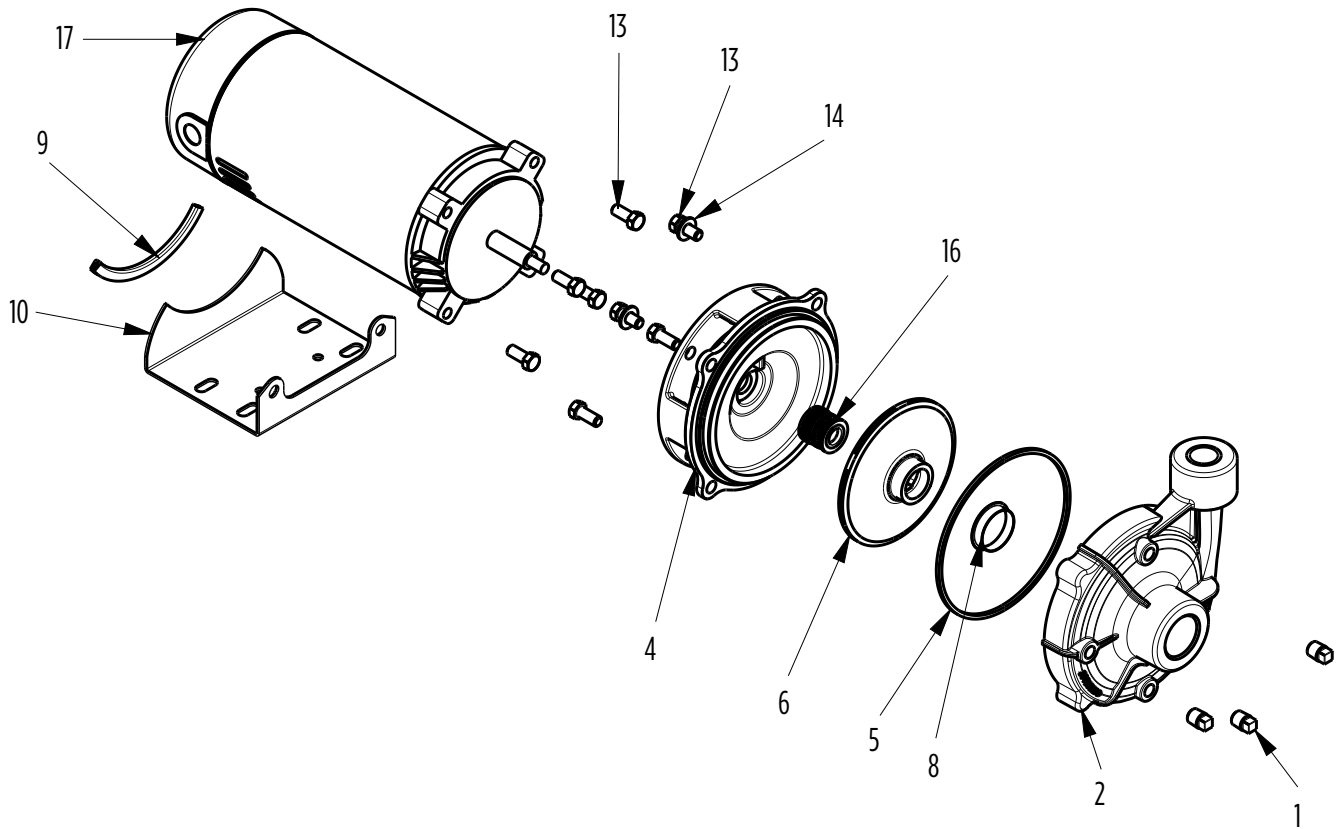
### DRIS/DR2S - SQUARE FLANGE

Fig. No.	Part Description	Order No.		
		DRIS-CP	DRIS-SP	DR2S-CS
1,2	Volute, Includes Pipe Plugs	305617102	305617101	305617201
3	Seal Plate	305617104	305617103	305617104
5	Volute Case Square Ring		305373907	
6,8	Impeller & Wear Ring 1/2 HP		305617106	-
6,8	Impeller & Wear Ring 3/4 HP		305617107	-
6,8	Impeller & Wear Ring 1 HP		305617108	305617202
6,8	Impeller & Wear Ring 1-1/2 HP	-	-	305617203
6,8	Impeller & Wear Ring 2 HP	-	-	305617204
7	Impeller Bolt 1/4-20-0.88 L.H. THD. 3-PH		305373910	
8	Wear Ring		305373906	305617208
9	Base Protector		305373905	
9,10	Base, Includes Protector		305373904	
11,12	Hardware Kit		305617001	
11	Lockwasher 3/8" (qty. 4)		See Hardware Kit	
12	Bolt 3/8" X L.25" (qty. 4)			
15	Shaft Seal		305421907	
17	Motor (See Motor Specifications)		Square Flange	

# CENTRIFUGAL PUMPS

CLOSE-COUPLED DR SERIES

MENU



## MATERIALS AND PARTS

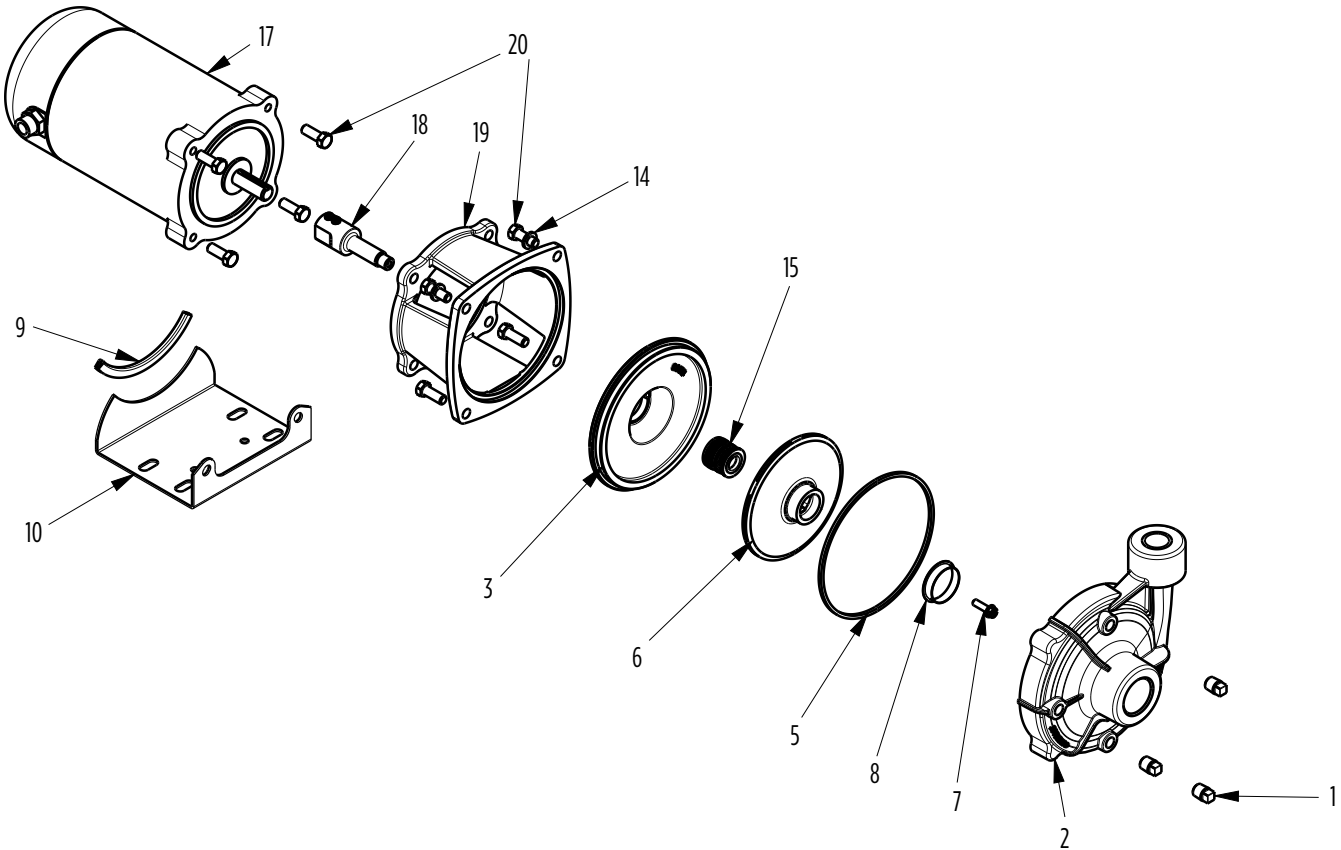
### DR1J/DR2J - 56J FRAME

Fig. No.	Part Description	Order No.	
		DR1J-CS	DR2J-CS
1,2	Volute, Includes Pipe Plugs	305617102	305617201
4	Bracket 56J	305617105	
5	Volute Case Square Ring	305373908	
6,8	Impeller & Wear Ring 1/2 HP	305617109	-
6,8	Impeller & Wear Ring 3/4 HP	305617110	-
6,8	Impeller & Wear Ring 1 HP	305617111	305617205
6,8	Impeller & Wear Ring 1-1/2 HP	-	305617206
6,8	Impeller & Wear Ring 2 HP	-	305617207
8	Wear Ring	305373906	305617208
9	Base Protector	305373905	
9,10	Base, Includes Protector	305373904	
1,13,14	Hardware Kit	305617002	
13	Bolt 3/8" x 0.88" (qty. 8)	See Hardware Kit	
14	Washer 3/8" (qty. 2)	See Hardware Kit	
16	Shaft Seal	305421004	
17	Motor (See Motor Specifications)	56J	

# CENTRIFUGAL PUMPS

CLOSE-COUPLED DR SERIES

MENU



## MATERIALS AND PARTS

### DRIC/DR2C - 56C FRAME

Fig. No.	Part Description	Order No.		
		DRIC-SS	DRIC-CP	DR2C-CS
1, 2	Volute, Includes Pipe Plugs	305617101	305617102	305617201
3	Seal Plate	305617103	305617104	
5	Square Ring	305373908	305373907	305373908
6, 8	Impeller & Wear Ring 1/2 HP	305617115	305617112	-
6, 8	Impeller & Wear Ring 3/4 HP	305617116	305617113	-
6, 8	Impeller & Wear Ring 1 HP	305617117	305617114	305617202
6, 8	Impeller & Wear Ring 1.5 HP	-	-	305617203
6, 8	Impeller & Wear Ring 2 HP	-	-	305617204
7	Impeller Bolt 1/4-20-0.88 L.H. THD. 3-PH	305373910		
8	Wear Ring	305373906		305617208
9	Base Protector	305373905		
9, 10	Base, Includes Protector	305373904		
14, 18, 19, 20	56C/48Y Conversion Kit	305373909		
1, 14, 20	Hardware Kit	305617003		
14	Washer 3/8" (qty. 2)	See Hardware Kit		
15	Shaft Seal	305421004	305421907	305421004
17	Motor (See Motor Specifications)	56C		
18	Coupling SS (Includes Set Screws)	305373916		
19	Motor Bracket	305373915		
20	Bolt 3/8" x 1.00" (qty. 8)	See Hardware Kit		

# CENTRIFUGAL PUMPS

CLOSE-COUPLED DR SERIES

☰ MENU



## MOTORS

3600 RPM Open Drip Proof - DRIS/DR2S						
Frame	Phase	HP	Volts	SF	Max or SF Amps	Motor Order No.
48Y Square Flange Thrd 1/2"	1	0.5	115/230	1.9	12.4/6.1	305374903
		0.75	115/230	1.65	14.8/7.3	305374906
		1	115/230	1.65	19.9/9.94	305374907
		1.5	115/230	1.47	24.0/12.1	305374909
		2	230	1.3	11.2	305446959
	3	0.5	230/460	1.9	3.1/1.4	305374954
		0.75	230/460	1.65	3.6/1.7	305374955
		1	230/460	1.65	4.7/2.34	305374956
		1.5	230/460	1.47	6.8/3.3	305374957
		2	230/460	1.3	8.5/4.24	305374958

3600 RPM Open Drip Proof - DR1J/DR2J						
Frame	Phase	HP	Volts	SF	Max or SF Amps	Motor Order No.
56J Round Flange Thrd 7/16"	1	0.5	115/230	1.6	11.8/5.9	305374914
		0.75	115/230	1.5	14.8/7.4	305374913
		1	115/230	1.4	16.2/8.1	305398901
		1.5	115/230	1.3	21.4/10.7	305398902
		2	230	1.4	12.9	305398903
	3	0.5	230/460	1.6	2.7/1.35	305374961
		0.75	230/460	1.5	3.4/1.7	305374962
		1	230/460	1.4	4.0/2.0	305398904
		1.5	230/460	1.3	6.8/3.4	305398905
		2	230/460	1.2	8.6/4.3	305398906

3600 RPM Open Drip Proof - DR1C/DR2C						
Frame	Phase	HP	Volts	SF	Max or SF Amps	Motor Order No.
56C Round Flange Keyed 5/8"	1	0.5	115/230	1.6	11.8/5.9	90102294R000
		0.75	115/230	1.5	14.8/7.4	90102302R000
		1	115/230	1.4	16.8/8.4	90102310R000
		1.5	115/230	1.3	18.4/9.1	305374964
		2	115/230	1.21	22.2/12.2	305374965

# CENTRIFUGAL PUMPS

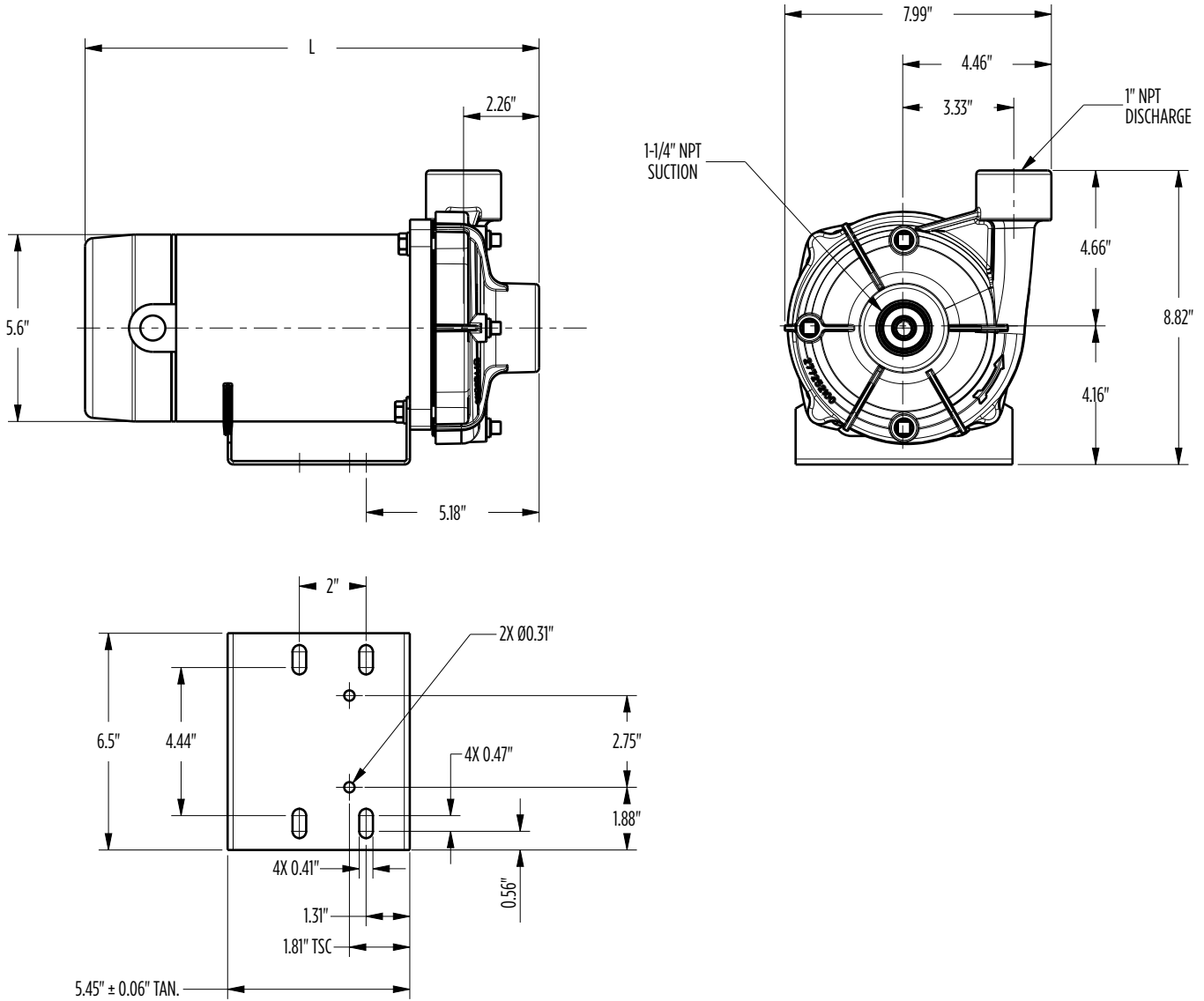
CLOSE-COUPLED DR SERIES

MENU



## DIMENSIONS

### DRIS SQUARE FLANGE



Model	HP	PH	L (in)	Suction	Discharge	Drain Ports (3)
DRIS05	1/2	1	13.61	1-1/4" NPT	1" NPT	1/4"
DRIS07	3/4		14.23			
DRIS1	1		15.11			
DRIS05	1/2	3	13.08	1-1/4" NPT	1" NPT	1/4"
DRIS07	3/4		13.73			
DRIS1	1		14.08			



# CENTRIFUGAL PUMPS

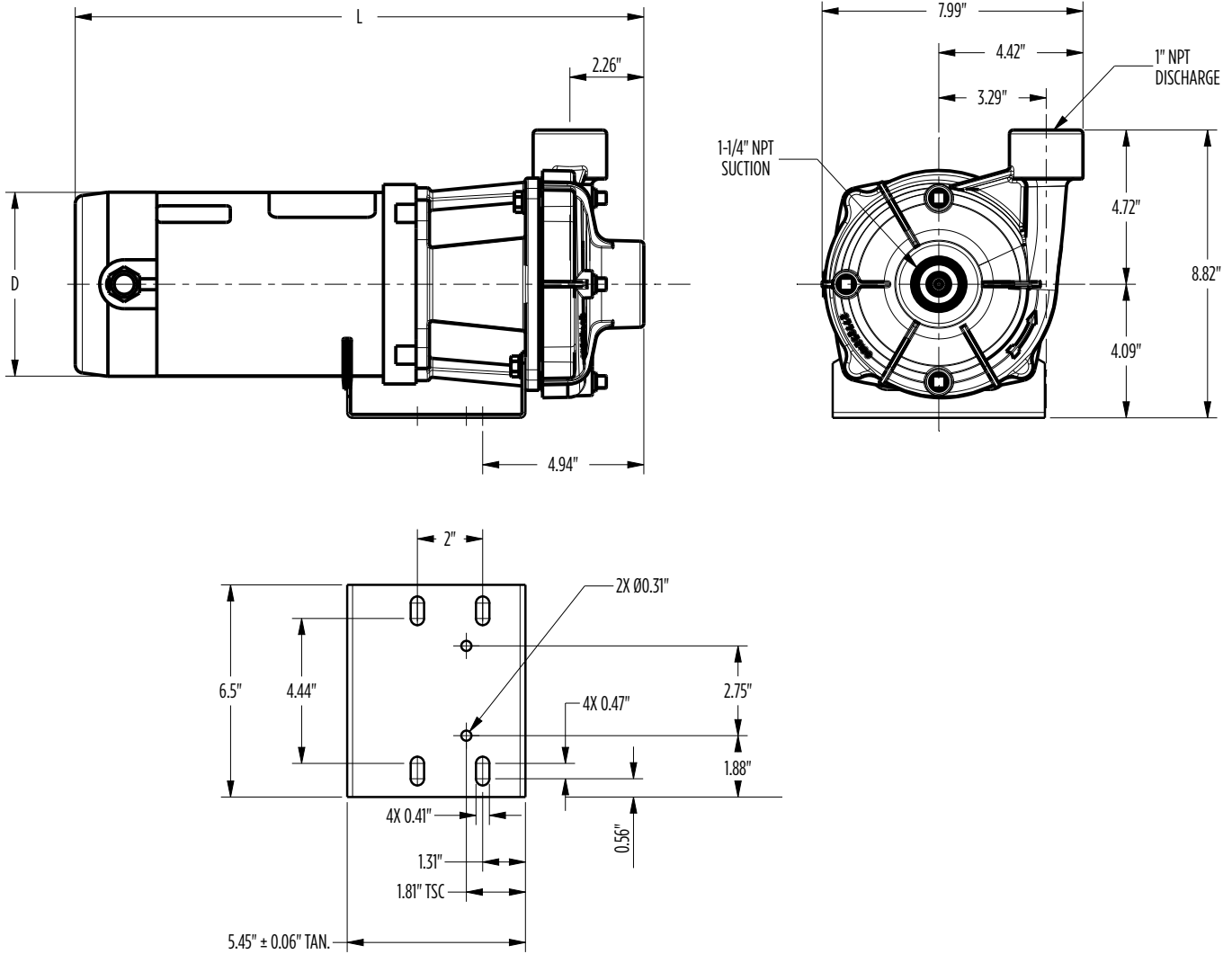
CLOSE-COUPLED DR SERIES

MENU



## DIMENSIONS

DR1C 56C FRAME



Model	HP	PH	L (in)	D (in)	Suction	Discharge	Drain Ports (3)
DR1C05	1/2	1	17.42	5.63	1-1/4" NPT	1" NPT	1/4"
DR1C07	3/4		17.82				
DR1C1	1		18.42				

# CENTRIFUGAL PUMPS

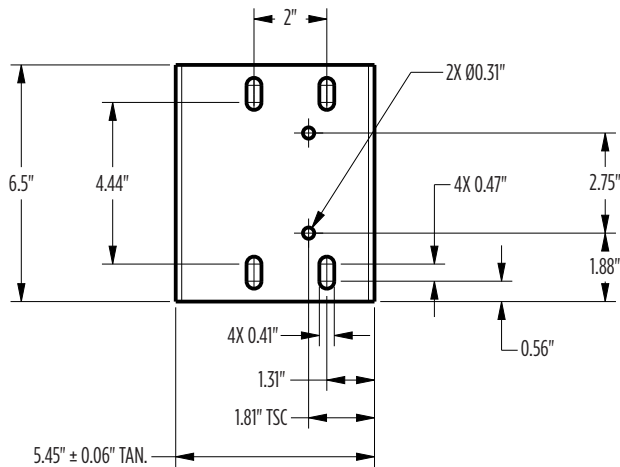
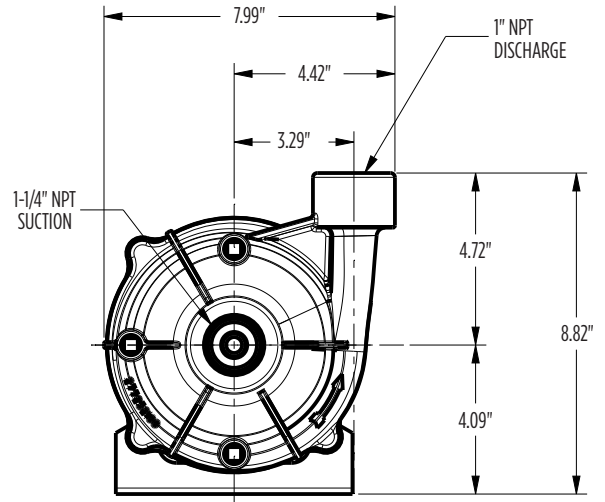
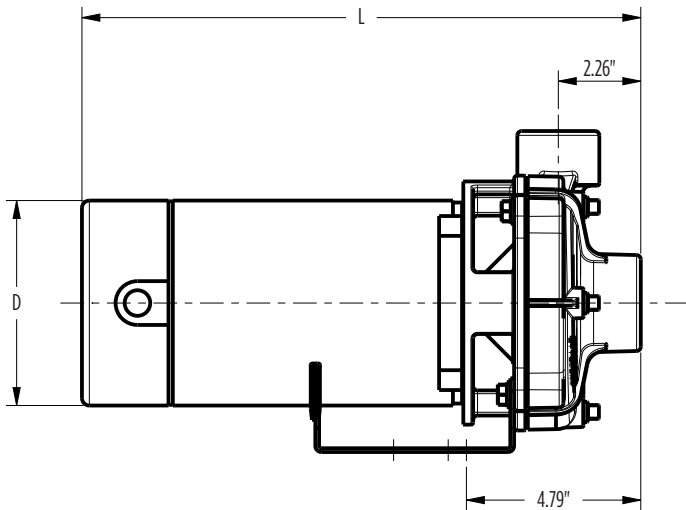
CLOSE-COUPLED DR SERIES

MENU



## DIMENSIONS

DR1J 56J FRAME



Model	HP	PH	L (in)	D (in)	Suction	Discharge	Drain Ports (3)
DR1J05	1/2	1	15.35	5.63	1-1/4" NPT	1" NPT	1/4"
DR1J07	3/4		16.06				
DR1J1	1		16.17				
DR1J05	1/2	3	13.5	5.88			
DR1J07	3/4		14				
DR1J1	1		14.56				

# CENTRIFUGAL PUMPS

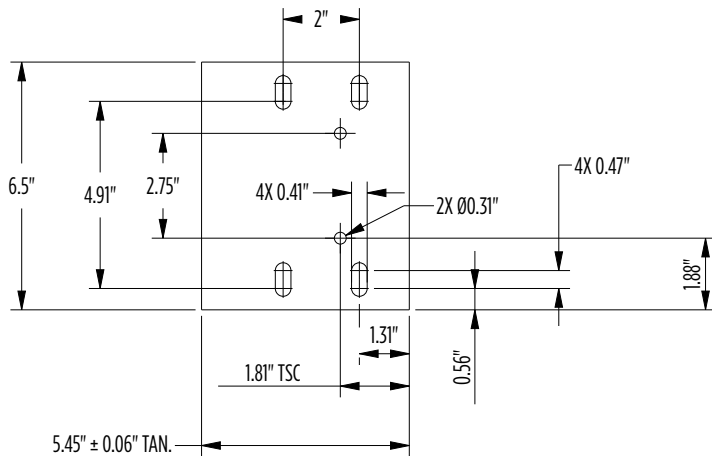
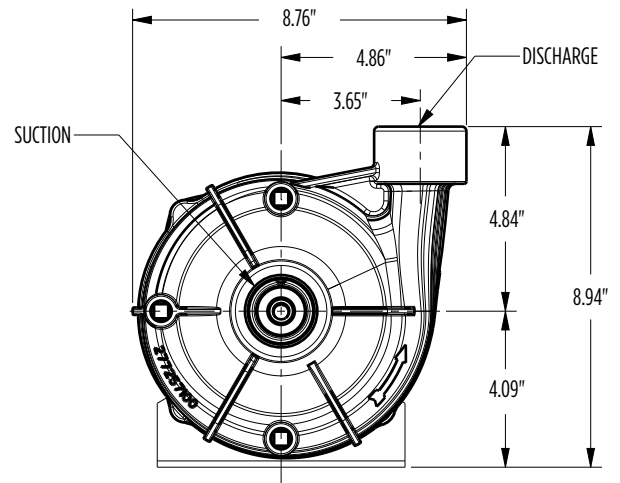
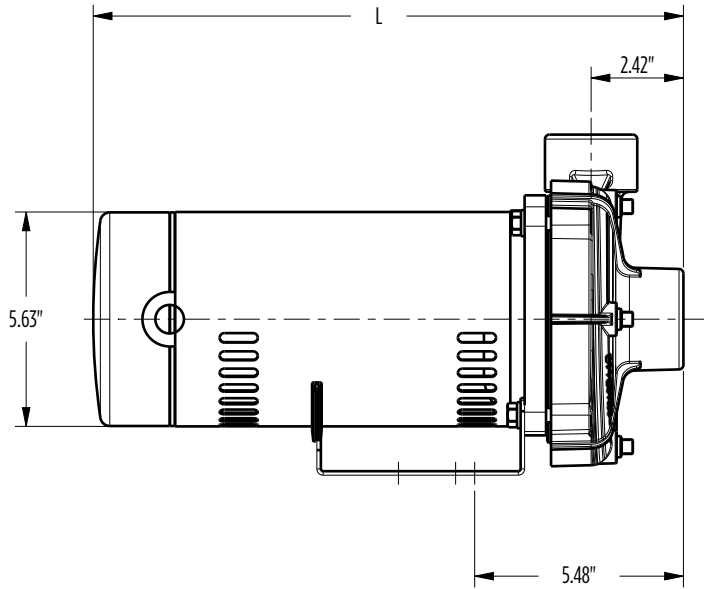
CLOSE-COUPLED DR SERIES

MENU



## DIMENSIONS

### DR2S SQUARE FLANGE



Model	HP	PH	L (in)	Suction	Discharge	Drain Ports (3)
DR2S1	1	1	15.48	1-1/2" NPT	1-1/4" NPT	1/4"
DR2S15	1-1/2		16.23			
DR2S2	2		17.45			
DR2S1	1	3	14.45			
DR2S15	1-1/2		15.45			
DR2S2	2		16.2			

# CENTRIFUGAL PUMPS

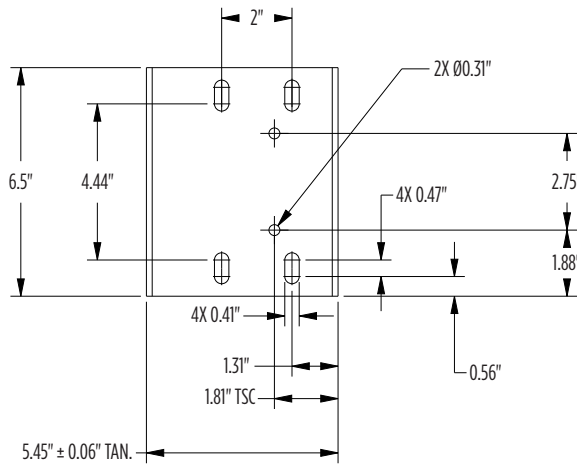
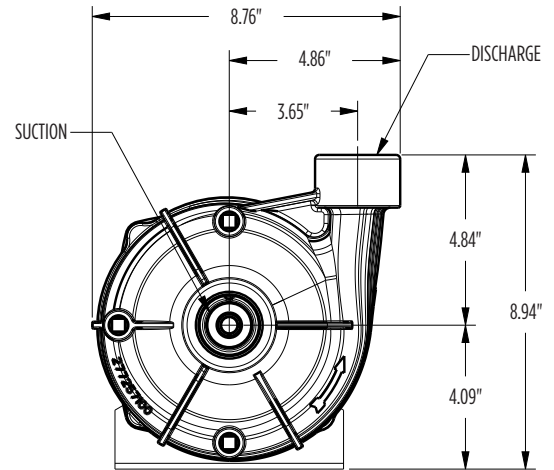
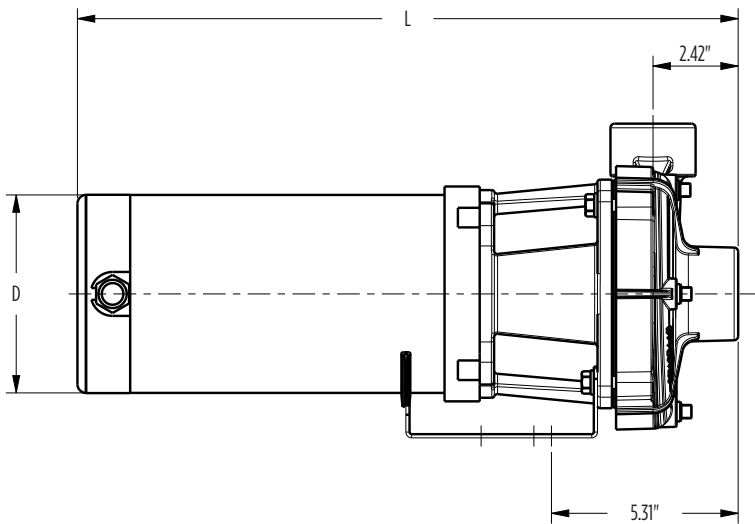
CLOSE-COUPLED DR SERIES

☰ MENU



## DIMENSIONS

### DR2C 56C FRAME



Model	HP	PH	L (in)	D (in)	Suction	Discharge	Drain Ports (3)
DR2C1	1	1	18.79	5.63	1-1/2" NPT	1-1/4" NPT	1/4"
DR2C15	1-1/2		19.29				
DR2C2	2		17.66				

# CENTRIFUGAL PUMPS

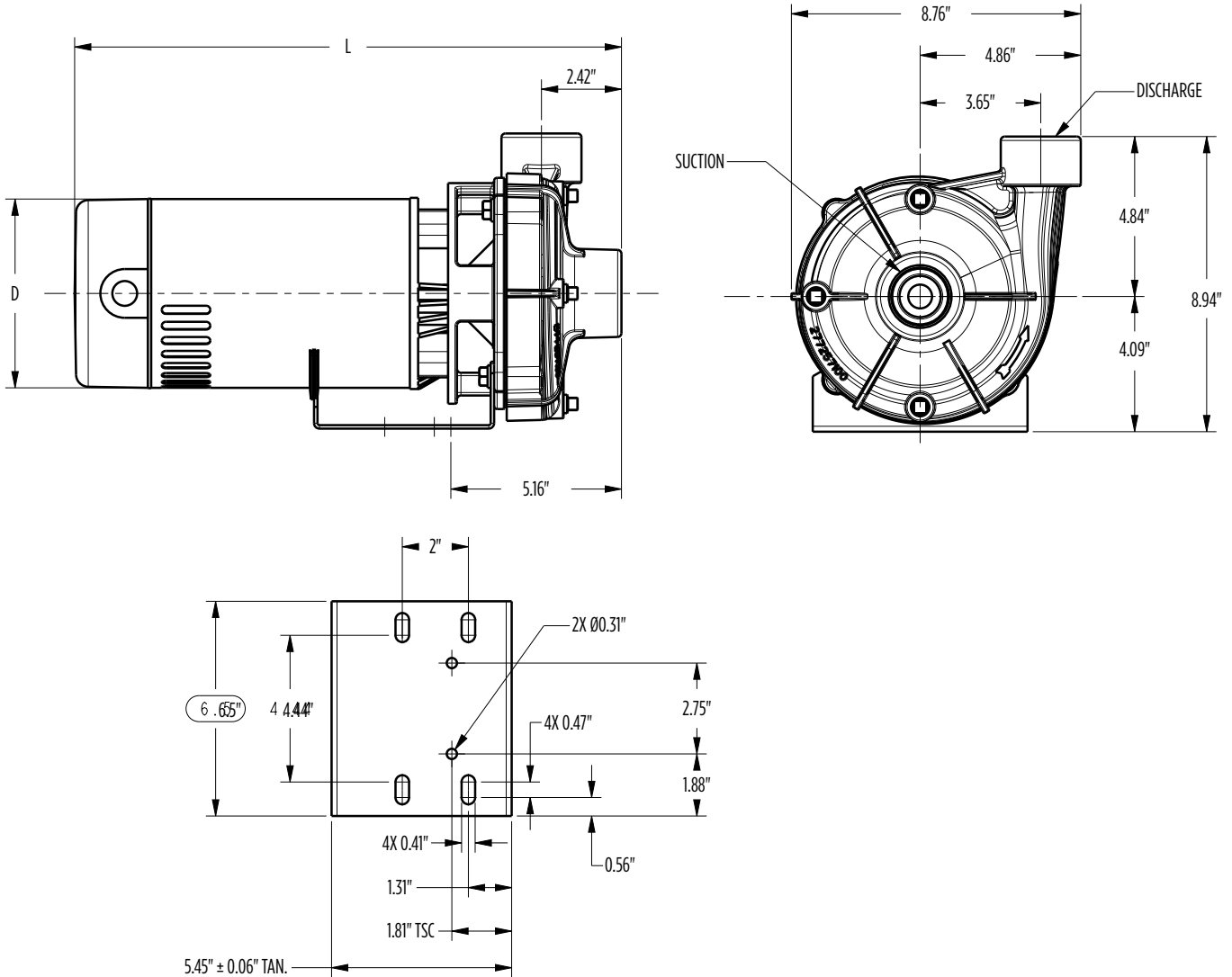
CLOSE-COUPLED DR SERIES

☰ MENU



## DIMENSIONS

DR2J 56J FRAME



Model	HP	PH	L (in)	D (in)	Suction	Discharge	Drain Ports (3)
DR2J1	1	1	16.55	5.63	1-1/2" NPT	1-1/4" NPT	1/4"
DR2J15	1-1/2		18.15				
DR2J2	2		18.15				
DR2J1	1	3	14.94				
DR2J15	1-1/2		16.56				
DR2J2	2		16.56				

# CENTRIFUGAL PUMPS

## CLOSE-COUPLED DR SERIES

☰ MENU



### PUMP END KITS

#### 56J ROUND FLANGE, THREADED SHAFT

Pump Series	Volute/Impeller	Motor	HP	Impeller Trim (in)	Order No.	Description	Wt. (lbs)
DR1J-CS	C.I./S.S.	56J	0.5	4.7	9712K205	DR1J05-CS-K	20
			0.75	5	9712K207	DR1J07-CS-K	20
			1	5.36	9712K210	DR1J1-CS-K	20
DR2J-CS	C.I./S.S.	56J	1	4.56	9714K210	DR2J1-CS-K	24
			1.5	5.25	9714K215	DR2J15-CS-K	24
			2	5.75	9714K220	DR2J2-CS-K	24

### PUMP END KITS

#### 56C ROUND FLANGE, KEYED SHAFT

Pump Series	Volute/Impeller	Motor	HP	Impeller Trim (in)	Order No.	Description	Wt. (lbs)
DR1C-SS	S.S./S.S.	56C	0.5	4.7	9715K305	DR1C05-SS-K	23
			0.75	5	9715K307	DR1C07-SS-K	23
			1	5.36	9715K310	DR1C1-SS-K	23
DR1C-CP	C.I./Plastic	56C	0.5	4.7	9715K005	DR1C05-CP-K	22
			0.75	5	9715K007	DR1C07-CP-K	22
			1	5.36	9715K010	DR1C1-CP-K	22
DR2C-CS	C.I./S.S.	56C	1	4.56	9716K210	DR2C1-CS-K	25
			1.5	5.25	9716K215	DR2C15-CS-K	25
			2	5.75	9716K220	DR2C2-CS-K	25

# NOTES

CLOSE-COUPLED DR SERIES





**Franklin Electric**