

Jet Parts

Shallow Well Jet Pump

Models CY, CCY & SWJ:

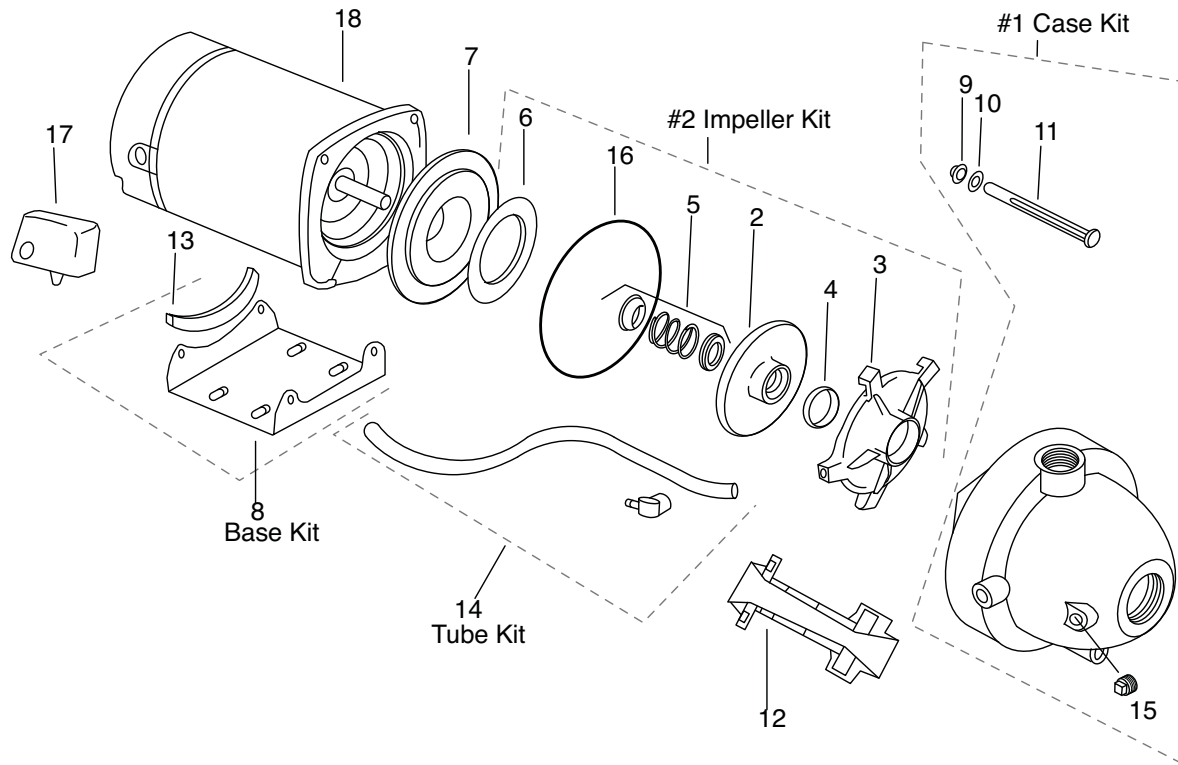


FIG. NO.	PART NO.	DESCRIPTION
1	03-0873-00-K	Case kit "P" plastic w/fasteners & plugs
	03-0892-08-K	Case kit "C" cast iron w/fasteners & plugs
Impeller kits include: impeller, diffuser, wear ring, mechanical seal, o-ring, disk - #2, 3, 4, 5, 6, 16		
2	05-3800-37-RKIT	Impeller kit #2794 @ 4.36D for S5CY - 5CCY
	05-3922-04-RKIT	Impeller kit #2794 @ 4.47D for 1/2 hp and S-3/4 hp unity
	05-3923-03-RKIT	Impeller kit #2794 @ 4.88D for 3/4 hp and S-1 hp unity
3	Diffuser	See #2, impeller kit
4	08-0845-19-06PK	Wear ring kit (6 ea. per kit)
5	10-0002-06	Mechanical seal 5/8 (also included in impeller kits)
6	Disk	See #2, impeller kit
7	11-1521-05-R	Seal plate 6.165" diameter
8	30-5373-901	Base assembly with rubber protector #13
*9, 10, 11	*14-4432-04-K	Fastener kit (all models)
12	18-0449-09-R	Nozzle & venturi assembly for 1/2 hp and S-3/4 hp unity
	18-0450-05-R	Nozzle & venturi assembly for 3/4 hp and S-1 hp unity
13	Rubber protector	See #8, base assembly
14	31-1197-04-K	Tube kit 1/4 x 14-1/2 poly-black w/barb fittings #14
15	31-0059-11-06PK	Plug 1/4" galvanized (available in 6 pack kit only)
16	47-0361-48-02PK	O-ring kit 6 x 6-3/8 x 3/16 (2 per kit)
17	PRSW2040	Pressure switch set 20-40
18	Motor	See motor selection page
19	12-1149-06-BLK	Handle 4.37 x 5.03 x 0.75 steel (not shown)
20	23-4857-09	Cord 6 ft (not shown)

*Fastener Kits #14443204K include the following;

"P" models 4 ea. 3/8-16 x 2-3/4 hex capscrews #11 - 4 ea. 3/8-16 hex nuts #9 - 4 ea. 3/8 lock-washers #10

"C" models 4 ea. 3/8-16 x 1.25 hex capscrews #11