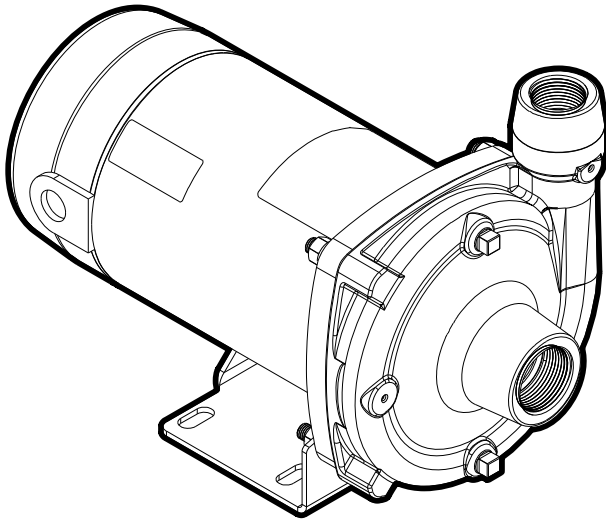


## Close-Coupled FCE 1/2 - 2 hp

**BOOK:** CCF-005  
**DATE:** Nov. 1, 2012



### Specifications:

**Capacities:** to 85 gpm

**Heads:** to 125 feet

**Working Pressure:** 75 psi max

**Temperature:** 160 °F max

**Rotation:** clockwise viewed from motor end

**Pipe Connections:** NPT

HP	Discharge	Suction
1/2 - 1-1/2	1"	1-1/4"
2	1-1/4"	1-1/2"

### Features:

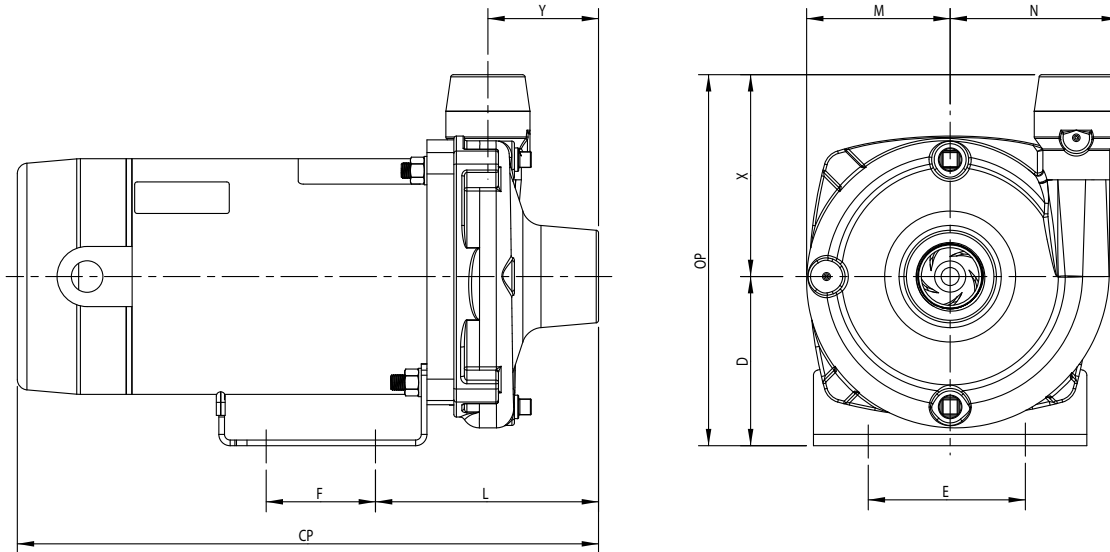
- **Volute:** Cast iron, can be rotated for ease of installation. Tapped openings provided for draining.
- **Impeller:** Enclosed design for high efficiency. Glass filled Noryl<sup>®</sup>, with stainless hub.
- **Seal:** Standard carbon/ceramic faces, BUNA elastomers and 300 series stainless components.
- **Motor:** 3600 rpm, 56-Z square flange, open-drip-proof. Designed for continuous operation.
- **Mounting:** Can be mounted in vertical or horizontal position.

### Applications:

- Water Circulation
- Booster Service
- Liquid Transfer
- Spraying Systems
- Jockey Pump
- General Service

## Close-Coupled FCE 1/2 - 2 hp

### Dimensional Drawings:



### Dimensions:

HP	Disch. (NPT)	Suct. (NPT)	CP	D	E	F	L	M	N	OP	X	Y
1/2	1	1-1/4	13.75	4.00	4.88	3.00	5.53	3.69	4.00	8.90	4.90	2.63
3/4	1	1-1/4	14.07	4.00	4.88	3.00	5.53	3.69	4.00	8.90	4.90	2.63
1	1	1-1/4	15.57	4.00	4.88	3.00	5.53	3.69	4.00	8.90	4.90	2.63
1-1/2	1	1-1/4	15.90	4.00	4.88	3.00	5.53	3.69	4.00	8.90	4.90	2.63
2	1-1/4	1-1/2	15.82	4.46	4.88	3.00	5.88	4.12	4.72	10.78	6.31	2.88

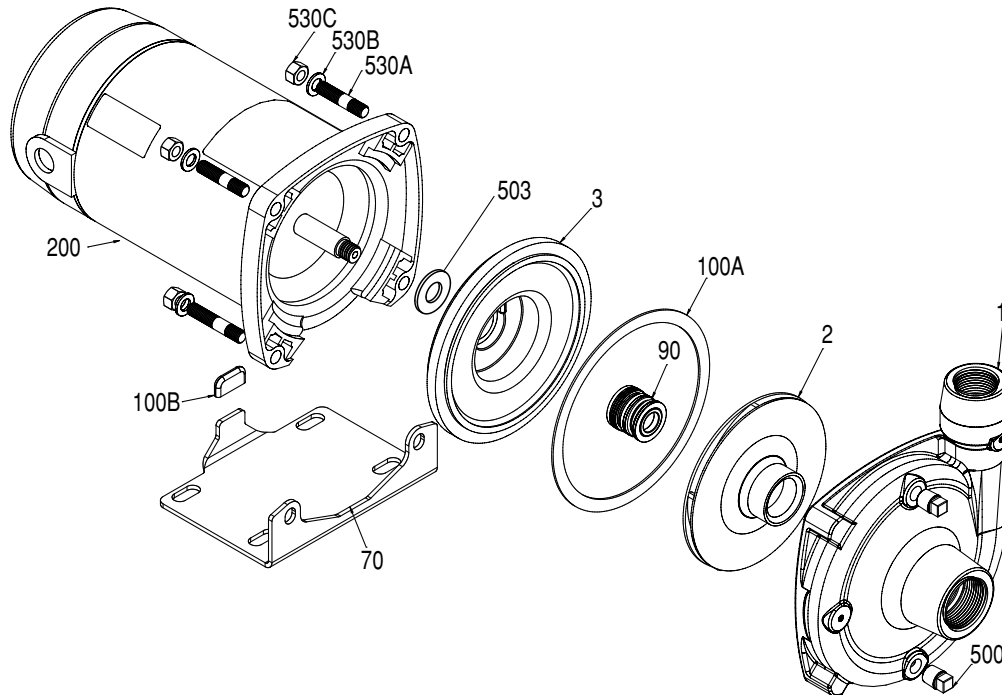
**Note:** Dimensions are for estimating purposes only. All dimensions in inches.

### Ordering Information:

Close-Coupled FCE 1/2 - 2 HP					
Pump Size (Dis x Suc - Imp)	HP	Voltage	Model Description	Order Number	Weight
1 x 1-1/4	1/2	115/230	FCE05CI	90200005	31
	3/4	115/230	FCE07CI	90200007	32
	1	115/230	FCE1C1	90200010	37
	1-1/2	115/230	FCE15CI	90200015	42
1-1/4 x 1-1/2	2	230	FCE2CI	90200020	46

**Notes:** All dimensions in inches. All weight in pounds.

## Close-Coupled FCE 1/2 - 2 hp



### Materials and Parts:

Figure No.	Description	Repair No.					Materials of Construction
		FCE05	FCE07	FCE1	FCE15	FCE2	
1, 100A, 530A, 530B, 530C, 500	Casing Kit	305446922				305446923	Cast Iron, ASTM-A48 CL30; EPDM; Zinc Plated Steel; Cad-Plated Steel
2, 90, 100A, 503, 530B, 530C	Overhaul Kit	305446924	305446925	305446926	305446927	305446928	Carbon/Ceramic/Buna-SS; Noryl; EPDM; Zinc Plated Steel, Neoprene
3, 100A, 530B, 530C	Seal Plate Kit	305446929				305446930	Cast Iron, ASTM-A48 CL30; EPDM; Zinc Plated Steel
503, 530A, 530B, 530C	Fastener Kit	305446931				305446931	Zinc Plated Steel, Neoprene

**Close-Coupled FCE** 1/2 - 2 hp

**Performance Curve:**

**3600 rpm**  
Nominal

