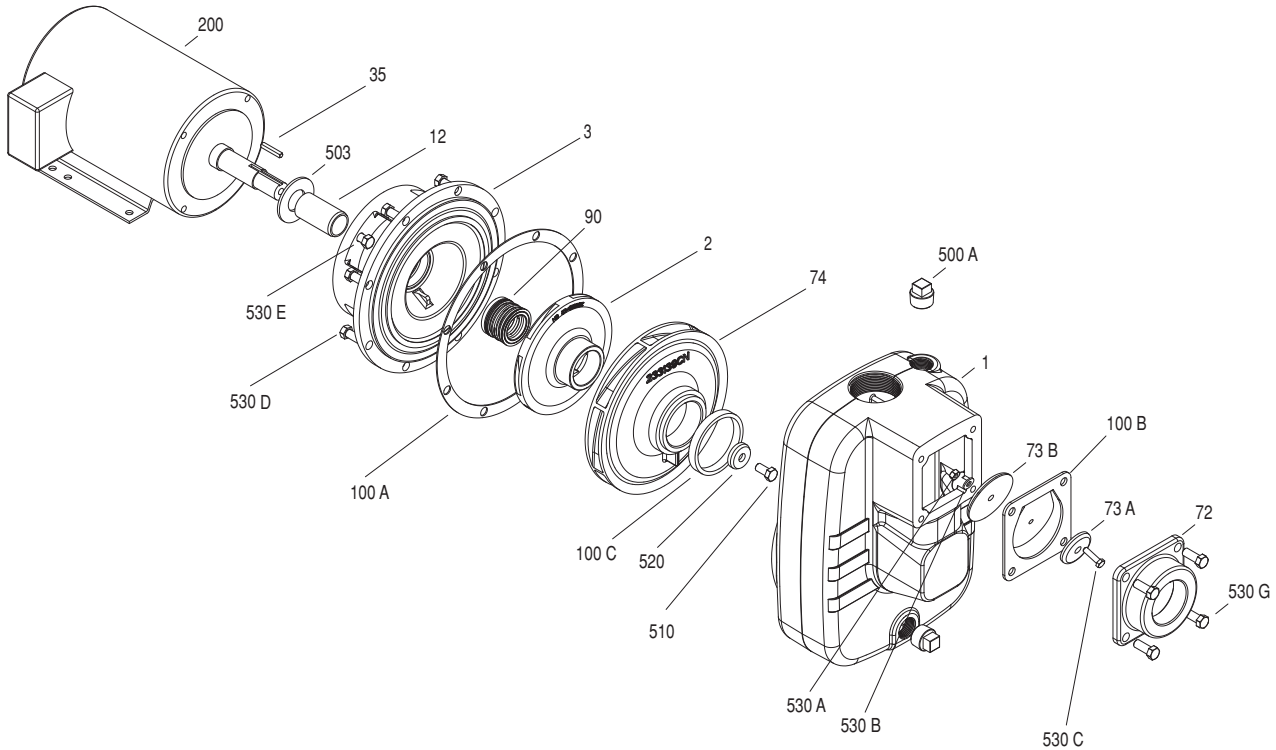


Self-Priming Turf Boss 3 - 5 hp

Exploded Parts Drawing:



Materials and Parts:

PARTS FOR TURF BOSS 3-5 HP				
Figure No.	Part Description	Part No.		Materials of Construction
		3 HP	5 HP	
1	Pump Case	305461011		Cast Iron, ASTM-A48 CL30
2	Impeller	305453025	305453026	Cast Iron, ASTM-A48 CL30
3	Motor Adapter	305461012		Cast Iron, ASTM-A48 CL30
12	Mech Seal Shaft Sleeve	305458011		416 Stainless Steel
35	Shaft Key	305453028	305451003	301 Stainless Steel
72	Check Valve	305455010	305460018	Cast Iron, ASTM-A48 CL30
73A	Top Weight - Check Valve	305455011		Cast Iron, ASTM-A48 CL30
73B	Bottom Weight - Check Valve	305455012		Cast Iron, ASTM-A48 CL30
74	Diffuser	305460019		Cast Iron, ASTM-A48 CL30
90	Mechanical Shaft Seal	305457011		CARB/CER x VITON-SS
100A	Case O-Ring / Gasket	305461013		Nitrile
100B	Flapper Valve	305454043		Neoprene
100C	Square-Ring - Volute	305463131		Nitrile
200	Motor	See Motor section		Misc.
500	Pipe Plug 3/4" (2 Req)	305463050		Cad-Plated Steel
503	Water Slinger	305453030		Neoprene
510	Impeller Bolt	305461014		416 Stainless Steel
520	Impeller Washer	305448013	305455014	417 Stainless Steel
530A	Nut, Flapper	305463082		300 Stainless Steel
530B	Washer, Flapper	305463084		300 Stainless Steel
530C	Flapper Bolt	305463080		316 Stainless Steel
530D	Hex Bolts - Volute (8-pack)	305463064		Zinc Plated Steel
530E	Hex Bolt - Motor Adapter (4 Req)	305463120	305463121	Zinc Plated Steel
530G	Hex Bolt - Check Valve	305463010		Zinc Plated Steel