

4" HIGH THRUST SUBMERSIBLE MOTORS

Single-Phase 3 & 5 hp & Three-Phase 3-10 hp

Application Data:

These motors are built for superior dependability in 4" diameter or larger water wells. Temperature and time rating continuous in 86 °F (30 °C) water at 1/4 ft/sec flow past motor. Rotation: single-phase, CCW facing shaft end; three-phase, electrically reversible.

For further information, refer to Franklin Electric's Submersible Motors: Application, Installation, Maintenance Manual.

Basic Features:

- Single-phase Voltage 230 V 60 Hz, 220 V 50 Hz
- Three-phase Voltages 200 V, 230 V, 380 V, 575 V 60 Hz, 460/380 V 60/50 Hz
- Corrosion-Resistant Construction
- Stainless Steel Splined Shaft
- Hermetically-Sealed Windings
- Anti-Track Self-Healing Resin System
- Water Lubrication
- Filter Check Valve (Water Well)
- Kingsbury-type Thrust Bearing
- Pressure Equalizing Diaphragm
- Built-in Lightning Arrestors (single-phase)
- Removable Water-Bloc™ Lead installed in 60 Hz and dual frequency rated water well motors. Consult factory for additional leads.
- NEMA Pump Mounting Dimensions
- UL 778 Recognized (North American Voltages)
- CSA C22.2 #108 Certified
- Sand Fighter Slinger

Special Features:

- **316 Stainless Steel:** Special construction option for acid, low pH, and saline applications.
- **Oil Stripper:** Special construction option for secondary oil recovery wells, geothermal, or other applications with high ambient temperatures. Consult factory for details.
- **World Wide Adaptability:** All standard voltage and Hertz ratings are offered. Contact Franklin Electric for availability.

Control Boxes:

- Franklin's single-phase submersible Control Boxes are suitable for outdoor mounting with operation over temperature ranges of +14 °F (-10 °C) to +122 °F (50 °C).
- Start and run winding overloads protect the motor from failure due to abnormal operating conditions.
- Available in 3 and 5 hp ratings, the DELUXE Control Box incorporates a magnetic line contactor to eliminate the need for auxiliary contactors and heavy duty pressure switches.
- A heavy duty terminal strip with box type lugs makes it easy to install up to #2 AWG wire.
- Ground lugs provide a means of grounding the motor and Control Box to the power supply ground in compliance with NEC and other national and local codes.

WARNING: Serious or fatal electrical shock or fire hazard may result from failure to follow the instructions for proper installation and use which accompany this equipment. Do not use motor in swimming areas.



Availability

Single-Phase Capacitor start, capacitor run (Control Box required)

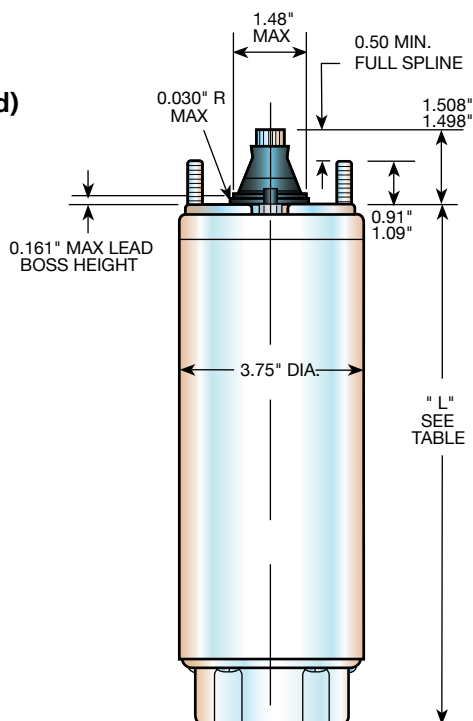
HP	KW	"L" DIM INS	SHIPPING WEIGHT	
			LBS	KGS
3	2.2	23.2	56	25.4
5	3.7	29.2	71	32.2

Three-Phase (Special control required)

HP	KW	"L" DIM INS	SHIPPING WEIGHT	
			LBS	KGS
3	2.2	20.2	44	20.0
5	3.7	23.2	56	25.4
7.5	5.5	29.2	71	32.2
10	7.5	32.9	77	34.9

60 Hz - 3,450 rpm

50 Hz - 2,875 rpm



Construction Materials

Component	Environment Type		
	Standard Water Well	Chemical (316 STNLS)	Oil Stripper
1 Top Casting	303 SS	316 SS	316 SS
2 Bottom Casting	303 SS Over Painted Cast Iron	316 SS	316 SS
3 Stator Shell	301 SS	316 SS	316 SS
4 Stator Ends	Low Carbon Steel	316 SS	316 SS
5 Shaft Extension	17-4 SS	17-4 SS	17-4 SS
6 Fasteners	300 Series SS	316 SS	316 SS
7 Seal Cover	Acetal	316 SS	316 SS
8 Seal	Nitrile Rupper Lip Seal	Sand Fighter™ SiC Mech Seal	Sand Fighter™ Viton
9 Diaphragm	Nitrile Rubber	Nitrile Rubber	Viton
10 Diaphragm Cup	304 SS	316 SS	316 SS
11 Diaphragm Spring	316 SS	316 SS	316 SS
12 Diaphragm Cover	316 SS	316 SS	316 SS
13 Slinger	Nitrile Rubber	Nitrile Rubber	Viton
14 Lead Wire (or Cable)	XLPE [Ⓞ]	XLPE [Ⓞ]	XLPE [Ⓞ]
15 Lead Potting	Epoxy	Epoxy	Epoxy
16 Lead Clamp	316 SS	316 SS	316 SS
17 Filter	Delrin & Polyester	316 SS Plug	316 SS Plug

[Ⓞ] Removable type leads installed. Consult Submersible Service Hotline at 800.348.2420 for information regarding replacement leads.

Specifications subject to change without notice. Contact Franklin Electric if current material types are required for bid specifications.



Franklin Electric

400 East Spring Street, Bluffton, Indiana 46714 • Tel: 260.824.2900 Fax: 260.824.2909 • www.franklin-electric.com