

Submersible Motor Control Boxes



Applications

QUICK DISCONNECT (QD) & CAPACITOR RUN CONTROL (CRC)

– These control boxes are designed for use with Franklin 3-wire single-phase submersible motors through 1 hp.

STANDARD & DELUXE – These control boxes are designed for use with Franklin 3-wire single-phase submersible motors from 1 through 15 hp. Recommended for water systems that use pressure switches, level switches, or other pilot devices. Deluxe boxes (only) contain magnetic line contactors carefully matched to the motor rating, eliminating the need for external line contactors.

Basic Features – All Boxes

- Suitable for outdoor mounting
- Capacitor Start / Capacitor Run design (except QD boxes)
- UL Listed for US and Canada (60 Hz models)

Basic Features – Standard & Deluxe Boxes

- Heavy duty box-type terminals accept up to AWG #2 wire
- External access to overload resets
- Multiple-size knockouts
- User-friendly connection diagrams
- Easy access to grounding lugs

Single-Phase Control Box Specifications

| BOX TYPE | HZ | HP RANGE | KW RANGE | ENCLOSURE | TERMINAL BLOCK | | MAG CONTACTOR | AGENCY APPROVALS |
|-----------------------------|----|----------|-------------|---------------|----------------|----------|---------------|-----------------------------|
| | | | | | TERMINALS | MAX WIRE | | |
| Quick Disconnect (QD) | 60 | 1/3 - 1 | 0.25 - 0.75 | NEMA 3R, IP23 | 5 | AWG 10 | No | UL listed for US and Canada |
| Quick Disconnect (QD) | 50 | 1/3 - 1 | 0.25 - 0.75 | NEMA 3R, IP23 | 5 | AWG 10 | No | CSA Certified |
| Capacitor Run Control (CRC) | 60 | 1/2 - 1 | 0.37 - 0.75 | NEMA 3R, IP23 | 5 | AWG 10 | No | UL listed for US and Canada |
| Standard (S) | 60 | 1 - 10 | 0.75 - 7.5 | NEMA 3R, IP23 | 5 | AWG 2 | No | UL listed for US and Canada |
| Standard (S) | 50 | 1.5 - 5 | 0.75 - 3.7 | NEMA 3R, IP23 | 5 | AWG 2 | No | CSA Certified |
| Deluxe (D) | 60 | 2 - 15 | 1.5 - 11 | NEMA 3R, IP23 | 6 | AWG 2 | Yes | UL listed for US and Canada |
| Extra Large Deluxe (D-XL) | 60 | 15 | 11 | NEMA 3R, IP23 | 5 | AWG 00 | Yes | UL listed for US and Canada |

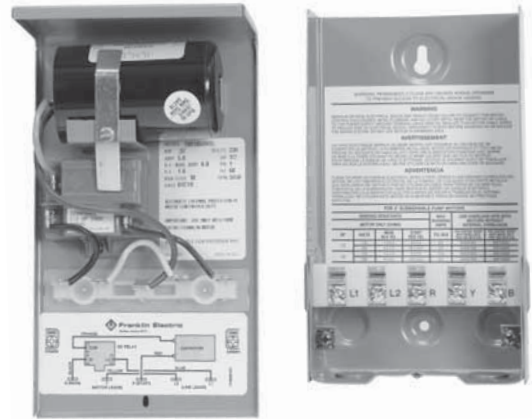
Submersible Motor Control Boxes

Enclosure – Quick Disconnect (QD) & Capacitor Run Control (CRC) Boxes

■ Knockouts:

- Bottom: Two 0.88” knockouts and one 1.31” knockout.
- Side: One 0.88” knockout and one 1.31” knockout on each side.

- **Terminal Block:** five terminals provided for wiring up to AWG #10 wire.



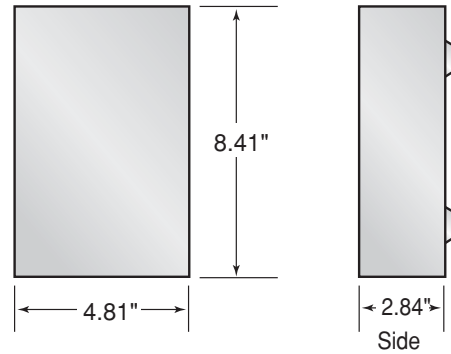
Quick Disconnect (QD) Control Boxes

| HP | KW | SHIPPING WEIGHT | | MOTOR CARTON SIZE (in inches) | ENC SIZE |
|-----|------|-----------------|-----|-------------------------------|----------|
| | | LBS | KG | | |
| 1/3 | 0.25 | 4 | 1.8 | 5.5 x 3.25 x 9 | QD |
| 1/2 | 0.37 | 4 | 1.8 | 5.5 x 3.25 x 9 | QD |
| 3/4 | 0.55 | 4 | 1.8 | 5.5 x 3.25 x 9 | QD |
| 1 | 0.75 | 4 | 1.8 | 5.5 x 3.25 x 9 | QD |

Capacitor Run Control (CRC) Boxes

| HP | KW | SHIPPING WEIGHT | | MOTOR CARTON SIZE (in inches) | ENC SIZE |
|-----|------|-----------------|-----|-------------------------------|----------|
| | | LBS | KG | | |
| 1/2 | 0.37 | 5 | 2.3 | 5.5 x 3.25 x 9 | QD |
| 3/4 | 0.55 | 5 | 2.3 | 5.5 x 3.25 x 9 | QD |
| 1 | 0.75 | 5 | 2.3 | 5.5 x 3.25 x 9 | QD |

QD Box Dimensions



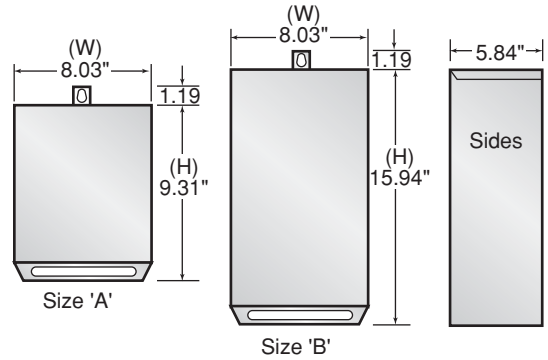
Submersible Motor Control Boxes

Enclosure – Standard & Deluxe Boxes

- **Knockouts:** Two 1.31" diameter holes for 1" conduit connection. One 1.75" knockout for 1.25" conduit. One 0.88" knockout for 0.5" conduit connection.
- **Terminal Block:** six terminals provided for wiring up to AWG 2 wire.



Standard & Deluxe Dimensions



Standard Control Boxes

| HP | KW | SHIPPING WEIGHT | | MOTOR CARTON SIZE (in inches) | ENC SIZE |
|-----------|-----|-----------------|-----|-------------------------------|----------|
| | | LBS | KG | | |
| 1.5 | 1.1 | 7 | 3.2 | 8.125 x 6.25 x 11.25 | A |
| 2 | 1.5 | 7 | 3.2 | 8.125 x 6.25 x 11.25 | A |
| 3 | 2.2 | 7 | 3.2 | 8.125 x 6.25 x 11.25 | A |
| 5 (60 Hz) | 3.7 | 8 | 3.6 | 8.125 x 6.25 x 11.25 | A |
| 5 (50 Hz) | 3.7 | 8 | 3.6 | 8.125 x 6.25 x 18 | B |
| 7.5 | 5.5 | 12 | 5.5 | 8.125 x 6.25 x 18 | B |
| 10 | 7.5 | 14 | 6.4 | 8.125 x 6.25 x 18 | B |

Deluxe Control Boxes

| HP | KW | SHIPPING WEIGHT | | MOTOR CARTON SIZE (in inches) | ENC SIZE |
|---------|-----|-----------------|------|-------------------------------|----------|
| | | LBS | KG | | |
| 2 | 1.5 | 7.0 | 3.2 | 8.125 x 6.25 x 11.25 | A |
| 3 | 2.2 | 7.3 | 3.3 | 8.125 x 6.25 x 11.25 | A |
| 5 | 3.7 | 11.2 | 5.1 | 8.125 x 6.25 x 18 | B |
| 7.5 | 5.5 | 13.1 | 6.0 | 8.125 x 6.25 x 18 | B |
| 10 | 7.5 | 14.7 | 6.7 | 8.125 x 6.25 x 18 | B |
| 15 | 11 | 16.5 | 7.5 | 8.125 x 6.25 x 18 | B |
| 15 (XL) | 11 | 28.0 | 12.7 | 16 x 7.125 x 19 | C |

Submersible Motor Control Boxes

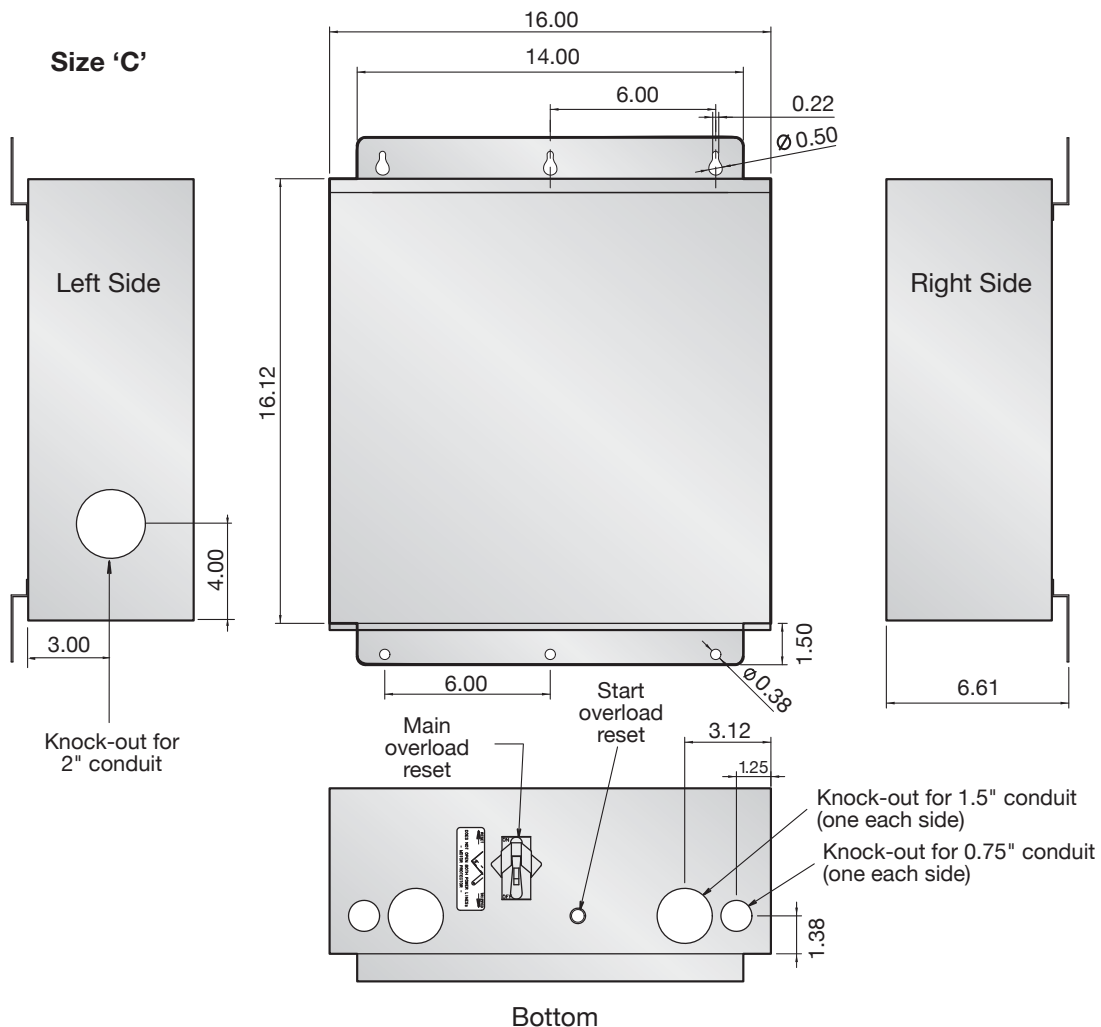
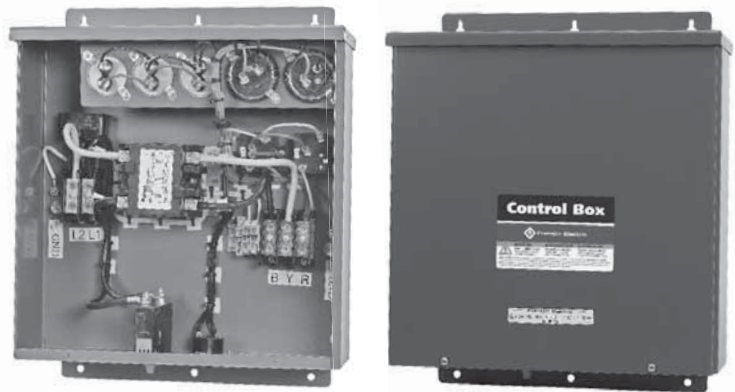
Enclosure - Extra Large Deluxe (D-XL) Boxes

■ Knockouts:

- Bottom: two knockouts for 0.75" conduit, and two for 1.5" conduit.
- Side: one knockout for 2" conduit.

■ **Terminal Block:** two terminals provided for incoming power and three terminals provided for drop cable for conductors from AWG 14 to 00.

■ **Control Switch Terminal Block:** accepts conductors from AWG 20 to 6.



Submersible Motor Control Boxes

Control Box Models

| HP (KW) | DESCRIPTION | | | | MODEL | STOCK STATUS |
|------------------|-------------|-------|----|------|--------------|--------------|
| | PH | VOLTS | HZ | TYPE | | |
| 1/3 hp (0.25 kW) | 1P | 115 | 60 | Q | 280 102 4915 | YES |
| | 1P | 220 | 50 | Q | 280 353 0115 | |
| | 1P | 230 | 60 | Q | 280 103 4915 | YES |
| 1/2 hp (0.37 kW) | 1P | 115 | 60 | Q | 280 104 4915 | YES |
| | 1P | 220 | 50 | Q | 280 355 0115 | YES |
| | 1P | 230 | 60 | Q | 280 105 4915 | YES |
| | 1P | 230 | 60 | CRC | 282 405 5015 | YES |
| 3/4 hp (0.55 kW) | 1P | 220 | 50 | Q | 280 357 0115 | YES |
| | 1P | 230 | 60 | Q | 280 107 4915 | YES |
| | 1P | 230 | 60 | CRC | 282 407 5015 | YES |
| 1 hp (0.75 kW) | 1P | 220 | 50 | Q | 280 358 0115 | YES |
| | 1P | 230 | 60 | Q | 280 108 4915 | YES |
| | 1P | 230 | 60 | CRC | 282 408 5015 | YES |
| 1.5 hp (1.1 kW) | 1P | 220 | 50 | S | 282 350 8110 | YES |
| | 1P | 230 | 60 | S | 282 300 8110 | YES |
| 2 hp (1.5 kW) | 1P | 220 | 50 | S | 282 351 8110 | YES |
| | 1P | 230 | 60 | S | 282 301 8110 | YES |
| | 1P | 230 | 60 | D | 282 301 8310 | YES |
| 3 hp (2.2 kW) | 1P | 220 | 50 | S | 282 352 8110 | YES |
| | 1P | 230 | 60 | S | 282 302 8110 | YES |
| | 1P | 230 | 60 | D | 282 302 8310 | YES |
| 5 hp (3.7 kW) | 1P | 220 | 50 | S | 282 253 9010 | YES |
| | 1P | 230 | 60 | S | 282 113 8110 | YES |
| | 1P | 230 | 60 | D | 282 113 9310 | YES |
| 7.5 hp (5.5 kW) | 1P | 230 | 60 | S | 282 201 9210 | YES |
| | 1P | 230 | 60 | D | 282 201 9310 | YES |
| 10 hp (7.5 kW) | 1P | 230 | 60 | S | 282 202 9230 | YES |
| | 1P | 230 | 60 | D | 282 202 9330 | YES |
| 15 hp (11 kW) | 1P | 230 | 60 | D | 282 203 9330 | YES |
| | 1P | 230 | 60 | D-XL | 282 203 9621 | YES |

NOTES:

Q = Quick Disconnect Control Box

CRC = Capacitor Run Control Box

S = Standard Control Box

D = Deluxe Control Box

D-XL = Extra Large Deluxe Control Box

Submersible Motor Control Boxes

Control Box Parts

QD Control Box Parts - 60 Hz

| HP Voltage Model No. | Rating | No. Req. | Component Part No. | Kit Order No. |
|------------------------------------|------------------------------------|----------|--------------------|---------------|
| 1/3 hp - 115 V 280 102 4915 | Start Capacitor 159-191 MFD, 110 V | 1 | 275 464 125 | 305 207 925 |
| | QD Relay | 1 | 223 415 905 | 305 101 905 |
| 1/3 hp - 230 V 280 103 4915 | Start Capacitor 43-53 MFD, 220 V | 1 | 275 464 126 | 305 207 926 |
| | QD Relay | 1 | 223 415 901 | 305 101 901 |
| 1/2 hp - 115 V 280 104 4915 | Start Capacitor 250-300 MFD, 125 V | 1 | 275 464 201 | 305 207 951 |
| | QD Relay | 1 | 223 415 906 | 305 101 906 |
| 1/2 hp - 230 V 280 105 4915 | Start Capacitor 59-71 MFD, 220 V | 1 | 275 464 105 | 305 207 905 |
| | QD Relay | 1 | 223 415 902 | 305 101 902 |
| 3/4 hp - 230 V 280 107 4915 | Start Capacitor 86-103 MFD, 220 V | 1 | 275 464 118 | 305 207 918 |
| | QD Relay | 1 | 223 415 903 | 305 101 903 |
| 1 hp - 230 V 280 108 4915 | Start Capacitor 105-126 MFD, 220 V | 1 | 275 464 113 | 305 207 913 |
| | QD Relay | 1 | 223 415 904 | 305 101 904 |
| 1/2 hp - 230 V CRC 282 405 5015 | Start Capacitor 43-53 MFD, 220 V | 1 | 275 464 126 | 305 207 926 |
| | Run Capacitor 15 MFD, 370 V | 1 | 156 362 101 | 305 203 907 |
| | QD Relay | 1 | 223 415 912 | 305 105 901 |
| 3/4 hp - 230 V CRC 282 407 5015 | Start Capacitor 59-71 MFD, 220 V | 1 | 275 464 105 | 305 207 905 |
| | Run Capacitor 23 MFD, 370 V | 1 | 156 362 102 | 305 203 908 |
| | QD Relay | 1 | 223 415 913 | 305 105 902 |
| 1 hp - 230 V CRC 282 408 5015 | Start Capacitor 86-103 MFD, 220 V | 1 | 275 464 118 | 305 207 918 |
| | Run Capacitor 23 MFD, 370 V | 1 | 156 362 102 | 305 203 908 |
| | QD Relay | 1 | 223 415 914 | 305 105 903 |

QD Control Box Parts - 50 Hz

| HP Voltage Model No. | Rating | No. Req. | Component Part No. | Kit Order No. |
|--------------------------------|----------------------------------|----------|--------------------|---------------|
| 1/3 hp - 220 V 280 353 0115 | Start Capacitor 43-53 MFD, 220 V | 1 | 275 461 123 | 305 205 923 |
| | Capacitor Overload Assembly | 1 | 151 033 957 | 305 218 957 |
| | Relay 220 V | 1 | 155 031 112 | 305 213 912 |
| 1/2 hp - 220 V 280 355 0115 | Start Capacitor 43-53 MFD, 220 V | 1 | 275 461 123 | 305 205 923 |
| | Capacitor Overload Assembly | 1 | 151 033 957 | 305 218 957 |
| | Relay 220 V | 1 | 155 031 112 | 305 213 912 |
| 3/4 hp - 220 V 280 357 0115 | Start Capacitor 59-71 MFD, 220 V | 1 | 275 461 108 | 305 205 908 |
| | Capacitor Overload Assembly | 1 | 151 033 918 | 305 218 918 |
| | Relay 220 V | 1 | 155 031 112 | 305 213 912 |
| 1 hp - 220 V 280 358 0115 | Start Capacitor 86-103 MFD, 220V | 1 | 275 461 106 | 305 205 906 |
| | Capacitor Overload Assembly | 1 | 151 033 906 | 305 218 906 |
| | Relay 220 V | 1 | 155 031 112 | 305 213 912 |

Replacement Parts for Older Style QD Control Boxes

| Description | Rating | No. Req. | Component Part No. | Kit Order No. |
|-----------------------------|----------------------------------|----------|--------------------|---------------|
| Voltage Relay Kit | 115 Volt with bracket and screws | 1 | 155 031 901 | 305 102 901 |
| | 230 Volt with bracket and screws | 1 | 155 031 902 | 305 102 902 |
| | 208 Volt with bracket and screws | 1 | 155 031 903 | 305 102 903 |
| Capacitor Overload Assembly | 1/3 hp, 115 Volt | 1 | 151 033 973 | 305 218 973 |
| | 1/3 hp, 230 Volt | 1 | 151 033 974 | 305 218 974 |
| | 1/2 hp, 115 Volt | 1 | 151 033 975 | 305 218 975 |
| | 1/2 hp, 230 Volt | 1 | 151 033 976 | 305 218 976 |
| | 3/4 hp, 230 Volt | 1 | 151 033 978 | 305 218 978 |
| | 1 hp, 230 Volt | 1 | 151 033 979 | 305 218 979 |
| Overload Kit | 1.5 hp, 230 Volt | 1 | 151 033 980 | 305 218 980 |
| | 1/3 hp, 115 Volt | 1 | NA | 305 100 901 |
| | 1/3 hp, 230 Volt | 1 | NA | 305 100 902 |
| | 1/2 hp, 115 Volt | 1 | NA | 305 100 903 |
| | 1/2 hp, 230 Volt | 1 | NA | 305 100 904 |
| | 3/4 hp, 230 Volt | 1 | NA | 305 100 905 |
| | 1 hp, 230 Volt | 1 | NA | 305 100 906 |

NOTE: Some Franklin motors, controls & parts are not stock items and may need to be special ordered.

Submersible Motor Control Boxes

Control Box Parts

Standard Control Box Parts - 60 Hz

| HP Size Model No. | Rating | No. Req. | Component Part No. | Kit Order No. |
|--------------------------------|-------------------------------------|-------------|-----------------------|------------------|
| 1/1.5 hp - 4" 282 300 8110 | Start Capacitor 105-126 MFD, 220 V | 1 | 275 464 113 | 305 207 913 |
| | Run Capacitor 10 MFD, 370 V | 1 | 155 328 102 | 305 204 902 |
| | Overload | 1 | 275 411 107 | 305 215 907 |
| | Relay - 230 V* | 1 | 155 031 102 | 305 213 902 |
| 2 hp - 4" 282 301 8110 | Start Capacitor 105-126 MFD, 220 V | 1 | 275 464 113 | 305 207 913 |
| | Run Capacitor 20 MFD, 370 V | 1 | 155 328 103 | 305 204 903 |
| | Start Overload | 1 | 275 411 117 | 305 215 917 |
| | Run Overload | 1 | 275 411 113 | 305 215 913 |
| 3 hp - 4" 2823028110 | Relay - 230 V* | 1 | 155 031 102 | 305 213 902 |
| | Start Capacitor 208-250 MFD, 220 V | 1 | 275 463 111 | 305 206 911 |
| | Run Capacitor 45 MFD, 370 V | 1 | 155 327 109 | 305 203 909 |
| | Start Overload | 1 | 275 411 118 | 305 215 918 |
| 5 hp - 4" & 6" 282 113 8110 | Run Overload | 1 | 275 411 115 | 305 215 915 |
| | Relay - 230 V* | 1 | 155 031 102 | 305 213 902 |
| | Start Capacitor 270-324 MFD, 330 V | 1 | 275 468 119 | 305 208 919 |
| | Run Capacitor 40 MFD, 370 V | 2 | 155 327 114 | 305 203 914 |
| 7.5 hp - 6" 282 201 9210 | Start Overload | 1 | 275 411 119 | 305 215 919 |
| | Run Overload | 1 | 275 406 102 | 305 214 902 |
| | Relay - 230V* | 1 | 155 031 601 | 305 213 961 |
| | Start Capacitor 270-324 MFD, 330 V | 1 | 275 468 119 | 305 208 919 |
| | Start Capacitor 216-259 MFD, 330 V | 1 | 275 468 118 | 305 208 918 |
| | Run Capacitor 45 MFD, 370 V | 1 | 155 327 109 | 305 203 909 |
| 10 hp - 6" 282 202 9230 | Start Overload | 1 | 275 411 102 | 305 215 902 |
| | Run Overload | 1 | 275 406 122 | 305 214 922 |
| | Relay - 230V* | 1 | 155 031 601 | 305 213 961 |
| | Start Capacitor 270-324 MFD, 330 V | 1 | 275 468 119 | 305 208 919 |
| | Start Capacitor 130-154 MFD, 330 V | 1 | 275 463 120 | 305 206 920 |
| | Start Capacitor 216-259 MFD, 330 V | 1 | 275 468 118 | 305 208 918 |
| All | Run Capacitor 35 MFD, 370 V | 2 | 155 327 102 | 305 203 902 |
| | Start Overload | 1 | 275 406 103 | 305 214 903 |
| | Run Overload | 1 | 155 409 101 | 155 409 101 |
| | Relay - 230V* | 1 | 155 031 601 | 305 213 961 |
| 208 V Relay * | Lightning Arrestor | 1 | 150 814 902 | 150 814 902 |
| | Relay 1.5-3 hp (replaces 155031102) | 1 | 155 031 103 | 305 213 903 |
| | Relay 5-15 hp (replaces 155031601) | 1 | 155 031 602 | 305 213 904 |

Standard Control Box Parts - 50 Hz

| HP Voltage Model No. | Rating | No. Req. | Component Part No. | Kit Order No. |
|--------------------------------|------------------------------------|-------------|-----------------------|------------------|
| 1.5 hp - 220 V 282 350 8110 | Start Capacitor 105-126 MFD, 220 V | 1 | 275 464 113 | 305 207 913 |
| | Run Capacitor 10 MFD, 370 V | 1 | 155 328 102 | 305 203 909 |
| | Overload Assembly - Run | 1 | 275 411 114 | 305 215 914 |
| | Relay 220 V | 1 | 155 031 112 | 305 213 912 |
| 2 hp - 220 V 282 351 8110 | Start Capacitor 189-227 MFD, 220 V | 1 | 275 468 115 | 305 208 915 |
| | Run Capacitor 20 MFD, 370V | 1 | 155 328 103 | 305 204 903 |
| | Overload Assembly - Run | 1 | 275 411 102 | 305 215 902 |
| | Overload Assembly - Start | 1 | 275 411 106 | 305 215 906 |
| 3 hp - 220 V 282 352 8110 | Relay 220 V | 1 | 155 031 112 | 305 213 912 |
| | Start Capacitor 270-324 MFD, 220 V | 1 | 275 468 119 | 305 208 919 |
| | Run Capacitor 35 MFD, 370 V | 1 | 155 327 102 | 305 203 902 |
| | Overload Assembly - Run | 1 | 275 406 107 | 305 214 907 |
| 5 hp - 220 V 282 253 9010 | Overload Assembly - Start | 1 | 275 411 107 | 305 215 907 |
| | Relay 220 V | 1 | 155 031 112 | 305 213 912 |
| | Start Capacitor 189-227 MFD, 220 V | 2 | 275 468 115 | 305 208 915 |
| | Run Capacitor 30 MFD, 220 V | 1 | 155 327 101 | 305 203 901 |
| | Run Capacitor 45 MFD, 220 V | 1 | 155 327 109 | 305 203 909 |
| | Overload Assmby - Run | 1 | 275 406 102 | 305 214 902 |
| | Overload Assembly - Start | 1 | 275 411 102 | 305 215 902 |
| | Relay 220 V | 1 | 155 031 112 | 305 213 912 |

NOTE: Some Franklin motors, controls and parts are not stock items and may need to be special ordered.

* For 208 V systems or where line voltage is between 200 V and 210 V a low voltage relay and larger cable are required:

- Use relay part number 155 031 103 in place of 155 031 102 on 1.5 through 3 hp applications.
- Use relay 115 031 602 for 5-15 hp applications.
- Use the next size larger cable than is specified in the 230 V table.
- Boost transformers are an alternative to special relay and cable.

Submersible Motor Control Boxes

Control Box Parts

Deluxe Control Box Parts

| HP Size Model No. | Rating | No. Req. | Component Part No. | Kit Order No. |
|---|---------------------------------------|-------------|-----------------------|---------------|
| 2 hp - 4" 282 301 8310 | Start Capacitor 105-126 MFD, 220 V | 1 | 275 464 113 | 305 207 913 |
| | Run Capacitor 20 MFD, 370 V | 1 | 155 328 103 | 305 204 903 |
| | Start Overload | 1 | 275 411 117 | 305 215 917 |
| | Run Overload | 1 | 275 411 113 | 305 215 913 |
| | Contactactor | 1 | 155 325 102 | 305 226 901 |
| | Relay - 230 V* | 1 | 155 031 102 | 305 213 902 |
| 3 hp - 4" 282 302 8310 | Start Capacitor 208-250 MFD, 220 V | 1 | 275 463 111 | 305 206 911 |
| | Run Capacitor 45 MFD, 370 V | 1 | 155 327 109 | 305 203 909 |
| | Start Overload | 1 | 275 411 118 | 305 215 918 |
| | Run Overload | 1 | 275 411 115 | 305 215 915 |
| | Contactactor | 1 | 155 325 102 | 305 226 901 |
| | Relay - 230 V* | 1 | 155 031 102 | 305 213 902 |
| 5 hp - 4" & 6" 282 113 9310 | Start Capacitor 270-324 MFD, 330 V | 1 | 275 468 119 | 305 208 919 |
| | Run Capacitor 40 MFD, 370 V | 2 | 155 327 114 | 305 203 914 |
| | Start Overload | 1 | 275 411 119 | 305 215 919 |
| | Run Overload | 1 | 275 406 102 | 305 214 902 |
| | Contactactor | 1 | 155 326 101 | 305 347 903 |
| | Relay - 230 V* | 1 | 155 031 601 | 305 213 961 |
| 7.5 hp - 6" 282 201 9310 | Start Capacitor 270-324 MFD, 330 V | 1 | 275 468 119 | 305 208 919 |
| | Start Capacitor 216-259 MFD, 330 V | 1 | 275 468 118 | 305 208 918 |
| | Run Capacitor 45 MFD, 370 V | 1 | 155 327 109 | 305 203 909 |
| | Start Overload | 1 | 275 411 102 | 305 215 902 |
| | Run Overload | 1 | 275 406 121 | 305 214 921 |
| | Contactactor | 1 | 155 326 102 | 305 347 902 |
| | Relay - 230 V* | 1 | 155 031 601 | 305 213 961 |
| 10 hp - 6" 282 202 9330 | Start Capacitor 270-324 MFD, 330 V | 1 | 275 468 119 | 305 208 919 |
| | Start Capacitor 130-154 MFD, 330 V | 1 | 275 463 120 | 305 206 920 |
| | Start Capacitor 216-259 MFD, 330 V | 1 | 275 468 118 | 305 208 918 |
| | Run Capacitor 35 MFD, 370 V | 2 | 155 327 102 | 305 203 902 |
| | Start Overload | 1 | 275 406 103 | 305 214 903 |
| | Run Overload | 1 | 155 409 101 | 155 409 101 |
| | Contactactor | 1 | 155 326 102 | 305 347 902 |
| Relay - 230 V* | 1 | 155 031 601 | 305 213 961 | |
| 15 hp - 6" 282 203 9330 | Start Capacitor 270-324 MFD, 330 V | 2 | 275 468 119 | 305 208 919 |
| | Start Capacitor 161-193 MFD, 330 V | 1 | 275 463 122 | 305 206 912 |
| | Run Capacitor 45 MFD, 370 V | 3 | 155 327 109 | 305 203 909 |
| | Start Overload | 1 | 275 406 103 | 305 214 903 |
| | Run Overload | 1 | 155 409 102 | 155 409 102 |
| | Contactactor | 1 | 155 429 101 | 305 347 901 |
| | Relay - 230 V* | 1 | 155 031 601 | 305 213 961 |
| 15 hp - 6" 282 203 9621 X-Large Enclosure | Start Capacitor 350-420 MFD, 330 V | 2 | 275 468 120 | 305 208 920 |
| | Run Capacitor 45 MFD, 370 V | 3 | 155 327 109 | 305 203 909 |
| | Start Overload | 1 | 275 406 103 | 305 214 903 |
| | Run Overload | 1 | 155 409 102 | 155 409 102 |
| | Contactactor | 1 | 155 429 101 | 305 347 901 |
| | Relay - 230 V* | 2 | 155 031 601 | 305 213 961 |
| All | Lightning Arrestor | 1 | 150 814 902 | 150 814 902 |
| 208 V Relay* | Relay 1.5-3 hp (replaces 155 031 102) | 1 | 155 031 103 | 305 213 903 |
| | Relay 5-15 hp (replaces 155 031 601) | 1 | 155 031 602 | 305 213 904 |

NOTE: Some Franklin motors, controls & parts are not stock items and may need to be special ordered.

* For 208 V systems or where line voltage is between 200 V and 210 V a low voltage relay and larger cable are required:

- Use relay part number 155 031 103 in place of 155 031 102 on 1.5 through 3 hp applications.
- Use relay 115 031 602 for 5-15 hp applications.
- Use the next size larger cable than is specified in the 230 V table.
- Boost transformers are an alternative to special relay and cable.