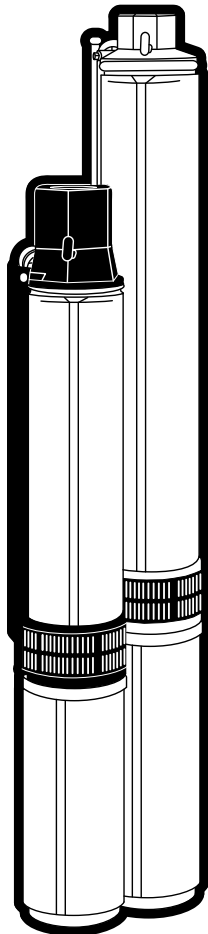




Franklin Electric

# 4" and 6" SUBMERSIBLE PUMPS OWNER'S MANUAL



**BEFORE INSTALLING PUMP, BE SURE TO READ THIS OWNER'S MANUAL CAREFULLY.**

**CAUTION** Fill pump with water before starting or pump will be damaged. The motor on this pump is guaranteed by the manufacturer. In event of failure it must be returned to an authorized service station for repairs. Motor warranty is void if repairs are not made by an authorized repair station.

## **INSPECT THE SHIPMENT**

Examine the pump when it is received to be sure there has been no damage in shipping. Should any be evident, report it immediately to the dealer from whom the pump was purchased. Please check the pump package to see that it includes pump, motor, and motor leads (if your pump purchase includes a motor).

## **READ AND FOLLOW SAFETY INSTRUCTIONS**

**!** This is the safety alert symbol. When you see this symbol on your pump or in this manual, look for one of the following signal words and be alert to the potential for personal injury:

**DANGER** warns about hazards that will cause serious personal injury, death or major property damage if ignored.

**WARNING** warns about hazards that **can** cause serious personal injury, death or major property damage if ignored.

**CAUTION** warns about hazards that **will** or **can** cause minor personal injury or major property damage if ignored.

The label **NOTICE** indicates special instructions, which are important but not related to hazards.

**Carefully read and follow all safety instructions in this manual and on pump.**

Keep safety labels in good condition.

Replace missing or damaged safety labels.

## **! WARNING**



**Hazardous voltage. Can shock, burn, or cause death.**

Ground pump before connecting to power supply. Disconnect power before working on pump, motor or tank.

## **! WARNING**

**Wire motor for correct voltage. See "Electrical" section of this manual and motor nameplate.**

## **! WARNING**

Ground motor before connecting to power supply.

## **! WARNING**

Meet National Electrical Code, Canadian Electrical Code, and local codes for all wiring.

## **! WARNING**

Follow wiring instructions in this manual when connecting motor to power lines.

**⚠ WARNING**

**IMPORTANT INFORMATION FOR INSTALLERS OF THIS EQUIPMENT!**

THIS EQUIPMENT IS INTENDED FOR INSTALLATION BY TECHNICALLY QUALIFIED PERSONNEL. FAILURE TO INSTALL IT IN COMPLIANCE WITH NATIONAL AND LOCAL ELECTRICAL CODES, AND WITH FRANKLIN ELECTRIC RECOMMENDATIONS, MAY RESULT IN ELECTRICAL SHOCK OR FIRE HAZARD, UNSATISFACTORY PERFORMANCE, AND EQUIPMENT FAILURE. FRANKLIN INSTALLATION INFORMATION IS AVAILABLE FROM PUMP MANUFACTURERS AND DISTRIBUTORS, AND DIRECTLY FROM FRANKLIN ELECTRIC. CALL FRANKLIN TOLL FREE 800-348-2420 FOR INFORMATION. RETAIN THIS INFORMATION SHEET WITH THE EQUIPMENT FOR FUTURE REFERENCE.

**⚠ WARNING**

SERIOUS OR FATAL ELECTRICAL SHOCK MAY RESULT FROM FAILURE TO CONNECT THE MOTOR, CONTROL ENCLOSURES, METAL PLUMBING, AND ALL OTHER METAL NEAR THE MOTOR OR CABLE, TO THE POWER SUPPLY GROUND TERMINAL USING WIRE NO SMALLER THAN MOTOR CABLE WIRES. TO REDUCE RISK OF ELECTRICAL SHOCK, DISCONNECT POWER BEFORE WORKING ON OR AROUND THE WATER SYSTEM. DO NOT USE MOTOR IN SWIMMING AREAS.

**INSTALLATION RECORDS**

It is good idea to keep an accurate record of your installation. Be sure to record the data below:

<b>Purchased From:</b>			
<b>Date of Installation:</b>			
<b>Pump Model No.*</b>			
<b>Pump Date Code*</b>			
<b>Well Inside Dia.(in/mm):</b>			
<b>Depth of Well(ft/m):</b>			
<b>Depth of Water(ft/m):</b>			
<b>Pump Setting(ft/m):</b>			
<b>Drop Pipe Size:</b>			
<b>Wire Size(pump to control box):</b>			
<b>Wire Size(control box to power source):</b>			
<b>Horizontal Offset(between well &amp; house):</b>			
<b>Make of Motor*</b>			
<b>Amps</b>	<b>HP</b>	<b>Volts</b>	<b>Ph</b>
<b>Make of Control Box</b>			
<b>HP</b>		<b>Volts</b>	
<b>Power Supply</b>			
<b>Volts</b>		<b>HZ</b>	
<b>Pressure Switch (PSI)</b>			
<b>Cut-in</b>		<b>Cut-out</b>	

\* This Information is on your pump or motor tag. It will help us identify your pump in case of later inquiries.

**TEST RUNNING**

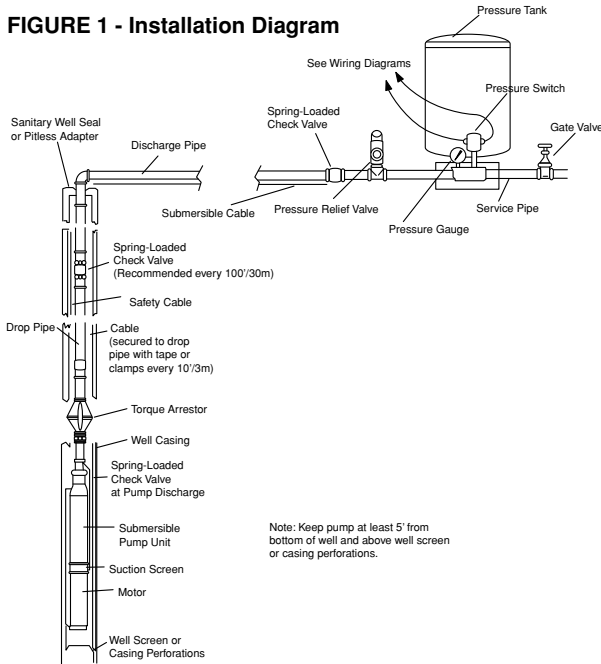
If test running pump before installation:

1. Insure that the power supply corresponds with that shown on the nameplate of the motor and control box. (if required).
2. Install pump and components appropriate for the test as shown in Fig. 1.
3. Make sure power supply is turned off and circuit breaker or disconnect switch is open. Make electrical connections appropriate to your motor as shown in Fig. 2, 3 or 4.
4. THREE-PHASE UNIT - A three-phase motor requires a magnetic starter equipped with quick-trip, ambient compensated heaters of correct size for the horsepower of the motor. To insure correct rotation of three-phase units, brace pump shell securely and apply power momentarily by snapping line switch quickly on and off.

If rotation is correct, reaction of the shell will be clockwise when viewed from pump discharge (that is, pump shaft will rotate counter clockwise). Interchange any two leads at magnetic starter to reverse rotation.

- Run pump and motor unit for a few seconds to ensure that it is in working order.

**FIGURE 1 - Installation Diagram**



- A safety cable to prevent loss of pump if pipe should break.

**NOTICE: IT IS RECOMMENDED THAT STEEL CABLE BE USED FOR THE PURPOSES OF SECURING THE PUMP. 3/16" DIAMETER TO 1/4" DIAMETER BRAIDED STEEL CABLE IS SUFFICIENT TO SUPPORT MOST PUMP/MOTOR SYSTEMS. IT IS ALWAYS BEST TO CONFIRM THAT THE PUMP/MOTOR SYSTEM DOES NOT EXCEED THE MAXIMUM WEIGHT LIMIT OF THE CABLE SELECTED.**

- Torque arrestor just above pump to prevent chafing the cable when pump and pipe twist during the starting and stopping cycle. (See Figure 1)

Schedule 40 galvanized pipe is suitable for settings to 600 feet(180m). For deeper settings, use schedule 40 pipe for the bottom 600 feet (180m), and schedule 80 for the remainder.

Take great care to keep pipes clean and free from pebbles, scale and thread chips. Make sound, air-tight connections at all fittings. Pipe sealant is recommended.

## **CHECK VALVES**

Many pumps have a built-in or externally supplied check valve. For a pump without one, install a check valve immediately above the pump. Install an additional check valve above the ground. If the pump is more than 100 feet (30m) below the wellhead, install another check valve in the drop pipe 100 feet (30m) above it. For pump settings deeper than 200 feet (60m), install additional check valves at intervals of 100 feet (30m).

## **SUITABILITY OF WELL**

Install the pump only in a well that has been properly developed. Water from an undeveloped well often contains an excessive amount of sand, dirt, and abrasives which can damage the pump. Check that the well is large enough to allow the pump to be set at the required depth. Do not set the pump below the casing perforations or well screen unless you make arrangements to ensure an adequate flow of water over the motor for cooling purposes. Determine the correct pump setting from the driller's record by taking into account the static water level and the drawdown at the proposed pumping rate. Keep the pump at least five feet from the bottom of a drilled well.

## **SPLICING THE POWER CABLE**

Follow the instructions enclosed in the cable splicing kit you purchase.

## **DROP PIPE**

Galvanized pipe is recommended for suspending submersible pumps into the well. Plastic pipe may be used only when observing the plastic pipe manufacturer's recommendations of depth and pressure. Give special consideration to:

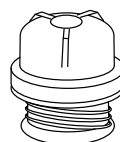
## **REMOVABLE POPPET CHECK VALVE**

4" submersible pumps with a 1-1/4" discharge are supplied with a spring-loaded REMOVABLE poppet style check valve assembly. The check valve can be removed from the pump discharge when the pump is installed in applications where drain back is desired.

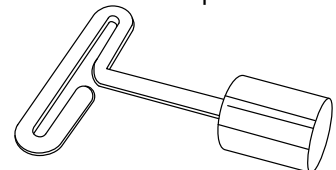
**⚠ WARNING Fluid draining back through the pump can cause the pump to rotate backwards. If pump/motor starts during this time; damage to the pump can occur.**

The check valve can be removed with the use of the T-Handle Poppet Wrench(part no. 23498207), ordered separately, or, with standard needle nose pliers. The poppet assembly is left hand threaded and is removed by turning CLOCKWISE.

If reinstalling a Poppet Check Valve assembly, the assembly should be tightened to 15 inch-pounds.



Poppet Assembly



T-Handle Poppet Wrench

## **INSTALLATION OF PUMP, DROP PIPE, AND ASSOCIATED EQUIPMENT**

Fig. 1 illustrates a typical well installation showing in-ground components. Franklin recommends the following procedure when installing the pump and drop pipe:

1. Prior to fastening the pump/motor assembly to the drop pipe, confirm that the motor's lead wires are securely housed under lead guard which was supplied with the pump. Fastening screws have been provided for use during the lead guard's installation.
2. Fasten the submersible cable to the drop pipe with clamps or appropriate tape every 10 ft. (3m) to prevent tangling and damage to the cable. The cable must remain slack when using plastic drop pipe to allow for stretching of pipe when installed in the well.
3. Take care not to scrape or pinch the submersible cable against the well casing.
4. Use an ohmmeter or megger to make insulation and continuity checks on the cable once the pump is installed. This locates any fault in the cable.
5. Make sure a check valve is installed immediately above the pump. Install additional check valves at 100' (30m) intervals.
6. Install a torque arrestor just above the pump to prevent chafing the cable when pump and pipe twist during starting and stopping.
7. Attach a safety cable to pump to prevent loss of pump if pipe should break.

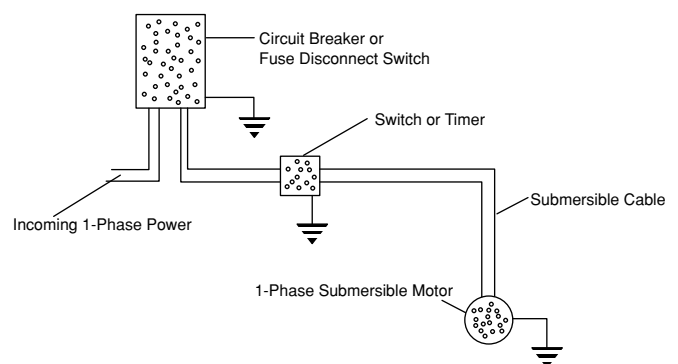
**NOTICE: IT IS RECOMMENDED THAT STEEL CABLE BE USED FOR THE PURPOSES OF SECURING THE PUMP. 3/16" DIAMETER TO 1/4" DIAMETER BRAIDED STEEL CABLE IS SUFFICIENT TO SUPPORT MOST PUMP/MOTOR SYSTEMS. IT IS ALWAYS BEST TO CONFIRM THAT THE PUMP/MOTOR SYSTEM DOES NOT EXCEED THE MAXIMUM WEIGHT LIMIT OF THE CABLE SELECTED.**

8. Place a sanitary well seal or pitless adapter with an approved cover plate over top of well per manufacturers recommendations.
9. Keep pump at least 5' (1.5m) from bottom of well and above well screen or casing perforations.

## **ELECTRICAL INFORMATION**

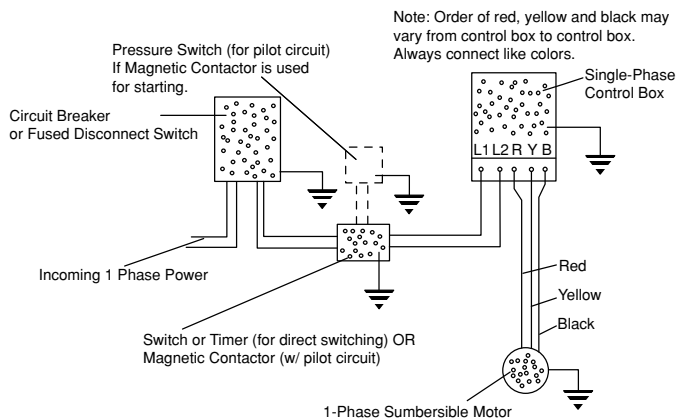
1. Employ a licensed electrician to perform the wiring. All wiring must be done in accordance with applicable national and local electrical codes.
2. Check that the power supply corresponds with the electrical rating of the submersible motor and the control box(if required). Make sure that the control box electrical rating matches the motor electrical rating.
3. Every installation requires a fused disconnect switch or circuit breaker.
4. Every installation must be grounded. There must be a reliable ground connection between the pump and the distribution panel. The motor lead incorporates a green grounding conductor.
5. Lightning arrestors are recommended for every installation. All stainless steel, single phase motors thru 5HP have built-in lightning arrestors. Any 6" motor or 4", 3-phase motor requires a separate lightning arrestor installed as close to the wellhead as possible. Install the arrestor in accordance with manufacturers recommendations. A lightning arrestor provides protection against induced voltage surges on
6. Mount the control box in an area protected from rain, snow, direct sunlight or other high temperatures as this may cause tripping of the overload protector. Also protect the control box from extreme cold (below 25°F/-32°C) as this may have adverse effects on starting capacitor.
7. A two-wire pump does not require a motor control box, since all electrical components are built inside the motor. Fig. 2 shows a typical wiring diagram for a two-wire installation.

**FIGURE 2 - 2 WIRE, 1-Phase, 1/2 thru 1-1/2 HP Pump Wiring Diagram**



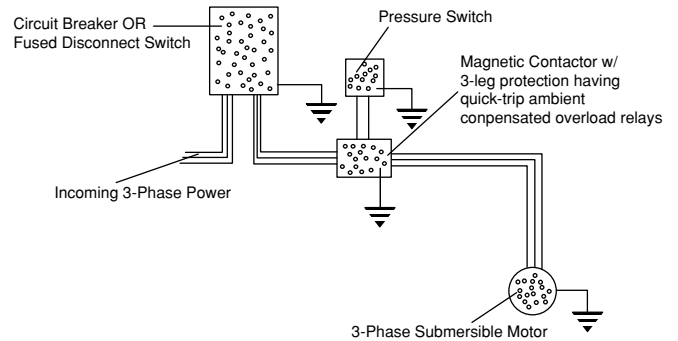
8. A three-wire, single-phase pump requires a motor control box incorporating overload relays. Fig. 3 shows a typical wiring diagram for a three-wire, single-phase installation. Note that a magnetic contactor must be used if the pressure switch electrical rating is not sufficient to handle the submersible motor electrical rating. The pressure switch would then be incorporated into a pilot circuit to control the magnetic contactor. Make the connections at the control box in accordance with the wiring diagram in the control box to avoid damage to the motor.

**FIGURE 3 - 3-WIRE, 1-Phase, 1/2 thru 3 HP Pump Wiring Diagram**



9. A three-phase pump does not require a motor control box. Fig. 4 shows a typical wiring diagram for a 3-wire, three-phase installation. A magnetic contractor with 3-leg protection having quick-trip ambient compensated overload relays must be used.

**FIGURE 4 - 3-Wire, 3-Phase, 1-1/2 thru 50 HP Pump Wiring Diagram**



10. Use an ohmmeter to make continuity and insulation checks after the installation is completed.
11. Place the additional motor label with the pump label and place both in the disconnect switch or circuit breaker box for future reference.

## WELL TEST

Check the pump and well performance before making the final connection to the discharge system.

1. Install a gate valve on the end of the pipe. Partially open the valve.
2. Start the pump.
3. Open valve gradually to give full flow.
4. If the discharge is not clear, let the pump run until water clears. If water does not clear in 30 minutes, stop the pump and take the necessary steps to correct the condition. After the water has appeared clear, check for sand by discharging into a clean bucket or suitable container.
5. Close valve until maximum required system flow rate is obtained (this should correspond to the cut-in pressure of the pressure switch). Ensure that the output of the pump at this setting is not greater than the yield of the well. This can be checked by monitoring the well drawdown level and ensuring that the level is stable at the maximum required system flow rate.

**CAUTION** Never run pump unless it is completely submerged in water. If run without water, the pump and motor could be damaged. Note also that air drawn into the pump can cause an airlock under certain conditions.

## **LOW-YIELDING WELL**

A low-yielding well exists when the output from the pump is greater than the yield of the well. It can reduce the water level to the suction screen so that a mixture of air and water enters the pump. Pumping may stop since the pump cannot generate pressure with insufficient water. In this case, the column of water already in the drop pipe holds the check valve closed and an airlock may develop inside the pump. Because the conditions ensure neither adequate lubrication of the pump nor proper cooling for the motor, damage can result if power is not cut off quickly. Use one or more of the following methods to correct and/or protect this installation.

1. Install additional length of drop pipe to place pump lower in well if possible.
2. Install a Franklin Pumptec or similar electronic drawdown sensor.
3. Install a floatless liquid level control. This device consists of an electrical relay activated by currents flowing through the ground-return circuits of electrodes hung in the well. The lower (STOP) electrode, just above the pump, ensures that the water level can never be pumped down to the suction screen. The upper (START) electrode, just below the lowest static water level, ensures that the pump can start again as soon as the well has recovered. A floatless liquid level control works in series with the pressure switch. Refer to the manufacturers instructions provided with control.
4. Install a flow control valve in the discharge line upstream from the pressure switch. This restricts the output from the pump without affecting the rate that water can be drawn from the pressure tank. Nevertheless, a heavy demand for water could empty the pressure tank, so a tank with a bonded diaphragm, air cell, or water bag is recommended.
5. Install a smaller pump to avoid over pumping the well. Have dealer size pump to the well yield.
6. Install a low-pressure cut-off switch. A low pressure cut off switch, or a pressure switch with such an arrangement built in, protects a shallow-well pump from losing its prime, but it does not always provide satisfactory protection to a submersible pump from the effects of over pumping the well. This is because it responds to a loss of pressure at the surface, which may occur after an air lock has formed inside the pump. We recommend either a floatless liquid level control or a flow control valve, in that order, in preference to a low-pressure cutoff switch as protection against over pumping.

## **DISCHARGE PLUMBING**

Fig. 1 illustrates a typical well installation showing above ground components. Adhere to the following items when installing the discharge plumbing.

1. Install an above ground check valve upstream from the pressure switch.
2. Always install a pressure relief valve in the system. The relief valve should be capable of discharging the flow rate of the pump at the rated working pressure of the pressure tank. Locate the relief valve close to the pressure tank.
3. Install a pressure switch between the check valve and the pressure tank. Refer to Fig. 2, 3, or 4 for proper wiring connections of pressure switch.
4. Install a pressure tank as close as possible to the pressure switch. Refer to manufacturer's recommendations for installation.

## **TROUBLESHOOTING**

### **1. PUMP FAILS TO START**

- a) Electrical trouble - call dealer or electrician.
- b) Drawdown protection device has pump turned off.
- c) Overload tripped.
- d) Reset low pressure cutoff switch (if installed).

### **2. PUMP FAILS TO DELIVER WATER**

- a) Air lock in pump.
- b) Clogged intake screen.
- c) Insufficient well yield.

### **3. PUMP GIVES REDUCED OUTPUT**

- a) Insufficient well yield.
- b) Worn pump.
- c) Clogged intake screen.
- d) Low voltage.
- e) Incorrect rotation (3-phase only).

### **4. PUMP CYCLES TOO FREQUENTLY**

- a) Excessive pressure drop between pressure switch and pressure tank.
- b) "Cut-in" pressure at pressure tank too high.
- c) "Cut-out" pressure at pressure tank too low.
- d) Waterlogged pressure tank.
- e) Start and stop electrodes of floatless liquid level control set too close together.
- f) Tank sized too small to meet system requirements.

### **5. OVERLOADS TRIP**

- a) Electrical trouble - call dealer or electrician.

### **6. PRESSURE SWITCH CYCLES RAPIDLY WHEN PUMP STARTS**

- a) Pressure switch too far from pressure tank.
- b) Adjust air charge of tank to manufacturer's recommendations.

# LIMITED WARRANTY\*

## **THIS WARRANTY SETS FORTH THE COMPANY'S SOLE OBLIGATION AND PURCHASER'S EXCLUSIVE REMEDY FOR DEFECTIVE PRODUCT.**

Franklin Electric Company, Inc. and its subsidiaries (hereafter "the Company") warrants that the products accompanied by this warranty are free from defects in material or workmanship of the Company.

The Company has the right to inspect any product returned under warranty to confirm that the product contains a defect in material or workmanship. The Company shall have the sole right to choose whether to repair or replace defective equipment, parts, or components.

The buyer should return the product to the place of purchase for warranty consideration. Subject to the terms and conditions listed below, the Company will repair or replace to the buyer any portion of this product which proves defective due to materials or workmanship of the Company.

The company will consider products for warranty for 12 months (1-year) from the date of installation or for 24 month (2-years) from the date of manufacture, whichever occurs first. This limited warranty extends only to the products purchased directly from Franklin Electric and is not assignable or transferable to any subsequent purchaser or user.

The Company shall IN NO EVENT be responsible or liable for the cost of field labor or other charges incurred by any customer in removing and/or affixing any product, part or component thereof.

The Company reserves the right to change or improve its products or any portions thereof without being obligated to provide such change or improvement to previously sold products.

THIS WARRANTY DOES NOT APPLY TO products damaged by acts of God, including lightning, normal wear and tear, normal maintenance services and the parts used in connection with such service, or any other conditions beyond the control of the Company.

THIS WARRANTY WILL IMMEDIATELY VOID if any of the following conditions are found:

1. Product is used for purposes other than those for which it was designed and manufactured;
2. Product was not installed in accordance with applicable codes, ordinances and good trade practices;
3. Product was not installed by a Franklin Certified Contractor or Franklin Key Dealer; or
4. Product was damaged as a result of negligence, abuse, accident, misapplication, tampering, alteration, improper installation, operation, maintenance or storage, nor to an excess of recommended maximums as set forth in the product instructions.

NEITHER SELLER NOR THE COMPANY SHALL BE LIABLE FOR ANY INJURY, LOSS OR DAMAGE, DIRECT, INCIDENTAL OR CONSEQUENTIAL (INCLUDING, BUT NOT LIMITED TO, INCIDENTAL OR CONSEQUENTIAL DAMAGES FOR LOST PROFITS, LOST SALES, INJURY TO PERSON OR PROPERTY, OR ANY OTHER INCIDENTAL OR CONSEQUENTIAL LOSS), ARISING OUT OF THE USE OR THE INABILITY TO USE THE PRODUCT, AND THE BUYER AGREES THAT NO OTHER REMEDY SHALL BE AVAILABLE TO IT.

THE WARRANTY AND REMEDY DESCRIBED IN THIS LIMITED WARRANTY IS AN EXCLUSIVE WARRANTY AND REMEDY AND IS IN LIEU OF ANY OTHER WARRANTY OR REMEDY, EXPRESS OR IMPLIED, WHICH OTHER WARRANTIES AND REMEDIES ARE HEREBY EXPRESSLY EXCLUDED, INCLUDING BUT NOT LIMITED TO ANY IMPLIED WARRANTY OF MERCHANTABILITY OR FITNESS FOR A PARTICULAR PURPOSE, TO THE EXTENT EITHER APPLIES TO A PRODUCT SHALL BE LIMITED IN DURATION TO THE PERIODS OF THE EXPRESSED WARRANTIES GIVEN ABOVE.

DISCLAIMER: Any oral statements about the product made by the seller, the Company, the representatives or any other parties, do not constitute warranties, shall not be relied upon by the buyer, and are not part of the contract for sale. Seller's and the Company's only obligation, and buyer's only remedy, shall be the replacement and/or repair by the Company of the product as described above. Before using, the user shall determine the suitability of the product for his intended use, and user assumes all risk and liability whatsoever in connection therewith.

Some states and countries do not allow the exclusion or limitations on how long an implied warranty lasts or the exclusion or limitation of incidental or consequential damages, so the above exclusion or limitations may not apply to you. This warranty gives you specific legal rights, and you may also have other rights which vary from state to state and country to country.

\*Contact Franklin Electric Co., Inc. Export Division for International Warranty.





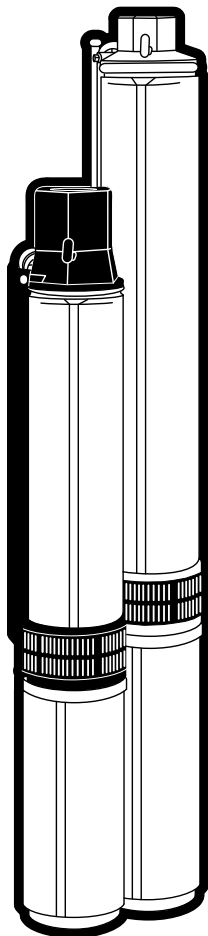




Franklin Electric

# BOMBAS SUMERGIBLES DE 4" y 6" (10 y 15 cm)

## MANUAL DEL PROPIETARIO DE



**ANTES DE INSTALAR ESTA BOMBA CERCÍOARSE DE LEER MINUCIOSAMENTE ESTE MANUAL DEL PROPIETARIO.**

**PRECAUCIÓN** Para evitar dañar la bomba, llénela con agua antes de ponerla en marcha. El motor de esta bomba está garantizado por el fabricante y en caso de fallas debe devolverse a una estación de servicio autorizada para su reparación. La garantía del motor se anulará si las reparaciones son efectuadas por una estación de servicio no autorizada.

### INSPECCIONE EL EMBARQUE

Tras recibirla, examine la bomba para cerciorarse de que no se haya dañado durante el envío. En caso de detectar algún daño evidente, informe inmediatamente al distribuidor a quien adquirió la bomba. Revise el embalaje de la bomba para cerciorarse de que incluya la bomba, el motor y sus cables (si la bomba que compró incluye un motor).

### LEA Y ACATE LAS INSTRUCCIONES DE SEGURIDAD

**!** Éste es el símbolo de alerta de seguridad. Cuando vea este símbolo en la bomba o en el manual, busque una de las siguientes palabras indicadoras y esté atento al peligro potencial de lesiones:


**PELIGRO** advierte sobre peligros que, de ignorarse, **causarán** lesiones graves, letales o daños materiales importantes.

**ADVERTENCIA** advierte sobre peligros que, de ignorarse, **pueden causar** lesiones graves, letales o daños materiales importantes.

**PRECAUCIÓN** advierte sobre peligros que, de ignorarse, **causarán o pueden causar** lesiones leves o daños materiales importantes.

La etiqueta **AVISO** indica instrucciones especiales que son importantes, pero que no están relacionadas con peligros.

**!** **ADVERTENCIA**



**Voltaje peligroso. Puede causar descargas, quemaduras o la muerte.**

Ponga a tierra la bomba antes de conectarla al suministro eléctrico. Desconecte el suministro eléctrico antes de trabajar en la bomba, el motor o el tanque.

**Lea y acate cuidadosamente todas las instrucciones de seguridad indicadas en este manual o en la bomba.**

Mantenga las etiquetas de seguridad en buen estado.

Reemplace las etiquetas faltantes o estropeadas.

**!** **ADVERTENCIA**

**Cablee el motor según el voltaje correcto. En la sección sobre el sistema eléctrico de este manual y en la placa identificatoria del motor encontrará más información al respecto.**

**!** **ADVERTENCIA** Ponga a tierra el motor antes de conectarlo al suministro eléctrico.

**!** **ADVERTENCIA** Cumpla los requisitos del Código Eléctrico Nacional, el Código Eléctrico Canadiense y los códigos locales para todo el cableado.

**!** **ADVERTENCIA** Siga las instrucciones de cableado que se indican en este manual cuando conecte el motor a las líneas eléctricas.

**⚠️ ADVERTENCIA**

**¡INFORMACIÓN IMPORTANTE PARA LOS INSTALADORES DE ESTE EQUIPO!**

ESTE EQUIPO DEBE SER INSTALADO POR PERSONAL TÉCNICAMENTE CALIFICADO. SI NO SE INSTALA ACATANDO LOS CÓDIGOS ELÉCTRICOS NACIONALES Y LOCALES, Y LAS RECOMENDACIONES DE FRANKLIN ELECTRIC, PUEDE CAUSAR DESCARGA ELÉCTRICA O PELIGRO DE INCENDIO, RENDIMIENTO INSATISFACTORIO Y FALLA DEL EQUIPO. LA INFORMACIÓN DE INSTALACIÓN PUEDE SOLICITARSE A LOS FABRICANTES Y DISTRIBUIDORES DE LA BOMBA, Y DIRECTAMENTE A FRANKLIN ELECTRIC. LLAME A FRANKLIN SIN COSTO AL 800-348-2420 PARA OBTENER MÁS INFORMACIÓN. CONSERVE ESTA HOJA INFORMATIVA CON EL EQUIPO PARA REFERENCIA FUTURA.

**⚠️ ADVERTENCIA**

SE PUEDE PRODUCIR UNA DESCARGA ELÉCTRICA GRAVE O LETAL SI EL MOTOR, LA CAJA DE CONTROL, LA PLOMERÍA METÁLICA Y OTROS METALES CERCANOS AL MOTOR O CABLE, SE CONECTAN INCORRECTAMENTE AL TERMINAL DE PUESTA A TIERRA DEL SUMINISTRO ELÉCTRICO USANDO UN ALAMBRE DE CALIBRE INFERIOR A LOS DEL MOTOR. PARA REDUCIR EL RIESGO DE DESCARGA ELÉCTRICA, DESCONECTE EL SUMINISTRO ANTES DE EFECTUAR TRABAJOS EN O CERCA DEL SISTEMA DE AGUA. NO USE EL MOTOR EN ZONAS DE NATACIÓN.

**ANTECEDENTES DE INSTALACIÓN**

Es aconsejable mantener un registro preciso de su instalación. Cerciérese de anotar los datos siguientes:

<b>Adquirido en:</b>			
<b>Fecha de instalación:</b>			
<b>No. de modelo de la bomba*</b>			
<b>Código de fecha de la bomba*</b>			
<b>Diá. interno del pozo (pulg/mm):</b>			
<b>Profundidad del pozo (pies/m):</b>			
<b>Profundidad del agua (pies/m):</b>			
<b>Ubicación de la bomba (pies/m):</b>			
<b>Tamaño de la cañería de bajada:</b>			
<b>Calibre del alambre (bomba a caja de control):</b>			
<b>Calibre del alambre (caja de control a suministro):</b>			
<b>Distancia horizontal (entre el pozo y la casa):</b>			
<b>Marca del motor*</b>			
<b>Amps</b>	<b>HP</b>	<b>Voltios</b>	<b>Fase</b>
<b>Marca de la caja de control</b>			
<b>HP</b>		<b>Voltios</b>	
<b>Suministro eléctrico</b>			
<b>Voltios</b>		<b>HZ</b>	
<b>Presostato (lb/pulg<sup>2</sup>)</b>			
<b>Arranque</b>		<b>Corte</b>	

\* Esta información aparece en el rótulo de la bomba o del motor. Nos permitirá identificar la bomba en caso de averiguaciones posteriores.

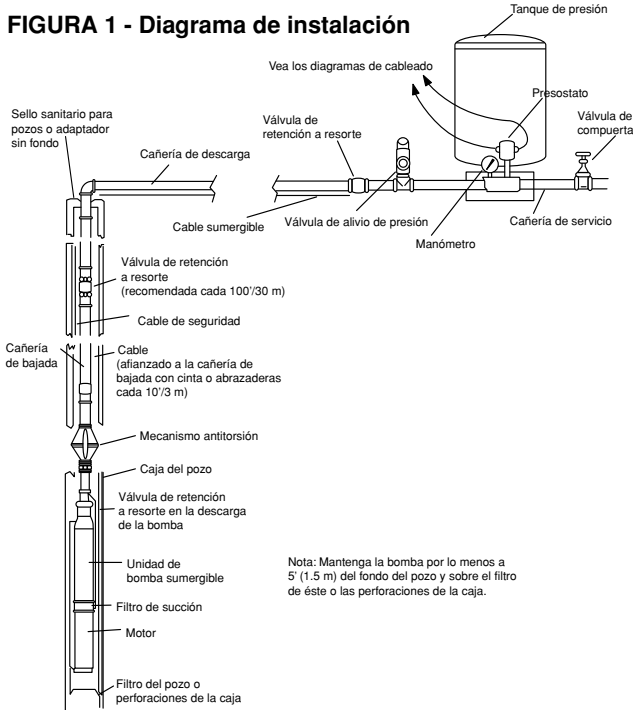
**PRUEBE EL FUNCIONAMIENTO**

Si antes de la instalación va a probar el funcionamiento de la bomba:

1. Cerciérese de que el suministro eléctrico corresponda con el que aparece en la placa identificatoria del motor y la caja de control. (si se requiere).
2. Instale la bomba y los componentes apropiados para la prueba tal como se muestra en la Fig. 1.
3. Cerciérese de que el suministro eléctrico esté apagado y el cortacircuito o interruptor de desconexión esté abierto. Haga las conexiones eléctricas apropiadas en el motor tal como se muestra en la Fig. 2, 3 ó 4.
4. UNIDAD TRIFÁSICA - Un motor trifásico requiere un arrancador magnético equipado con calentadores de compensación ambiental de disparo rápido y tamaño correcto para la potencia del motor. Para garantizar el giro correcto de las unidades trifásicas, afiance firmemente el armazón de la bomba y energícelo momentáneamente encendiendo y apagando rápidamente el conmutador de línea. Si el giro es correcto, el armazón reaccionará en sentido horario al mirarse desde la descarga de la bomba (es decir, el eje de la bomba girará en sentido antihorario). Para invertir el giro intercambie cualquiera de los dos cables en el arrancador magnético.

5. Haga funcionar la bomba y el motor unos cuantos segundos para verificar que estén en buen estado.

**FIGURA 1 - Diagrama de instalación**



**ATENCIÓN: SE RECOMIENDA USAR CABLE DE ACERO PARA ASEGURAR LA BOMBA. UN CABLE DE ACERO TRENZADO DE 3/16" A 1/4" DE DIÁMETRO ES SUFICIENTE PARA SOPORTAR LA MAYORÍA DE LOS SISTEMAS BOMBA/MOTOR. SIEMPRE ES MEJOR CONFIRMAR QUE EL SISTEMA BOMBA/MOTOR NO EXCEDE EL LÍMITE MÁXIMO DE PESO PARA EL CABLE SELECCIONADO.**

2. Mecanismo antitorsión justo arriba de la bomba para no escoriar el cable cuando la bomba y la cañería giren durante el ciclo de arranque y parada. (Consulte la Figura 1)

Las cañerías galvanizadas calibre Schedule 40 son aptas para instalaciones a 600 pies (180 m). Para instalaciones más profundas, use cañerías calibre Schedule 40 para los 600 pies (180 m) del fondo, y Schedule 80 para el resto del pozo.

Cerciórese de mantener las cañerías limpias y libres de guijarros, escamas y virutas de roscas. Conecte todos los herrajes en forma segura y hermética. Se recomienda usar sellante de cañerías.

## VÁLVULAS DE RETENCIÓN

Muchas bombas tienen una válvula de retención incorporada o instalada externamente. Para las bombas que no tengan dicha válvula, instale inmediatamente una encima de la bomba. Instale una válvula adicional sobre el suelo. Si la bomba está a más de 100 pies (30 m) debajo del manantial, instale otra válvula de retención en la cañería de bajada a 100 pies (30 m) sobre la misma. Para instalar la bomba a profundidades superiores a 200 pies (60 m), instale válvulas de retención adicionales a intervalos de 100 pies (30 m).

## IDONEIDAD DEL POZO

Instale la bomba sólo en un pozo que haya sido correctamente construido. El agua proveniente de un pozo mal construido suele contener una cantidad excesiva de arena y agentes abrasivos que pueden dañar la bomba. Cerciórese de que el pozo sea lo suficientemente grande para que permita instalar la bomba en la profundidad requerida. No instale la bomba debajo de las perforaciones de la caja ni del filtro del pozo, a menos que haga los ajustes necesarios para garantizar un flujo de agua adecuado sobre el motor para fines de enfriamiento. Determine la ubicación correcta de la bomba conforme los antecedentes que le proporcione el perforista, considerando el nivel estático del agua y el descenso del nivel según la tasa de bombeo propuesta. Mantenga la bomba por lo menos a cinco pies (1.5 m) del fondo del pozo perforado.

## EMPALME DEL CABLE DE ALIMENTACIÓN

Siga las instrucciones que vienen adjuntas en el juego de empalme del cable que adquirió.

## CAÑERÍA DE BAJADA

Se recomienda usar cañería galvanizada para suspender en el pozo toda bomba sumergible. Se puede usar cañería plástica sólo si se acatan las recomendaciones de presión y profundidad del fabricante de la cañería. Preste especial atención a:

1. Un cable de seguridad para evitar la pérdida de la bomba si la cañería se rompe.

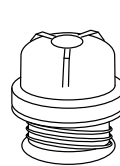
## VÁLVULA DE RETENCIÓN RETIRABLE CON VÁSTAGO

Las bombas sumergibles de 4" (10 cm) con descarga de 1-1/4" (3 cm) se proporcionan con un conjunto de válvula de retención a resorte estilo vástago RETIRABLE. Dicha válvula se puede retirar de la descarga de la bomba cuando la bomba se instala en aplicaciones donde se desea contar con retrovaciado.

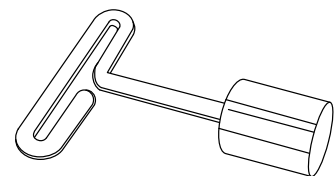
**ADVERTENCIA** El líquido que se vacía de regreso por la bomba puede hacer que ésta gire hacia atrás. Si la bomba/motor arrancan durante este instante, la bomba podría dañarse.

La válvula de retención se puede retirar usando una llave de vástago con mango en T (No. de pieza 23498207), la cual se pide por separado, o bien con un alicate normal con puntas de aguja. El conjunto del vástago se rosca hacia la izquierda y se retira girándolo en sentido HORARIO.

Si va a reinstalar un conjunto de válvula de retención con vástago, éste debe apretarse a 15 libras por pulgada.



Conjunto del vástago



Llave de vástago con mango en T

## **INSTALACIÓN DE LA BOMBA, LA CAÑERÍA DE BAJADA Y EL EQUIPO AFÍN**

En la Fig. 1 aparece una instalación de pozo típica mostrando los componentes bajo la superficie. Siga estos pasos cuando instale la bomba y la cañería de bajada:

1. Antes de sujetar el ensamble bomba/motor a la tubería, confirme que los cables del conector del motor están colocados de forma segura dentro del guardacable proporcionado con la bomba. De igual forma se proporcionan tornillos de sujeción para usarse durante la instalación del guardacable.
2. Afiance el cable sumergible a la cañería de bajada con abrazaderas o cinta apropiada a cada 10 pies (3 m) para que no se enrede ni dañe. Cuando se use cañería de bajada plástica, el cable debe permanecer flojo para compensar el alargamiento de la cañería cuando se instale en el pozo.
3. Tenga cuidado de no raspar ni apretar el cable sumergible contra la caja del pozo.
4. Use un ohmímetro o megóhmetro para revisar la continuidad y el aislamiento en el cable tras instalar la bomba. De esta forma localizará fallas en el cable.
5. Cerciórese de instalar una válvula de retención inmediatamente encima de la bomba. Instale válvulas de retención adicionales a intervalos de 100 pies (30 m).
6. Instale un mecanismo antitorsión justo arriba de la bomba para no escoriar el cable cuando ésta y la cañería giren durante el ciclo de arranque y parada.
7. Conecte un cable de seguridad en la bomba para evitar la pérdida de la misma si la cañería se rompe.

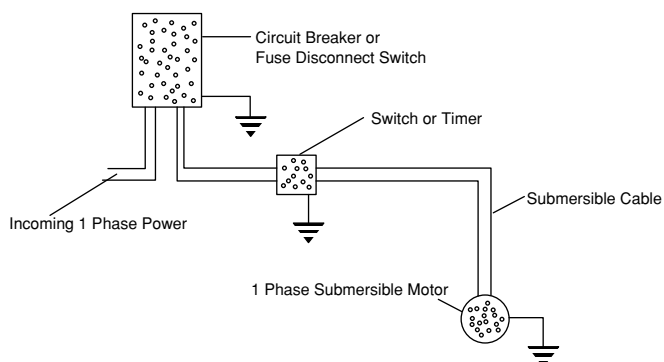
**ATENCIÓN: SE RECOMIENDA USAR CABLE DE ACERO PARA ASEGURAR LA BOMBA. UN CABLE DE ACERO TRENZADO DE 3/16" A 1/4" DE DIÁMETRO ES SUFICIENTE PARA SOPORTAR LA MAYORÍA DE LOS SISTEMAS BOMBA/MOTOR. SIEMPRE ES MEJOR CONFIRMAR QUE EL SISTEMA BOMBA/MOTOR NO EXCEDE EL LÍMITE MÁXIMO DE PESO PARA EL CABLE SELECCIONADO.**

8. Coloque un sello sanitario para pozos o un adaptador sin fondo con una placa protectora aprobada en la parte superior del pozo siguiendo las recomendaciones del fabricante.
9. Mantenga la bomba por lo menos a 5' (1.5 m) del fondo del pozo y sobre el filtro del mismo o en las perforaciones de la caja.

## **INFORMACIÓN ELÉCTRICA**

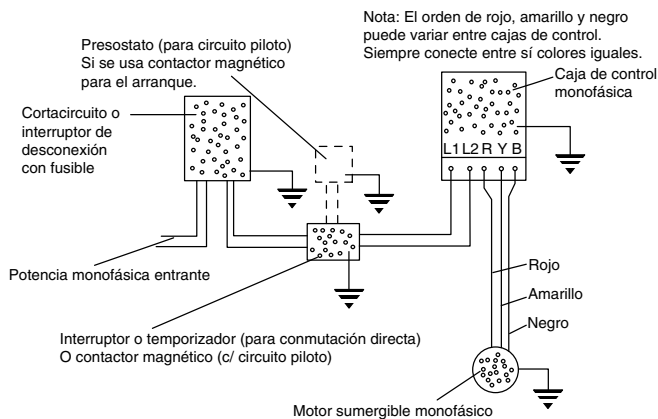
1. Contrate a un electricista licenciado para que realice el cableado. Todo el cableado debe hacerse conforme los códigos eléctricos nacionales y locales pertinentes.
2. Verifique que el suministro eléctrico corresponda con la corriente nominal del motor sumergible y la caja de control (si se requiere). Cerciórese de que la corriente nominal de la caja de control coincida con la corriente nominal del motor.
3. Cada instalación requiere un interruptor de desconexión con fusible o cortacircuito.
4. Cada instalación debe estar puesta a tierra. Debe existir una conexión a tierra segura entre la bomba y el panel de distribución. El cable del motor incluye un conductor verde de puesta a tierra.
5. Se recomienda usar pararrayos para cada instalación. Todos los motores monofásicos de acero inoxidable hasta 5HP tienen pararrayos incorporados. Todo motor trifásico de 6" ó 4" (15 y 10 cm) requiere un pararrayos aparte instalado lo más cerca posible del manantial. Instale el pararrayos según las recomendaciones del fabricante. El pararrayos brinda protección contra sobretensiones inducidas en las líneas eléctricas secundarias; no es eficaz contra golpes directos.
6. Monte la caja de control en un área protegida contra la lluvia, nieve, la luz directa del sol u otras temperaturas altas, ya que ello puede causar la disyunción del protector de sobrecarga. Proteja también la caja de control contra el frío extremo (inferior a 25°F/-32°C) ya que puede causar efectos adversos al arrancarse el condensador.
7. Una bomba de dos alambres no requiere una caja de control del motor, pues todos los componentes eléctricos están incorporados dentro del mismo. En la Fig. 2 aparece un diagrama de cableado típico de una instalación de dos alambres.

**FIGURE 2 - 2 WIRE, 1 Phase, 1/2 thru 1-1/2 HP Pump Wiring Diagram**



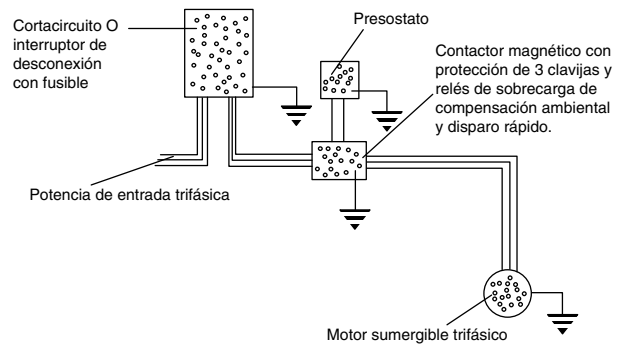
8. Una bomba monofásica de tres alambres requiere una caja de control del motor que incorpore relés de sobrecarga. En la Fig. 3 aparece un diagrama de cableado típico de una instalación monofásica de tres alambres. Tenga presente que se debe usar un contactor magnético si la corriente nominal del presostato no es suficiente para soportar la corriente nominal del motor sumergible. Luego el presostato debe incorporarse en un circuito piloto para controlar el contactor magnético. Para no dañar el motor haga las conexiones en la caja de control según el diagrama de cableado que viene en la misma.

**FIGURA 3 - Diagrama de cableado de la bomba de 3 ALAMBRES, monofásica, de 1/2 a 3 HP**



9. Una bomba trifásica no requiere una caja de control del motor. En la Fig. 4 aparece un diagrama de cableado típico de una instalación trifásica de 3 alambres. Se debe usar un contactor magnético con protección de 3 clavijas que tenga relés de sobrecarga de compensación ambiental y disparo rápido.

**FIGURA 4 - Diagrama de cableado de la bomba de 3 ALAMBRES, trifásica, de 1-1/2 a 50 HP**



10. Tras completar la instalación, use un ohmímetro para revisar la continuidad y el aislamiento.
11. Junte la etiqueta adicional del motor con la etiqueta de la bomba y colóquelas en el interruptor de desconexión o la caja del cortacircuito como referencia futura.

## PRUEBA DEL POZO

Antes de hacer la conexión final al sistema de descarga, revise el rendimiento de la bomba y el pozo.

1. Instale una válvula de compuerta en el extremo de la cañería. Abra parcialmente la válvula.
2. Arranque la bomba.
3. Abra gradualmente la válvula para darle pleno flujo.
4. Si la descarga es turbia, deje que la bomba funcione hasta que el agua se aclare. Si no se aclara en 30 minutos, detenga la bomba y adopte las medidas necesarias para corregir el problema. Una vez que el agua se haya aclarado, vea si contiene arena descargándola en un cubo limpio u otro recipiente apto.
5. Cierre la válvula hasta generar el flujo máximo requerido por el sistema (éste debe corresponder a la presión de corte del presostato). Cerciórese de que el caudal de la bomba en este ajuste no sea superior al rendimiento del pozo. Ello se puede verificar supervisando el descenso del nivel del pozo y cerciorándose de que el nivel permanezca estable en el flujo de salida máximo requerido por el sistema.

**PRECAUCIÓN** Nunca haga funcionar la bomba sino hasta que esté completamente sumergida. Si la hace funcionar sin agua, la bomba y el motor podrían dañarse. Tenga presente también que el aire que ingrese a la bomba puede originar una exclusiva de aire.

## **POZO DE BAJO RENDIMIENTO**

Un pozo es de bajo rendimiento cuando su producción es inferior al caudal de la bomba. Puede bajar el nivel del agua hasta llegar al filtro de succión, lo cual permite que ingrese una mezcla de aire y agua a la bomba. El bombeo puede detenerse ya que la bomba no puede generar presión con poca agua. En este caso, la columna de agua que ya está en la cañería de bajada mantiene cerrada la válvula de retención y dentro de la bomba se puede originar una exclusiva de aire. Debido a que las condiciones no aseguran la lubricación adecuada de la bomba ni el enfriamiento correcto del motor, se puede producir daño si el suministro eléctrico no se corta rápidamente. Use uno o más de los métodos siguientes para corregir y/o proteger esta instalación.

1. Si es posible instale un tramo adicional de cañería de bajada para colocar la bomba más abajo en el pozo.
2. Instale un sensor electrónico de descenso del nivel Franklin Pumptec o uno similar.
3. Instale un control de nivel de líquido sin flotador. Este dispositivo consta de un relé eléctrico activado por corrientes que fluyen por los circuitos de retorno por tierra de los electrodos suspendidos en el pozo. El electrodo inferior (PARADA), justo arriba de la bomba, garantiza que el nivel del agua nunca baje hasta llegar al filtro de succión. El electrodo superior (ARRANQUE), justo debajo del nivel estático de agua más bajo, garantiza que la bomba pueda arrancar nuevamente apenas el pozo se haya recuperado. El control del nivel del líquido sin flotador funciona en serie con el presostato. En las instrucciones del fabricante que vienen con el control encontrará más información.
4. Instale una válvula reguladora de flujo en la línea de descarga aguas arriba del presostato. Ésta restringe el caudal de la bomba sin afectar la tasa a la cual se puede extraer el agua del tanque de presión. No obstante, una gran demanda de agua podría vaciar el tanque de presión, por lo que se recomienda usar un tanque con diafragma, alveolo o bolsa de agua.
5. Instale una bomba más pequeña para no bombear excesivamente el pozo. Pídale al distribuidor que ajuste la bomba según el rendimiento del pozo.
6. Instale un interruptor eléctrico de baja presión. Un interruptor eléctrico de baja presión o un presostato con tal disposición incorporada, protege la bomba de un pozo poco profundo para que no pierda el cebado, pero no siempre protege satisfactoriamente a la bomba sumergible de los efectos del bombeo excesivo del pozo. Esto se debe a que responde a una pérdida de presión en la superficie, la cual puede producirse después de que se ha formado una exclusiva de aire dentro de la bomba. Como protección contra el bombeo excesivo recomendamos usar preferentemente un control de nivel de líquido sin flotador, o en su defecto una válvula reguladora de flujo, en lugar de un interruptor eléctrico de baja presión.

## **PLOMERÍA DE DESCARGA**

En la Fig. 1 aparece una instalación de pozo típica mostrando los componentes sobre la superficie. Siga estos pasos cuando instale la plomería de descarga.

1. Instale una válvula de retención sobre la superficie aguas arriba del presostato.
2. Siempre instale una válvula de alivio de presión en el sistema. Dicha válvula debe poder descargar el flujo de salida de la bomba a la presión nominal de trabajo del tanque de presión. Ubique la válvula de alivio cerca del tanque de presión.
3. Instale un presostato entre la válvula de retención y el tanque de presión. En la Fig. 2, 3 ó 4 encontrará las conexiones de cableado del presostato.
4. Instale un tanque de presión lo más cerca posible del presostato. En las recomendaciones del fabricante encontrará información de instalación.

## **SOLUCIÓN DE PROBLEMAS**

### **1. LA BOMBA NO ARRANCA**

- a) Problema eléctrico - llame al distribuidor o electricista.
- b) La protección contra descenso del nivel apagó la bomba.
- c) Sobrecarga disyuntada.
- d) Reinicie el interruptor eléctrico de baja presión (si está instalado).

### **2. LA BOMBA NO SUMINISTRA AGUA**

- a) Exclusa de aire en la bomba.
- b) Filtro de entrada obstruido.
- c) Rendimiento del pozo insuficiente.

### **3. LA BOMBA PRODUCE UN CAUDAL REDUCIDO**

- a) Rendimiento del pozo insuficiente.
- b) Bomba desgastada.
- c) Filtro de entrada obstruido.
- d) Voltaje bajo.
- e) Giro incorrecto (trifásico solamente).

### **4. LA BOMBA CICLA CON DEMASIADA FRECUENCIA**

- a) Caída de presión excesiva entre el presostato y el tanque de presión.
- b) Presión de arranque demasiado alta en el tanque de presión.
- c) Presión de corte demasiado baja en el tanque de presión.
- d) Tanque de presión anegado.
- e) Electrodos de arranque y parada del control de nivel de líquido sin flotador, instalados demasiado cerca entre sí.
- f) Tanque demasiado pequeño para cumplir los requisitos del sistema.

### **5. DISYUNCIÓN POR SOBRECARGAS**

- a) Problema eléctrico - llame al distribuidor o electricista.

### **6. EL PRESOSTATO CICLA RÁPIDAMENTE AL PONERSE EN MARCHA LA BOMBA**

- a) Presostato demasiado lejos del tanque de presión.
- b) Ajuste el tanque de carga según las recomendaciones del fabricante.

# GARANTÍA LIMITADA\*

## **ESTA GARANTÍA ESTABLECE LAS OBLIGACIONES QUE LE CORRESPONDEN A LA COMPAÑÍA Y EL RESARCIMIENTO QUE LE CORRESPONDE EXCLUSIVAMENTE AL COMPRADOR EN CASO DE QUE EL PRODUCTO SEA DEFECTUOSO.**

Franklin Electric Company, Inc. y sus subsidiarias (en adelante "la Compañía") garantiza que los productos que cubre esta garantía carecen de defectos en cuanto al material o la mano de obra de la Compañía.

La Compañía tiene derecho a inspeccionar todo producto devuelto en garantía para confirmar si contiene defectos en el material o la mano de obra. La Compañía tendrá el derecho exclusivo de elegir si reparará o reemplazará el equipo, las piezas o los componentes defectuosos.

El comprador deberá enviar el producto al lugar de compra para hacer uso de la garantía. Con sujeción a los términos y las condiciones que se enumeran a continuación, la Compañía reparará o reemplazará para el comprador cualquier parte de este producto que resulte ser defectuosa a causa de los materiales o la mano de obra de la Compañía.

La compañía considerará dentro de garantía un producto durante 12 meses (1 año) a partir de su fecha de instalación, o bien 24 meses (2 años) a partir de su fecha de fabricación; cualquiera que ocurra primero. Esta garantía limitada se extiende únicamente a productos comprados directamente a Franklin Electric y no es asignable o transferible a ningún comprador o usuario subsecuente.

La Compañía no se responsabilizará EN NINGÚN CASO ni estará obligada a responder por el costo del trabajo de campo u otros cargos en los que incurra un cliente al retirar y/o instalar un producto, una pieza o un componente de este.

La Compañía se reserva el derecho de cambiar o mejorar sus productos, o parte de ellos, sin tener la obligación de proveer dicho cambio o mejora a los productos que ya se han vendido.

ESTA GARANTÍA NO SE APLICA A los productos dañados por sucesos de fuerza mayor, incluyendo descargas eléctricas, el desgaste normal del producto, los servicios habituales de mantenimiento y las piezas que se utilicen en relación con dichos servicios, o por cualquier otra condición que escape al control de la Compañía.

ESTA GARANTÍA SE ANULARÁ DE INMEDIATO si se presenta cualquiera de las siguientes condiciones:

1. El producto se utiliza para otros propósitos distintos de aquellos para los que fue diseñado y fabricado;
2. El producto no se instaló de conformidad con los códigos, los reglamentos y las buenas prácticas comerciales vigentes;
3. El producto no fue instalado por un contratista certificado por Franklin o Franklin Key Dealer; o
4. El producto resultó dañado por negligencia, abuso, accidente, aplicación indebida, modificación, alteración, instalación inadecuada, operación, mantenimiento o almacenamiento o como resultado del abuso de los límites recomendados y establecidos en las instrucciones del producto.

NI EL VENDEDOR NI LA COMPAÑÍA SERÁN RESPONSABLES FRENTE A UNA LESIÓN, PÉRDIDA O DAÑO DIRECTO, INCIDENTAL O EMERGENTE (INCLUIDOS, A TÍTULO ENUNCIATIVO, MAS NO LIMITATIVO, LOS DAÑOS INCIDENTALES Y EMERGENTES POR LUCRO CESANTE, LAS VENTAS NO REALIZADAS, LAS LESIONES A LAS PERSONAS O LA PROPIEDAD, O CUALQUIER OTRA PÉRDIDA INCIDENTAL O EMERGENTE) QUE SURJAN DEL USO O LA IMPOSIBILIDAD DE USO DEL PRODUCTO, Y EL COMPRADOR CONVIENE EN QUE NO PODRÁ EXIGIR NINGÚN OTRO RESARCIMIENTO.

LA GARANTÍA Y EL RESARCIMIENTO DESCRITOS EN ESTA GARANTÍA LIMITADA SON EXCLUSIVOS Y REEMPLAZAN A CUALQUIER OTRA GARANTÍA O RESARCIMIENTO, EXPRESO O IMPLÍCITO, Y POR EL PRESENTE SE EXCLUYEN OTRAS GARANTÍAS Y RESARCIMIENTOS INCLUYENDO, A TÍTULO ENUNCIATIVO, MAS NO LIMITATIVO, TODA GARANTÍA IMPLÍCITA DE COMERCIABILIDAD O IDONEIDAD PARA UN PROPÓSITO DETERMINADO, Y EN LA MEDIDA EN QUE ALGUNO DE LOS DOS SE APLIQUE A UN PRODUCTO, ESTARÁ LIMITADO A LA DURACIÓN DE LOS PERIODOS DE LAS GARANTÍAS EXPRESAS MENCIONADOS ANTERIORMENTE.

DESCARGO DE RESPONSABILIDAD: las declaraciones verbales que el vendedor, la Compañía, los representantes o cualquier otra parte, hagan respecto del producto, no constituirán garantías, ni formarán parte del contrato de venta, ni el comprador se fiará de ellas. La única obligación del Vendedor y la Compañía, y el único resarcimiento a disposición del comprador, será el reemplazo y/o la reparación del producto por parte de la Compañía, de la forma descrita anteriormente. Antes de usar el producto, el usuario determinará la idoneidad de este para su uso previsto, y el usuario asumirá los riesgos y la responsabilidad que deriven de esta acción.

En algunos estados y países no se permite la exclusión o la limitación respecto de cuánto tiempo durará una garantía implícita, ni tampoco la exclusión o la limitación respecto de los daños incidentales o emergentes, de manera que es posible que la exclusión o las limitaciones mencionadas anteriormente en su caso no se apliquen. Esta garantía le concede derechos legales específicos, y también puede tener otros derechos que varían según el estado y el país.

\*Comuníquese con la División de Exportaciones para Garantías Internacionales de Franklin Electric Co., Inc.



**Franklin Electric**

400 East Spring Street, Bluffton, IN 46714  
Tél: 260.824.2900 Fax: 260.824.2909  
www.franklin-electric.com

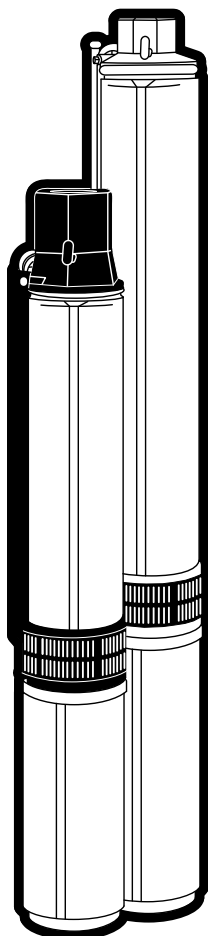






Franklin Electric

# POMPES SUBMERSIBLES 4" ET 6" MANUEL DU PROPRIETAIRE



## INSPECTION DE L'ÉQUIPEMENT

Sur réception de la pompe vérifier si elle n'a pas été endommagée dans le transport. Si un dommage est apparent, le mentionner immédiatement à votre détaillant la pompe fut achetée. Vérifier si l'ensemble de pompe inclut: la pompe, le moteur et les conduits pour moteur (si l'achat de votre pompe inclut un moteur). Ces unités comprendront soit un clapet intégré ou à montage extérieur à même la tête de décharge. Les modèles monophasés, 3 fils, doivent avoir une boîte de contrôle qui devra être commandée séparément et assortie au moteur de la pompe (ex: une boîte de contrôle Franklin pour un moteur Franklin). S'assurer que votre voltage correspond à celui du moteur.

## LIRE ET SUIVRE LES INSTRUCTIONS DE SÉCURITÉ



**Voici le symbole d'avertissement de sécurité.**

Quand vous verrez ce symbole sur votre pompe ou dans ce manuel, regardez pour un des mots-clés ci-dessous et soyez conscient des dangers potentiels de blessures.



**DANGER** Avertis des dangers qui **vont** causer des blessures sérieuses, la mort ou des dommages majeurs à la propriété si ignorés.



**AVERTISSEMENT** Avertis des dangers qui **peuvent** causer des blessures sérieuses, la mort ou des dommages majeurs à la propriété si ignorés.



**ATTENTION** Avertis des dangers qui **peuvent** ou **vont** causer des blessures mineures à la personne et/ou des dommages majeurs à la propriété si ignorés.

La vignette **À NOTER** indique une attention spéciale qui est importante mais non reliée à la sécurité.

**Bien lire et suivre toutes les instructions de sécurité écrites dans ce manuel et sur la pompe.**

Garder les vignettes de sécurité en bonne condition.

Remplacer les vignettes endommagées ou manquantes.



**AVERTISSEMENT**



**Haut Voltage. Peut électrocuter, brûler ou causer la mort.**

Mettre la pompe à la masse avant de brancher au courant principal. Débrancher le courant avant de travailler sur la pompe, le moteur ou le réservoir.



**Adapter le moteur au courant utilisé. Voir la section ÉLECTRIQUE de ce manuel et la plaque signalétique du moteur.**



Mettre le moteur à la masse avant de brancher au courant principal.



Se conformer aux codes électriques nationaux, Canadiens et locaux pour tout branchement électrique.



Suivre les instructions de ce manuel pour le branchement du moteur au réseau principal.

## RECORD D'INSTALLATION

C'est une bonne idée de garder un record exact de votre installation. Voir à compléter les données suivantes.

<b>Acheté de:</b>			
<b>Date d'installation:</b>			
<b>No. de modèle de la pompe*</b>			
<b>Code de date de la pompe*</b>			
<b>Dia. int. du puits:</b>			
<b>Profondeur du puits:</b>			
<b>Profondeur jusqu'au niveau d'eau:</b>			
<b>Dimension du tuyau de descente:</b>			
<b>Dimension du fil:</b>			
<b>De la pompe à la boîte de contrôle:</b>			
<b>De la boîte de cont. à l'alim. élec.:</b>			
<b>Tuyauterie horizontale distante:</b>			
<b>Marque de moteur*</b>			
<b>Amp</b>	<b>C.V.</b>	<b>Volts</b>	<b>Ph</b>
<b>Marque de la boîte de contrôle</b>			
<b>C.V.</b>		<b>Volts</b>	
<b>Alimentation électrique</b>			
<b>Volts</b>		<b>Ph</b>	

\* Cette information est sur l'étiquette de la pompe ou moteur. Ceci nous aidera à identifier la pompe, si nécessaire.

## EXAMINEZ LE FONCTIONNEMENT

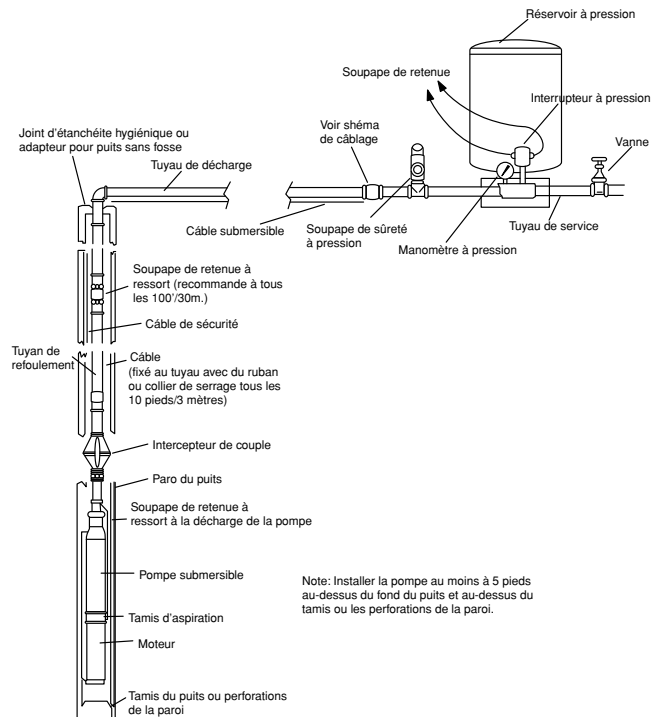
Si un essai doit être fait avant l'installation, verser 1 gallon d'eau dans la décharge, pour s'assurer que la pompe ne démarre pas à sec.

- Vérifier si l'alimentation en courant électrique correspond aux indications données sur les plaques d'identification du moteur et de la boîte de contrôle (si requise)
- Installer la pompe et les composants appropriés pour effectuer l'essai, tel qu'illustré à la figure 1.
- S'assurer que l'alimentation électrique est à la position arrêt et que le coupe-circuit ou disjoncteur est ouvert. Faire les raccords électriques qui correspondent à votre moteur, tel qu'illustré aux figures 2,3, et 4.
- MODÈLES TRIPHASÉS.** Un moteur requiert un démarreur magnétique équipé d'éléments chauffants à déclenchement rapide, compensé pour température ambiante, correspondant à la force du moteur. Pour vous assurer de la bonne rotation des modèles triphasés, soutenir la coquille de pompe solidement et y donner momentanément du courant en mettant

rapidement l'interrupteur de ligne à la position marche et arrêt. Si, en regardant par la décharge de la pompe, la coquille se déplace dans le sens des aiguilles d'une montre, la rotation est bonne. Pour modifier la rotation, interchanger deux des conduits pour moteur du démarreur magnétique.

- Activer la pompe pour quelques secondes afin de vérifier si elle fonctionne bien.

FIGURE 1 - Diagramme D'installation



## CONVENANCE DE PUIITS

Installer la pompe seulement quand le puits a été préparé adéquatement. L'eau d'un puits qui n'a pas été développée comme il se doit contient beaucoup de sable, de saletés et de matières abrasives qui pourraient endommager la pompe. Vérifier si le puits est assez grand pour pouvoir y installer la pompe à la profondeur voulue. Ne pas installer la pompe en bas des perforations de la paroi ou du tamis du puits, à moins que l'installation soit faite pour assurer un débit d'eau adéquat au-dessus du moteur, pour les besoins de refroidissement. Déterminer, d'après les records d'installation du foreur, où la pompe doit être installée en tenant compte du niveau statique de l'eau et du niveau de tirage d'eau, au taux de pompage proposé. Installer la pompe au moins à 5 pieds au-dessus du fond du puits foré.

## RACCORDEMENT DU CÂBLE ÉLECTRIQUE

Suivre les instructions incluses avec la trousse de raccordement pour câble.

## **TUYAU DE DESCENTE**

Il est recommandé d'installer du tuyau galvanisé pour les pompes submersibles installées dans les puits. Si du tuyau de plastique est utilisé, suivre les recommandations du fabricant de la tuyauterie de plastique, en tenant compte de la profondeur et de la pression. Cependant, s'assurer d'avoir en main les items suivants:

1. Un câble de sécurité pour éviter de perdre la pompe, en cas de bris de tuyau.

**NOTICE : IL EST RECOMMANDER DE SÉCURISÉ LA POMPE SUBMERSIBLE À L'AIDE D'UN CÂBLE D'ACIER. UN CÂBLE DE DIAMÈTRE DE 3/16" À 1/4" EST NORMALEMENT SUFFISANT POUR SUPPORTER UNE POMPE SUBMERSIBLE. IL EST RECOMMANDÉ DE BIEN S'ASSURÉ QUE LE CÂBLE POURRA BIEN SUPPORTER CETTE CHARGE.**

2. Amortisseur de couple placé juste au-dessus de la pompe pour prévenir le frottement du fil, quand la pompe et le tuyau se tordent lors du démarrage et l'arrêt de la pompe.

Du tuyau galvanisé de type 40 est approprié pour les installations jusqu'à 600 pieds (180m). Pour des installations plus en profondeur, utiliser du tuyau type 40 pour les premiers 600 pieds (180m) et du type 80 pour la balance qui se trouve au-dessus de 600 pieds (180m).

Prendre soin de garder les tuyaux propres et libres de cailloux, dépôts calcaires, etc... Assurer une étanchéité complète à tous les raccords. Un enduit étanche pour tuyaux est recommandé.

## **SOUPAPES DE RETENUE**

Plusieurs pompes ont une soupape à retenue à ressort, soit qu'elle est déjà incorporée, soit qu'elle est installée. Pour une pompe qui n'a pas de soupape de retenue à ressort, en installer une immédiatement au-dessus de la pompe. Installer une soupape de retenue à ressort additionnelle à la surface.

Si la pompe est plus que 100 pieds (30m) en bas de la tête de puits, installer une autre soupape de retenue dans le tuyau de descente 10 pieds (30m). Au-dessus de la pompe. Pour les installations au-delà de 200 pieds (60m), installer une soupape de retenue additionnelle aux intervalles de 100 pieds (30m).

## **INSTALLATION DE LA POMPE, TUYAU DE DESCENTE ET L'EQUIPMENT S'YRATTACHANT**

La figure 1 illustre une installation typique d'un puits avec les composantes installées dans le sol. A l'installation de la pompe et du tuyau de descente, suivre les instructions suivantes:

1. Avant d'installer la pompe submersible assurez-vous que les fils du moteur sont bien recouverts par le garde-fil fournit avec la pompe. Des vis d'attachement sont fournies pour bien maintenir le garde-fil en place.

2. Attacher le câble au tuyau de descente avec des colliers de serrage ou du ruban approprié a tous les 10 pieds (3m) pour éviter qu'il ne s'entortille et ne s'endommage. Le câble doit être lâche quand l'installation est faite avec du tuyau de plastique, afin d'obtenir une installation sécuritaire dans le puits.
3. Prendre soin de ne pas égratigner ou pincer le câble contre la paroi du puits.
4. Vous servir d'un ohmmètre ou d'un mégohmmètre pour procéder à des essais de continuité et d'isolation sur le câble, une fois la pompe installée. Ceci permettra de déceler toute défaillance dans le câble.
5. S'assurer d'installer une soupape de retenue immédiatement au-dessus de la pompe. Installer des soupapes de retenue additionnelles aux intervalles de 100 pieds (30m).
6. Si recommandé par votre marchand, installer un amortisseur de couple juste au-dessus de la pompe, pour prévenir le frottement du câble quand la pompe et le tuyau se tordent lors du démarrage et de l'arrêt de la pompe.
7. Attacher un câble de sécurité à la pompe, pour éviter de perdre celle-ci en cas de bris de tuyau.

**NOTICE : IL EST RECOMMANDER DE SÉCURISÉ LA POMPE SUBMERSIBLE À L'AIDE D'UN CÂBLE D'ACIER. UN CÂBLE DE DIAMÈTRE DE 3/16" À 1/4" EST NORMALEMENT SUFFISANT POUR SUPPORTER UNE POMPE SUBMERSIBLE. IL EST RECOMMANDÉ DE BIEN S'ASSURÉ QUE LE CÂBLE POURRA BIEN SUPPORTER CETTE CHARGE.**

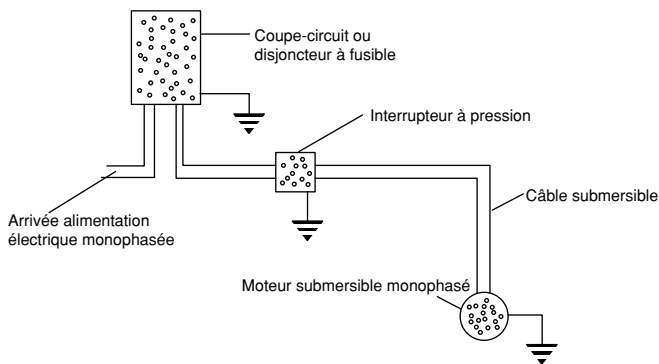
8. Installer un joint d'étanchéité hygiénique ou un couvert d'adaptateur pour puits sans fosse au-dessus du puits, en suivant les recommandations du manufacturier.
9. Installer la pompe au moins à 5 pieds (1.5m) au-dessus du fonds du puits et au-dessus du tamis ou les perforations de la paroi.

## **INFORMATION ÉLECTRIQUE**

1. Utiliser les services d'un électricien compétent pour l'installation du câblage. Tous les raccordements doivent être faits selon le code national et local d'électricité.
2. Vérifier si l'alimentation électrique correspond avec les indications données sur le moteur et la boîte de contrôle (se requise). S'assurer que les données de la boîte de contrôle correspondent avec les données électriques du moteur.
3. Chaque installation requiert un sectionneur à fusibles ou un coupe-circuit.
4. Chaque installation doit avoir une mise à la terre. Il doit y avoir un raccord efficace de mise à la terre entre la pompe et le panneau de distribution. le conduit pour moteur est incorporé d'un conducteur de mise à la terre vert.

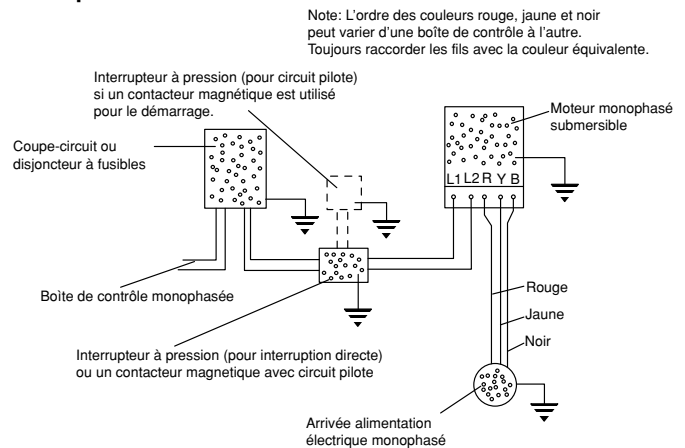
- Des paratonnerres sont recommandés pour chaque installation. Tous les moteurs jusqu'à 5 c.v. monophasés 4" sont incorporés de paratonnerres. Tout moteur triphasé, soit 4" ou 6", requiert un paratonnerre séparé, installé le plus près possible de la tête de puits. (Note: une boîte de contrôle 5 c.v., monophasé raccordée à un moteur 5 c.v. 6" requiert un paratonnerre séparé.) Installer le paratonnerre en suivant les recommandations du fabricant. Un paratonnerre protège contre les surcharges des lignes secondaires mais ne protège pas contre les coups directs.
- Installer la boîte de contrôle dans un endroit protégé de la pluie, neige, lumière directe du soleil ou des températures élevées qui pourraient faire déclencher le protecteur de surcharge. Aussi, protéger la boîte de contrôle des températures extrêmes de froid (sous 25 degrés F/ -32 degrés C) qui pourraient affecter le condensateur de démarrage.
- Une pompe 2 fils ne nécessite pas une boîte de contrôle, les composantes électriques étant incorporées en dedans du moteur. La figure 2 vous montre un schéma typique de câblage pour une installation 2 fils.

**FIGURE 2 - Schéma Câblage Pompe**



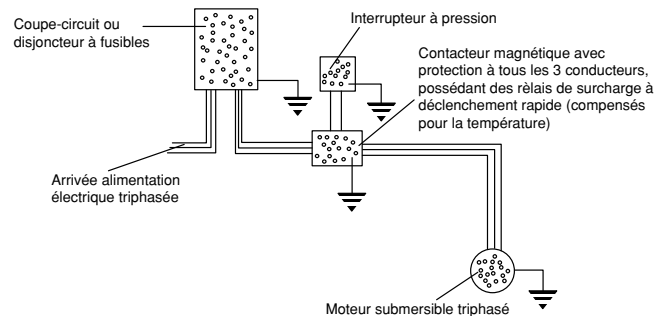
- Une pompe monophasée 3 fils requiert une boîte de contrôle comprenant des relais de surcharge. La figure 3 vous montre un schéma typique du câblage pour une installation monophasée, 3 fils. Prendre note d'utiliser un contacteur magnétique si la capacité électrique de l'interrupteur à pression n'est pas suffisante pour la capacité électrique du moteur submersible. L'interrupteur à pression serait alors incorporé dans un circuit pilote afin de contrôler le contacteur magnétique. Faire les raccordements à la boîte de contrôle, selon le schéma de câblage, dans la boîte de contrôle, ceci afin d'éviter d'endommager le moteur.

**FIGURE 3 - Schéma De Câblage Pour Pompe 3 Fils Monophasée 1/3 c.v. à 1.5 c.v.**



- Une pompe triphasée 3 fils ne requiert pas une boîte de contrôle. La figure 4 vous montre un schéma typique de câblage pour une installation triphasée, 3 fils. Un contacteur magnétique avec protection à tous les 3 conducteurs possédant des relais de surcharge à déclenchement rapide (compensés pour la température) doit être utilisé.

**FIGURE 4 - Schéma De Câblage Pour Pompe 1-1/2 c.v. à 5 c.v. 3 Fils Triphasée**



- Utiliser un ohmmètre ou un mégohmmètre pour procéder à des essais de continuité et d'isolation, après que l'installation est complétée.
- Apposer la plaque d'identification de la pompe sur l'étiquette de la pompe submersible FPS, Inc. et placer les deux sur le disjoncteur ou sur la boîte du coupe-circuit, pour références futures.

## VÉRIFICATION DU PUIT

Vérifier la pompe et le rendement du puits, avant de faire le dernier raccordement au système de décharge.

- Installer une vanne à l'extrémité du tuyau et ouvrir partiellement la vanne.

2. Démarre la pompe.
3. Ouvrir graduellement la vanne pour obtenir le débit maximal.
4. Si l'eau à la décharge n'est pas claire, laisser la pompe fonctionner jusqu'à ce qu'elle devienne claire. Si dans 30 minutes l'eau n'est pas claire, arrêter la pompe et prendre les moyens nécessaires pour corriger la situation. Après avoir obtenu une eau claire, vérifier le sable en déchargeant dans un seau propre ou tout autre contenant.
5. Fermer la vanne jusqu'à l'obtention maximale du débit d'eau requis. S'assurer que la sortie de la pompe à ce niveau de réglage n'est pas supérieure au rendement du puits; en faire la vérification en surveillant le niveau de tirage d'eau et s'assurer que le niveau reste stable au débit d'eau maximal requis.

**⚠ CAUTION Ne pas faire fonctionner la pompe si elle n'est pas complètement submergée dans l'eau, autrement la pompe et le moteur pourraient s'endommager. Prendre note également que l'air formé dans la pompe peut causer une poche d'air, à certaines conditions.**

### **FAIBLE RENDEMENT DU PUIITS**

Un puits à faible rendement existe quand la sortie de la pompe est supérieure au rendement du puits. Il en résulte une diminution du niveau d'eau au tamis d'aspiration faisant entrer un mélange d'air et eau dans la pompe. Dans ce cas, la colonne d'eau qui se trouve déjà dans le tuyau de descente tiens la soupape de retenue fermée et développe ainsi une poche d'air à l'intérieur de la pompe. Dans ces conditions, la pompe n'est pas lubrifiée adéquatement et le moteur n'est pas refroidi proprement; et il pourrait en résulter des dommages si l'alimentation électrique n'est pas arrêtée rapidement. Suivre une ou plusieurs des recommandations suivantes pour corriger et/ou protéger l'installation:

1. Installer une longueur additionnelle de tuyau pour descendre la pompe plus bas dans le puits se possible.
2. Installer un mécanisme sensitif Pumptec mc de Franklin ou tout autre appareil électronique similaire.
3. Installer un contrôle pour niveau de liquide sans flotteur. Ce dispositif consiste en un relais électrique activé par des courants passant au travers des circuits de retour des électrodes suspendus dans le puits, L'électrode inférieure (arrêt) qui se trouve juste au-dessus de la pompe, permet au niveau d'eau de ne pas descendre plus bas que le tamis d'aspiration. L'électrode supérieure (démarrage), situé juste en-dessous du plus bas niveau d'eau statique, fait démarrer la pompe de nouveau, aussitôt que le puits à récupéré. Un contrôle pour niveau de liquide sans flotteur travaille en série avec l'interrupteur à pression. Vous référer aux instructions du manufacturier fournies avec le contrôle.

4. Installer une soupape de contrôle du débit dans la ligne de décharge avant l'interrupteur à pression. Ceci limite la sortie à partir de la pompe, sans affecter le rendement de l'eau tirée du réservoir à pression. Néanmoins, une forte demande d'eau pourrait vider le réservoir à pression; donc un réservoir à diaphragme ou tout autre dispositif est recommandé, car il empêche l'air d'être évacué dans la ligne de service. Non seulement la décharge d'air dans les robinets serait désagréable, mais l'air évacué du réservoir à pression devrait être remplacé.
5. Installer une pompe plus petite, pour éviter un surpompage au puits. Vous référer à votre dépositaire pour le bon choix de la pompe.
6. Installer un interrupteur de basse pression. Un interrupteur de basse pression ou un interrupteur à pression avec un dispositif intégré protège la pompe pour puits peu profond contre la perte d'amorçage, mais ne donne pas toujours un rendement satisfaisant sur les pompes submersibles contre les effets de surpompage au puits; c'est parce qu'il réagit à une perte de pression à la surface, qui se produit lorsqu'une poche d'air s'est formée à l'intérieur de la pompe. Nous recommandons, soit un contrôle de niveau pour liquide sans flotteur ou une soupape de contrôle du débit, dans cet ordre, de préférence à un interrupteur à pression d'arrêt, comme protection contre le surpompage.

### **PLOMBERIE DE DÉCHARGE**

La figure 1 illustre une installation typique d'un puits avec les composantes installées à la surface. A l'installation de la plomberie de décharge, suivre les instructions suivantes:

1. Installer une soupape de retenue à ressort sur ligne de décharge avant l'interrupteur à pression.
2. Toujours installer une soupape de sûreté à pression dans le système. La soupape de sûreté devrait pouvoir être capable de décharger le débit d'eau de la pompe à la pression demandée du réservoir à pression.
3. Installer un interrupteur à pression entre la soupape de retenue et le réservoir à pression, mais près du réservoir à pression. Vous référer aux figures 2,3, ou 4 pour le raccordement adéquat de l'interrupteur à pression.

## **GUIDE DE DÉPANNAGE**

### **1. La pompe refuse de démarrer:**

- a) Problème d'électricité - appeler le détaillant ou l'électricien.
- b) Dispositif de protection a nis la pompe en position arrêt.
- c) Surcharge se déclenche.
- d) Remettre en marche l'interrupteur de basse pression (si installé).

### **2. La pompe ne donne pas d'eau.**

- a) Poche d'air dans la pompe.
- b) Écran du suction obstrué.
- c) Rendement insuffisant du puits.

### **3. L'interrupteur de surcharge se déclenche.**

- a) Problème d'électricité - appeler le détaillant ou l'électricien.

### **4. Le débit de la pompe est réduit.**

- a) Rendement insuffisant du puits.
- b) Pompe usée.
- c) Écran du suction obstrué.
- d) Bas voltage.
- e) Rotation inexacte (triphase seulement).

### **5. La pompe s'arrête et se remet en marche trop souvent.**

- a) Baisse de pression excessive entre l'interrupteur à pression et le réservoir.
- b) Pression de mise en marche trop haute.
- c) Pression d'arrêt trop faible.
- d) Le réservoir est surchargé d'eau.
- e) Les électrodes d'arrêt et de démarrage du contrôle pour niveau de liquide sans flotteur réglés trop près.
- f) Réservoir trop petit pour rencontrer les exigences du système.

### **6. L'interrupteur à pression arrête et se remet en marche rapidement quand la pompe démarre.**

- a) L'interrupteur à pression trop éloigné du réservoir à pression.
- b) Ajuster le chargeur d'air du réservoir, en suivant les recommandations du manufacturier.

## **ATTENTION!**

### **INFORMATIONS IMPORTANTES POUR L'INSTALLATEUR DE CET EQUIPEMENT**

CET EQUIPEMENT DOIT ETRE INSTALLE PAR UN TECHNICIEN QUALIFIE. SI L'INSTALLATION N'EST PAS CONFORME AUX LOIS NATIONALES OU LOCALES AINSI QU'AUX RECOMMANDATIONS DE FRANKLIN ELECTRIC, UN CHOC ELECTRIQUE, LE FEU, UNE PREFORMANCE NON ACCEPTABLE, VOIRE MEME LE NON FONCTIONNEMENT PEUVENT SURVENIR. UN GUID D'INSTALLATION DE FRANKLIN ELECTRIC EST DESPONIBLE CHEZ LES MANUFACTURIERS DE POMPES, LES DISTRUBUTEURS, OU DIRECTEMENT CHEZ FRANKLIN. POUR DE PLUS AMPLES RENSEIGNEMENTS, APPELEZ SANS FRAIS LE 1-800-348-2420. CONSERVEZ CETTE FEUILLE D'INFORMATION AVEC L'EQUIPEMENT POUR CONSULTATION FUTURE

## **AVERTISSEMENT**

UN CHOC ELECTRIQUE SERIEUZ OU MEME MORTEL EST POSSIBLE, SI L'ON NEGLIGE DE CONNECTER LE MOTEUR, LA PLONBERIE METALLIQUE, BOITES DE CONTROLE ET TOUT METAL PROCHE DU MOTEUR A UN CABLE ALLANT VERS UNE ALIMENTATION D'ENERGIE AVEC BORNE DE MISE A LA TERRE UTILISANT AU MOINS LE MEME CALIBRE QUE LES FILS DU MOTEUR. POUR REDUIRE LE RISQUE DE CHOC ELECTRIQUE. COUPER LE COURANT AVANT DE TRAVAILLER PRES OU UNE ZONE DE BAIGNADE.

## **ATTENTION!**

### **INFORMACION PARA EL INTALADO DE ESTE EQUIPO**

PARA LA INSTALACION DE ESTE EQUIPO, SE REQUIERE DE PERSONAL TECNICO CALIFICADO. EL NO CUMPLIR CON LAS NORMAS ELECTRICAS NACIONALES Y LOCALES, ASI COMO CON LAS RECOMENDACIONES E FRANKLIN ELECTRIC DURANTE SU INSTALACION, PUEDE OCASIONAR: UN CHOQUE ELECTRICO, PELIGRO DE UN INCENDIO, OPERACION DEFECTUOSA E ESTAN DISPONIBLES CON LOS DISTRIBUIDORES, FABRICANTES DE BOMBAS O DIRECTAMENTE CON FRANKLIN ELECTRIC. PUEDE LLAMAR GRATUITAMENTE PARA MAYOR INFORMACION AL TELEFONO 800-348-2420. GUARDAR ESTA INFORMACION JUNTO AL EQUIPO PARA FUTURAS CONSULTAS.

## **ADVERTENCIA**

PUEDE OCURRIR UN CHOQUE ELECTRICO, SERIO O FATAL DEBIDO A UNA ERRONEA CONECCION DEL: MOTOR O POR NO UTILIZAR UN CABLE PARA TIERRA DE CALIBRE IGUAL O MAYOR AL DE LA ALIMENTACION. PARA REDUCIR EL RIESGO DE CHOQUE ELECTRICO. DESCONNECTAR LA ALIMENTACION ELECTRICA ANTES DE INICIAR A TRABAJAR EN EL SISTEMA HIDRAULICO. NO UTILIZAR ESTE MOTOR EN ALBERCAS O AREAS EN DONDE SE PRACTIQUE NATACION.

# GARANTIE LIMITÉE\*

## LA PRÉSENTE GARANTIE ÉTABLIT LA SEULE OBLIGATION DE LA SOCIÉTÉ ET LE RECOURS EXCLUSIF DE L'ACHÉTEUR EN CE QUI A TRAIT À UN PRODUIT DÉFECTUEUX.

Franklin Electric Company, Inc. et ses filiales (ci-après « la Société ») garantissent que les produits accompagnés de la présente garantie sont exempts de défauts de matériel et de main-d'œuvre liés à la Société.

La Société a le droit d'inspecter tout produit renvoyé sous garantie pour confirmer que ledit produit contient un défaut de matériel ou de main-d'œuvre. La Société aura le droit exclusif de choisir de réparer ou de remplacer les équipements, pièces ou composants défectueux.

L'acheteur devra renvoyer le produit au point d'achat pour qu'il soit pris en compte par la garantie. Sous réserve des conditions et modalités énumérées ci-dessous, la Société réparera ou remplacera toute partie de ce produit qui s'avère défectueuse pour des raisons de matériel ou de main-d'œuvre liés à la Société.

La compagnie garantit ces produits pour une période de 12 mois (1 an) de la date d'installation ou 24 mois (2 ans) de la date de fabrication selon la première éventualité. Cette garantie s'applique uniquement aux produits qui sont achetés directement de Franklin Electric. Cette garantie est ni cessible, ni transférable.

ENAUCCUNCAS la Société ne sera responsable du coût de la main-d'œuvre extérieure ou d'autres dépenses encourues par tout client afin d'enlever et/ou d'installer tout produit, partie ou composant de ce dernier.

La Société se réserve le droit de modifier ou d'améliorer ses produits ou toute partie de ceux-ci sans que cela n'entraîne l'obligation d'apporter ces modifications ou améliorations à des produits préalablement vendus.

LA PRÉSENTE GARANTIE NE S'APPLIQUE PAS À des produits endommagés par des catastrophes naturelles, dont la foudre, l'usure normale, le service d'entretien normal et les pièces utilisées en relation avec ledit service, ou toute autre circonstance échappant au contrôle de la Société.

LA PRÉSENTE GARANTIE SERA ANNULÉE IMMÉDIATEMENT si l'une ou l'autre des conditions suivantes est présente :

1. Le produit est utilisé à des fins autres que celles pour lesquelles il a été conçu et fabriqué;
2. Le produit n'a pas été installé conformément aux codes et arrêtés applicables et aux bonnes pratiques commerciales;
3. Le produit n'a pas été installé par un Entrepreneur Certifié de Franklin ou Programme pour installateurs clés ; ou
4. Le produit a été endommagé pour cause de négligence, d'abus, d'accident, de mauvaise application, d'altération, de procédures d'installation, d'opération, d'entretien ou d'entreposage non conformes, ou pour cause d'utilisation excédant les maximums recommandés tel que stipulé dans les instructions concernant le produit.

NI LE VENDEUR NI LA SOCIÉTÉ N'ASSUMERONT DE RESPONSABILITÉ POUR TOUTE BLESSURE, TOUTE PERTE OU TOUT DOMMAGE, DIRECT, ACCESSOIRE OU CONSÉCUTIF (Y COMPRIS, MAIS SANS S'Y LIMITER, LES DOMMAGES ACCESSOIRES OU CONSÉCUTIFS POUR PERTE DE BÉNÉFICES, PERTE DE VENTES, BLESSURES À LA PERSONNE OU DÉGÂTS AUX BIENS, OU TOUTE AUTRE PERTE ACCESSOIRE OU CONSÉCUTIVE), DÉCOULANT DE L'UTILISATION OU DE L'INCAPACITÉ D'UTILISER LE PRODUIT, ET L'ACHÉTEUR ADMET QU'AUCUN AUTRE RECOURS NE SERA DISPONIBLE À CET EFFET.

LA GARANTIE ET LE RECOURS DÉCRITS DANS LA PRÉSENTE GARANTIE LIMITÉE SONT UNE GARANTIE ET UN RECOURS EXCLUSIFS, EN LIEU ET PLACE DE TOUT AUTRE GARANTIE OU RECOURS, EXPLICITE OU IMPLICITE, CELA EXCLUANT EXPRESSÉMENT PAR LES PRÉSENTES D'AUTRES GARANTIES ET RECOURS, Y COMPRIS, MAIS SANS S'Y LIMITER, TOUTE GARANTIE IMPLICITE DE MARCHANDISAGE OU D'ADÉQUATION À UNE FIN PARTICULIÈRE, DANS LA MESURE OÙ L'UNE OU L'AUTRE S'APPLIQUE À UN PRODUIT ET SA DURÉE SERA LIMITÉE AUX PÉRIODES DES GARANTIES EXPRESSES INDIQUÉES PLUS HAUT.

CLAUSE DE NON-GARANTIE : Toute déclaration orale au sujet du produit faite par le vendeur, la Société, les représentants ou toute autre partie, ne constitue pas une garantie, ne sera pas prise comme référence par l'acheteur et ne fait pas partie du contrat de vente. La seule obligation du vendeur et de la Société ainsi que le recours exclusif de l'acheteur porteront sur le remplacement et/ou la réparation par la Société du produit tel que décrit plus haut. Avant d'utiliser le produit, l'utilisateur devra déterminer l'adéquation dudit produit à l'usage prévu, et l'utilisateur assumera tous les risques et responsabilités afférents, quels qu'ils soient.

Certains États et pays n'autorisent pas l'exclusion ou la restriction de la durée d'une garantie implicite ou l'exclusion ou la restriction des dommages accessoires ou consécutifs. Par conséquent, les exclusions ou restrictions susmentionnées pourraient ne pas s'appliquer dans votre cas. La présente garantie vous accorde des droits légaux spécifiques et il se peut que vous puissiez bénéficier d'autres droits qui varient d'un État à l'autre et d'un pays à l'autre.

\*Communiquez avec le service de l'exportation de Franklin Electric Co., Inc. pour obtenir des informations concernant la garantie internationale.



**Franklin Electric**

400 East Spring Street, Bluffton, IN 46714  
Tél: 260.824.2900 Fax: 260.824.2909  
www.franklin-electric.com

