



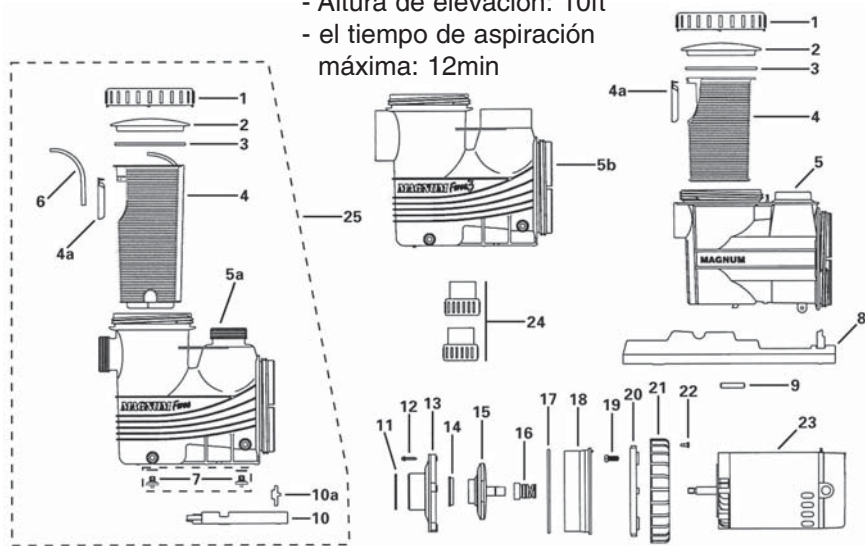
# MAGNUM, LR, RC & CYGNET PUMPS

Owner's Manual

## SAVE THESE INSTRUCTION

### Piezas para modelos Magnum, Magnum Plus, Magnum Force y Magnum Force 3

- Altura de elevación: 10ft
- el tiempo de aspiración máxima: 12min



Número	Peiza No.	DESCRIPCION
1	42-2828-06-R	Anillo de bloqueo Ring-Lok <sup>SM</sup>
2	39-2579-02-R	Tapa de filtro
3	47-0434-01-R	Junta tórica de 5 5/8 po x 6 1/8 po x 1/4 po (mod. anteriores 07/89)
4	47-0358-03-R	Junta tórica (mod. posteriores 07/89)
4a	16-1097-04-R	Filtro con clapet para mod. Magnum Plus
5a	16-1086-06-R	Filtro (9 po de alto) con clapet para mod. Magnum Force anterior 01/02/03
5b	16-1134-09-R	Filtro (12 po de alto) con clapet para mod. Magnum Force posterior 01/02/03
6	16-1135-10-R	Válvula
7	03-2009-04-R	Chasis Magnum Force anterior 01/02/03 (en desuso, ver n°25 aquí debajo)
8	03-0906-02-R	Chasis Magnum Force con tapas y filtro, posterior 01/02/03
9	03-2008-05-R	Chasis Magnum Force 3, anterior 01/02/03 (en desuso, ver n°25 aquí debajo)
10	03-0907-01-R	Chasis Magnum Force 3 con tapas y filtro, posterior 01/02/03
10a	31-1746-00-R	Tubo de cebado para filtro
11	31-1609-06-R2	Tapa de vaciado con junta tórica (2 por bolsa)
12	31-1609-06-R50	Tapa de vaciado con junta tórica (50 por bolsa)
13	12-1069-02-R	Base de motor para modelo Magnum Plus
14	14-4231-07-R	Pasador cilíndrico acero inox. de 1/4 po x 1 1/4 po para mod. Magnum Plus
15	12-1126-03-R	Base de bomba para modelo Magnum Force
16	12-1124-05-R	Base de motor para modelo Magnum Force
17	47-0232-54-R	Junta para buje cuadrado
18	14-4206-08-R3	Tornillo acero inox. hexagonal n°8 x 1 1/4 po (2 ó 3 requeridos) (3 por bolsa)
19	10-1462-07-R	Difusor— ver cuadro aquí debajo
20	10-1463-14-R	Junta, 1/2 -3 HP
21	10-1463-14-R	Junta, 4 y 5 HP
22	15	Turbinas — ver cuadro aquí debajo
23	10-1502-09-R	Juntas de eje
24	47-0364-47-R	Junta tórica de 6 3/4 po x 7 1/8 po
25	14-1293-24-R4	Cavidad de la junta— ver cuadro aquí debajo
	02-1368-02-R	Tornillo PL cabeza hexagonal de 3/8 po - 6 x 7/8 po (4 por bolsa)
	42-2886-05-R	Soporte caja de motor
	42-2867-08-R	Anillo de bloqueo Ring-LokMC de bomba, con cliquet
	31-1003-35-R2	Cliquet para anillo de bloqueo Ring-Lok <sup>SM</sup>
	31-1501-09-R2	Motor (contactar distribuidor local)
	42-2345-06-R	Medio estuche2UN (2 unidades de c/u) para mod. anteriores 09/99
		Medio estuche2UN (2 de c/u) para mod. fabricados después 10/99
		Conjunto chasis/zócalo/filtro para mod. Magnum Force: contiene n° 1, 2, 3, 4, 4a, 5, 6, 7, 8 y 8a

### CARVIN POOL EQUIPMENT INC. Garantía limitada

Los Accesorios de piscina Carvin inc. ("Carvin") garantiza que los productos para piscinas "Carvin" están exentos de todo defecto de fabricación y de mano de obra durante un período de 12 meses a partir de la fecha de compra. Las excepciones siguientes se aplican:

**Bombillas de luz:** las bombillas de luz FullMoon Watercolor LED tienen garantía por doce meses desde la fecha de compra; las bombillas de luz incandescentes están garantizadas por 90 días desde la fecha de compra.

**Varios:** Accesorios para el filtro, mallas DE, línea blanca, cestos para el filtro, solapas y tubos lisos para cestos del filtro, manómetros, anillos cuadrados, arandelas, juntas y todas las partes de repuesto están garantizados por doce meses desde la fecha de la compra.

### CONDICIONES PARA PODER EJECUTAR LA GARANTÍA:

Para poder activar esta garantía de 12 meses, los productos "Carvin" deben estar registrados con "Carvin" ya sea por cualquiera de los siguientes métodos:

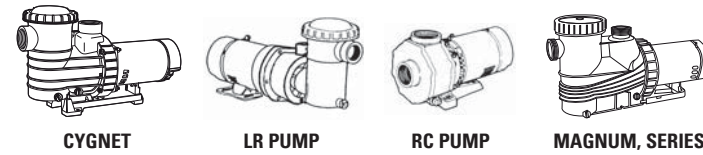
- Por correo: envíe por correo la Tarjeta de Registro de garantía
- En línea: en [www.carvinpool.com](http://www.carvinpool.com)

Todos los defectos deben ser reportados dentro de 72 horas para poder evitar la extensión del defecto a otros equipos, si no se cumple con esto la presente garantía no será aceptada. Esta garantía no es transferible y se extiende sólo al comprador minorista original y dura solamente el tiempo durante el cual el comprador minorista original ocupe el lugar donde se instaló en un primer momento el producto. La responsabilidad de garantía de "Carvin" respecto a equipos fabricados por terceros se limita a la garantía expedida a "Carvin" por parte de sus proveedores (por ejemplo: motores).

Esta garantía se aplica a productos utilizados en piscinas, spas y productos de acuicultura solamente y no se aplica a ningún producto que haya sufrido daños, cambios, accidentes, abusos, mal uso, instalación inadecuada, abrasivos, corrosión, voltaje inadecuado, vandalismo, alteraciones, casos de fuerza mayor (que incluyen daños causados por heladas, relámpagos y catástrofes). Las únicas garantías autorizadas por "Carvin" son las que se detallan en este documento. "Carvin" no autoriza a que otras personas - extendan la garantía de sus productos, ni tampoco asumirá ninguna responsabilidad por garantías no autorizadas, realizadas en relación con la venta de sus productos. "Carvin" no se hará responsable de ninguna declaración hecha o publicada, escrita o verbal, que sea errónea o inconsistente con los hechos publicados en los textos y especificaciones de "Carvin".

### PROCEDIMIENTO DE RECLAMO DE GARANTÍA

Los reclamos de garantía deben realizarse contactando al instalador/vendedor, constructor, distribuidor, representante (punto de venta), o bien al distribuidor de productos para piscinas "Carvin" que corresponda a su zona de residencia. Antes de que se autorice la garantía, todos los equipos deben ser revisados o bien en fábrica, o bien por un representante local de "Carvin". Todos los gastos de flete hacia y desde la fábrica, el retiro y la reinstalación de los productos o la instalación del repuesto son responsabilidad del comprador salvo que "Carvin" autorice expresamente lo contrario. "Carvin", sin dejarlo expreso, puede reparar o reemplazar sin cargo (precio de fábrica F.O.B. en Saint-Hyacinthe, Québec, Canada) cualquier producto que tenga fallas dentro del período de garantía o puede emitir un crédito por la cantidad facturada por el equipo con fallas en lugar de su reparación o reemplazo. "Carvin" se reserva el derecho de sustituir equipo nuevo o mejorado en cualquier reemplazo.



Before installation, be sure to read all instructions and warnings carefully. Refer to product dataplate(s) for additional operation instruction and specifications.

### INSPECTION

Examine the equipment when received. Notify your dealer or carrier of any damage or missing parts. Verify that equipment is of size and model specified.

### IMPORTANT SAFETY INSTRUCTIONS

When installing and using this electrical equipment, basic safety precautions should always be followed, including the following:

**WARNING!** RISK OF SUCTION ENTRAPMENT HAZARD WHICH, IF NOT AVOIDED, MAY RESULT IN SERIOUS INJURY OR DEATH.

Pumps can quickly generate high suction, which poses the risk of entrapment if improperly connected to suction outlets. Disembowelment, entrapment, or drowning is possible when body parts or hair contact damaged, cracked, missing, or unsecured drain covers and suction outlets. Pumps and fittings shall be installed in accordance with the latest NSPI or IAF standards, CPSC guidelines, and national, state and local codes, to minimize this risk. Some of those requirements are as follows. Always consult the latest regulations to ensure that your installation meets the necessary requirements to minimize suction entrapment.

1. All fully submerged Suction Outlet Covers shall be listed to ANSI/ASME A112.19.8 standard.

2. Do not use a pump in an installation where there is only one fully submerged single suction outlet.

3. If main drains are installed in your pool, there must be a minimum of two for each pumping system, and each drain must include a Listed Suction Outlet Cover. Wading pools may have additional requirements to minimize entrapment hazards.

4. Skimmers may supply 100% of the required flow to the pump, and must be vented to atmosphere. A skimmer is not considered a second main drain.

5. When two suction outlets are used, the maximum system flow rate shall not exceed the rating of any one of the listed suction outlet covers installed. When more than two are used, the sum of the ratings shall be at least twice the maximum system flow rate.

6. Each Suction Outlet Cover shall be separated by a minimum of three feet (3'), measured from center of suction pipes.

7. Avoid installing check valves. If check valves must be used, ensure that the installation conforms to applicable standards.

8. Never use the pool or spa if a Suction Outlet Cover is damaged, cracked, missing, or not securely attached. Suction outlet cover must be attached with stainless steel screws supplied with the cover. If screws are lost, order replacement parts from your supplier.

**NOTE:** For the latest NSPI or IAF Standards, contact the Association of Pool and Spa Professionals (APSP) at [www.theapsp.org](http://www.theapsp.org) or (703) 838-0083, ext. 301. For the latest Consumer Product Safety Commission (CPSC) Guidelines, contact the CPSC at [www.cpsc.gov](http://www.cpsc.gov) or (301) 504-7923. "Guidelines for Entrapment Hazards: Making Pools and Spas Safer" can be viewed at [www.cpsc.gov/cpsc/pub/pubs/363.pdf](http://www.cpsc.gov/cpsc/pub/pubs/363.pdf)

**WARNING!** To reduce risk of injury, do not permit children to use this product unless they are closely supervised at all times.

**WARNING!** (For cord & plug connected units) Risk of Electric Shock. Connect only to a grounding type receptacle protected by a ground-fault circuit-interrupter (GFCI). Contact a qualified electrician if you cannot verify that the receptacle is protected by a GFCI.

**WARNING!** (For cord & plug connected units) Do not bury cord. Locate cord to minimize abuse from lawn mowers, hedge trimmers and other equipment.

**WARNING!** (For cord & plug connected units) To reduce the risk of electric shock, replace damaged cord immediately.

**WARNING!** (For hot tub and spa pumps) Do not install within an outer enclosure or beneath the skirt of the hot tub or spa, unless so marked.

**WARNING!** (For cord & plug connected units) To reduce the risk of electric shock, do not use an extension cord to connect unit to electric supply; provide a properly located outlet.

**WARNING!** Locate the pump at least five feet (1.5M) from the pool to prevent it being used as a means of access to the pool by young children. (See ANSI/NSPI-8 1996 "Model Barrier Code For Residential Swimming Pools, Spas and Hot Tubs".)

**CAUTION!** (For Swimming pool pumps intended for use with permanent swimming pools or spas) This pump is for use with permanently-installed pools and may also be used with hot tubs and spas if so marked. do not use with storable pools. A permanently-installed pool is constructed in or on the ground or in a building such that it cannot be readily disassembled for storage. A storable pool is constructed so that it is capable of being readily disassembled for storage and reassembled to its original integrity

**WARNING!** (For all permanently-installed units intended for use on 15 or 20 ampere, 125 through 240 volts, single phase branch circuits) The unit must be connected only to a supply circuit that is protected by a ground-fault circuit-interrupter (GFCI). Such GFCI should be provided by the installer and should be tested on a routine basis. To test the GFCI, push the test button. The GFCI should interrupt power. Push the reset button. Power should be restored. If the GFCI fails to operate in this manner, the GFCI is defective. If the GFCI interrupts power to the pump without the test button being pushed, a ground current is flowing, indicating the possibility of an electric shock. Do not use this pump. Disconnect the pump and have the problem corrected by a qualified service representative before using.

### INSTALLATION LOCATION

Locate the pump as close to pool/spa as possible, but keep at a minimum distance of five feet (1.5M). (See previous Warning.) Locate the pump preferably in a dry, well ventilated area away from direct sunlight. It should be on a hard, level surface. Give consideration to: drainage-away from pump, ventilation of pump motor, access for future servicing and winterizing, and protection from the elements. Pumps without strainer bodies are designed for flooded suction (all suction fittings and suction piping below water level) and will not self-prime. Consequently, the pump must be installed at an elevation that is below water level when pool or spa is filled; however, if suction line valves are installed, the pump may be located above the water level since the valve can be closed for priming. Keep vertical distance to a minimum if you choose to mount pump above water level. Pumps with strainer bodies are self-priming but should be mounted as close to the water level as possible or below for ease in priming.

### CARVIN POOL EQUIPMENT INC.

4000 Casavant O.Saint-Hyacinthe, Québec, Canada J2S 9E3  
Tél.: (450) 250-4500 Fax: (450) 250-4501 [www.carvinpool.com](http://www.carvinpool.com)

REV-2







# BOMBAS MAGNUM, LR, RC y CYGNET

Manual del usuario

## GUARDE ESTAS INSTRUCCIONES

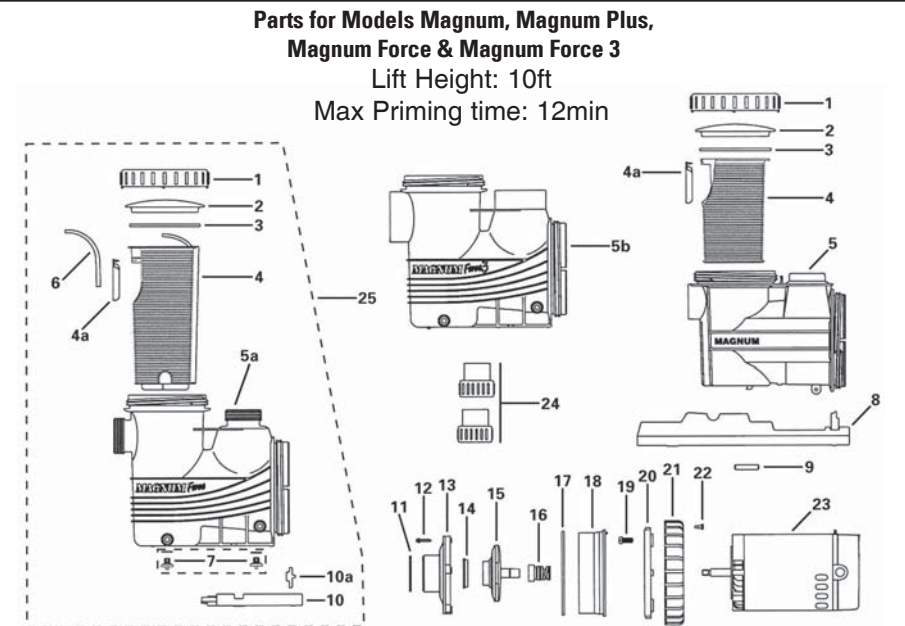


FIG. No	PART No	DESCRIPTION
1	42-2828-06-R	Strainer Ring-Lok™
2	39-2579-02-R	Strainer Cover
3	47-0434-01-R	Strainer O-Ring 5-5/8" x 6-1/8" x 1/4" - Units prior to 7/89
	47-0358-03-R	Strainer O-Ring - Units after 7/89
4	16-1097-04-R	Strainer Basket w/Flapper for Magnum Plus
	16-1086-06-R	Strainer Basket (9" tall) w/Flapper for Magnum Force prior to 02/01/03
	16-1134-09-R	Strainer Basket (12" tall) w/Flapper for Magnum Force after 02/01/03
4a	16-1135-10-R	Flapper
5a	03-2009-04-R	Magnum Force Body prior to 02/01/03 - obsolete refer to #25 below
	03-0906-02-R	Magnum Force Body with Plugs and Basket after 02/01/03
5b	03-2008-05-R	Magnum Force 3 Body prior to 02/01/03 - obsolete refer to #25 below
	03-0907-01-R	Magnum Force 3 Body with Plugs and Basket after 02/01/03
6	31-1746-00-R	Strainer Basket Air Bleed Tube
7	31-1609-06-R2	Drain Plug w/O-Ring (2 per bag)
	31-1609-06-R50	Drain Plug w/O-Ring (50 per bag)
8	12-1069-02-R	Base Motor Support Assembly for Magnum Plus
9	14-4231-07-R	Dowel Pin 1/4" x 1-1/4" SS for Magnum Plus
10	12-1126-03-R	Pump Base for Magnum Force
10a	12-1124-05-R	Motor Support for Magnum Force
11	47-0232-54-R	Square Ring Gasket
12	14-4206-08-R3	Hex Washer Head Screw #8 x 1-1/4" SS (2 or 3 req'd) (3 per bag)
13		Diffuser - See Chart Below
14	10-1462-07-R	Eye Seal, 1/2 - 3 HP
	10-1463-14-R	Eye Seal, 4 & 5 HP
15		Impellers - See Chart Below
16	10-1502-09-R	Shaft Seal
17	47-0364-47-R	O-Ring 6-3/4" x 7-1/8"
18		Seal Housing - See Chart Below
19	14-1293-24-R4	PL Hex Capscrew 3/8" - 16 x 7/8" (4 per bag)
20	02-1368-02-R	Motor Housing Bracket
21	42-2886-05-R	Pump Ring-Lok™ w/Ratchet
22	42-2867-08-R	Mounting Ring-Lok™ Ratchet
23		Motor (Contact your local dealer)
24		2UN Half Kit (incl. 2 each) Effective on units prior to 9/99
		2UN Half Kit (incl. 2 each) Effective on units built after 10/99
25	42-2345-06-R	Case/Base/Basket Assy. for Magnum Force: # 1, 2, 3, 4, 4a, 5, 6, 7, 8, 8a

### Les Équipements de piscine Carvin inc.

Carvin Pool Equipment inc.  
4000 boul. Casavant O. Saint-Hyacinthe,  
(Québec) Canada J2S 9E3  
Tel: 450-250-4500 : Fax: 450-250-4501  
Sans Frais\_Toll free: 1-866-979-4501  
http://www.carvinpool.com

### CARVIN POOL EQUIPMENT INC Limited Warranty

Carvin Pool Equipment Inc. ("Carvin") warrants "Carvin" pool products to be free of defects in material and workmanship for a period of 12 months from the date of purchase with the following exceptions:

**Light Bulbs** - Full Moon Watercolor LED light bulbs are warranted for 12 months from the date of purchase; incandescent bulbs are warranted for 90 days from the date of purchase.

**Misc.** - Filter elements, DE grids, white-goods, strainer baskets, strainer basket "flap" and "priming tube", pressure gauges, square rings, o-rings, gaskets, and all replacement parts are warranted for 12 months from the date of purchase.

### CONDITIONS IN ORDER TO EXERCISE THE WARRANTY:

In order to activate this 12 month warranty, "Carvin" products must be registered with "Carvin" by either of the following methods:

- Mail-in the Warranty Registration Card
- Online at [www.carvinpool.com](http://www.carvinpool.com)

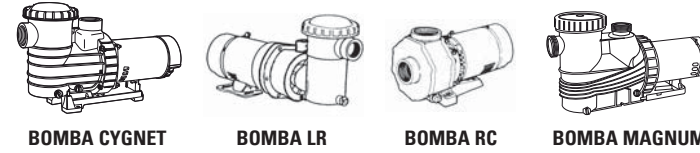
All defects must be denounced within 72 hours in order to avoid the spreading to other equipment, failing which, the present warranty will not be honoured. This warranty is non transferable and extends only to the original retail buyer and only during the time in which the original retail buyer occupies the site where the product was originally installed. "Carvin" warranty obligation with regard to equipment which it does not itself manufacture is limited to the warranty actually extended to "Carvin" by its suppliers (i.e. motors).

This warranty applies to products used in swimming pools, spas, & aquaculture applications only and does not apply to any product which has been subjected to negligence, alteration, accident, abuse, misuse, improper installation, abrasives, corrosion, improper voltage supply, vandalism, civil disturbances, or acts of God (including but not limited to damage caused by freezing, lightning strikes, and other damage caused by catastrophic events). The only warranties authorized by "Carvin" are those set forth herein. "Carvin" does not authorize other persons to extend any warranties with respect to its products, nor will "Carvin" assume liability for any unauthorized warranties made in connection with the sale of its products. "Carvin" will not be responsible for any statements that are made or published, written or oral, which are misleading or inconsistent with the facts as published in the literature or specifications furnished by "Carvin".

### WARRANTY CLAIM PROCEDURE

Warranty claims shall be made by contacting the installer/seller, builder, dealer, or retailer (point of purchase) or the "Carvin" pool products distributor in your area. All equipment must be inspected by a local "Carvin" authorized representative or at the factory before warranty is authorized. All charges or expenses for freight to and from the factory, removal and reinstallation of the products, or installation of a replacement product are the responsibility of the purchaser unless otherwise expressly authorized in writing by "Carvin". "Carvin", at its discretion, may repair or replace free of charge (F.O.B. factory in Saint-Hyacinthe, Québec, Canada) any product that proves defective within the warranty period, or it may issue credit in the amount of the invoice of the defective equipment in lieu of its repair or replacement. "Carvin" reserves its right to substitute new or improved equipment on any replacements.

REV-2



Antes de comenzar la instalación, lea atentamente todas las instrucciones y advertencias. Para las instrucciones de funcionamiento y especificaciones adicionales, vea la placa de identificación del producto.

### VERIFICACIÓN

Verifique el material a su recepción. Contacte el distribuidor o el transportista en caso de falta o rotura de alguna pieza. Verifique si el formato y el modelo corresponden a los especificados.

### CONSIGNAS DE SEGURIDAD IMPORTANTES

Durante la instalación y utilización de este artefacto eléctrico, se deberán observar las medidas de seguridad de base, especialmente las siguientes:

**¡ATENCIÓN!** RIESGO DE APRISIONAMIENTO POR SUCCIÓN QUE PUEDE CAUSAR HERIDAS GRAVES O MORTALES.

La bomba puede crear una fuerte succión rápidamente y generar un riesgo de aprisionamiento si se encuentra mal conectada a los orificios de succión. Una persona puede sufrir desmembramiento, atascamiento o puede ahogarse si una parte de su cuerpo o sus cabellos toman contacto con los orificios de succión o con tapas de toma de fondo mal colocadas, faltantes, fisuradas o dañadas. **Para reducir el riesgo al máximo, las bombas y las conexiones deben instalarse según a la versión más reciente de las normas NSPI o IAF, así como también a las directivas de la CPSC y a los códigos nacionales, provinciales y locales vigentes.** A continuación, algunas de dichas exigencias. Siempre consulte el último reglamento para asegurarse de que su instalación siga los requerimientos exigidos para reducir al máximo los riesgos de aprisionamiento por succión.

1. Todas las tapas de orificio de succión sumergidas en su totalidad deben estar homologadas por la norma A112.19.8 del ANSI/ASME.
2. No utilice una bomba en una instalación donde haya sólo un orificio de succión sumergido por completo.
3. Si la piscina posee toma de fondo, habrá que prever dos como mínimo para cada sistema de bombeo, y cada toma deberá contar con una tapa de orificio de succión homologada. Exigencias adicionales pueden aplicarse a chapoteadores a fin de reducir al máximo los riesgos de aprisionamiento.
4. Las espumaderas o skimmers deben proveer el 100% del régimen del flujo necesario para la bomba y deberán instalarse al aire libre. La espumadera o skimmers no se considera una segunda toma de fondo.
5. Si la piscina se encuentra equipada con dos orificios de succión, el flujo máximo del sistema nunca deberá ser superior a la capacidad nominal de una de las tapas homologadas instaladas sobre los orificios de succión. De haber más de dos orificios de succión, la suma de las capacidades nominales deberá ser por lo menos igual al doble del flujo máximo del sistema.
6. Deberá preverse una separación de por lo menos 0,9m (3 pi) entre cada tapa de orificio de succión, medida que se tomará a partir del centro de las tuberías de succión.
7. No instale clapets de retención. Si fuesen necesarios, asegurarse de que su instalación respete las normas exigidas.
8. Nunca utilice un spa o piscina cuya tapa de orificio de succión se encuentra dañada, fisurada, faltante o mal instalada. La tapa de orificio de succión deberá atornillarse con tornillos de acero inoxidable, provistos con la tapa. Si ésta no presentase tornillos, solicite piezas de recambio a su proveedor.

**OBSERVACIÓN:** Para obtener la versión más reciente de las normas NSPI o IAF, comuníquese con la Association of Pool and Spa Professionals (APSP) a través del sitio [www.theapsp.org](http://www.theapsp.org) o al número 703-838-0083, interno 301. Para obtener la versión más reciente de las directivas de la Consumer Product Safety Comisión (CPSC), comuníquese con dicha comisión a través del sitio [www.cpsc.gov](http://www.cpsc.gov) o al número 301-504-7923. Consulta libre del documento "Guidelines for Entrapment Hazards: Making Pools and Spas Safer" en la dirección [www.cpsc.gov/cpscpub/pubs/363.pdf](http://www.cpsc.gov/cpscpub/pubs/363.pdf).

**¡ATENCIÓN!** Para reducir los riesgos de heridas, no permita que los niños utilicen este producto, a excepción de mantenerlos bajo una estricta y constante vigilancia.

**¡ATENCIÓN!** (Para artefactos con ficha y cable eléctrico). Riesgo de descarga eléctrica. Únicamente conecte la ficha a un toma corriente tripolar y protegido por un disyuntor tripolar. De no estar seguro de que el toma corriente esté protegido por este tipo de disyuntor, haga llamado a un electricista calificado.

**¡ATENCIÓN!** (Para artefactos con ficha y cable eléctrico). No enterrar el cable bajo tierra. Instale el cable eléctrico de manera tal que los daños que puedan causarles las cortadoras de césped, podadoras y otros equipos sean mínimos.

**¡ATENCIÓN!** (Para artefactos con ficha y cable eléctrico). Para reducir los riesgos de descarga eléctrica, remplace inmediatamente el cable en caso de encontrarse dañado.

**¡ATENCIÓN!** (Para bombas de spa y piscina termal). No instale el artefacto dentro de un recinto externo ni debajo del spa o piscina termal, salvo indicación contraria al respecto.

**¡ATENCIÓN!** (Para artefactos con ficha y cable eléctrico). Para reducir los riesgos de descarga eléctrica, no utilice una extensión eléctrica para conectar el artefacto al toma corriente; preferentemente instale un toma corriente en un sitio apropiado.

**¡ATENCIÓN!** Instale la bomba por lo menos a 1,50mts. (5 pi) de la piscina para evitar que los niños la utilicen como acceso a la piscina (consultar la norma ANSI/NSPI-8 1996 entitulada "Model Barrier Code for Residential Swimming Pools, Spas and Hot Tubs").

**¡ATENCIÓN!** (Para bombas de piscina para uso con piscinas permanentes o spas), esta bomba es para el uso con piscinas permanentemente instalados y también puede ser usado con bañeras de hidromasaje y spas, si tan marcada. No utilizar con piscinas desmontables. Una piscina instalada permanentemente está construida en o sobre el suelo o en un edificio de tal manera que no puede ser fácilmente disassembled para el almacenamiento. Una piscina almacenable está construida de modo que es capaz de ser fácilmente disassembled para el almacenamiento y vuelto a montar a su integridad original.

**¡ATENCIÓN!** (Para todas las unidades instaladas de forma permanente, destinados para su uso en 15 ó 20 amperios, 125 voltios, a través de 240 circuitos derivados individuales de fase) La unidad debe estar conectada únicamente a un circuito de alimentación que está protegida por un campo de circuito por falla a tierra (GFCI). GFCI que deberá ser proporcionada por el instalador y deben ser probados de manera rutinaria. Para probar el GFCI, presione el botón de prueba. El GFCI debe interrumpir el suministro eléctrico. Presione el botón de reinicio. Poder debe ser restaurado. Si la IMC deja de funcionar de esta manera, el GFCI está defectuoso. Si el poder GFCI interrumpe a la bomba sin el botón de prueba siendo empujado, una corriente a tierra, lo que indica la posibilidad de una descarga eléctrica. No use esta bomba. Desconecte la bomba y corrija el problema por un representante de servicio calificado antes de usar.

### UBICACIÓN DE LA INSTALACIÓN

Instale la bomba lo más cerca posible del spa o piscina, pero conservando un mínimo de 1,50mts. (ver advertencia dada más arriba). Preferir instalarla en un lugar seco y bien aireado, protegiéndola de los rayos del sol y en una superficie dura y de nivel. Tener en cuenta los siguientes aspectos: drenaje del agua lejos de la bomba, ventilación del motor de la bomba, fácil acceso a mantenimiento e hibernación, y protección contra intemperies. Las bombas sin filtro no poseen cebado automático y están concebidas para una succión sumergida (todos los espalmes y tuberías de succión se encuentran instalados por debajo del nivel del agua). Por tanto, este tipo de bomba se debe instalar a una altura por debajo del nivel del agua cuando el spa o la piscina estén llenos; sin embargo, si el tubo de succión presenta válvulas, la bomba puede instalarse por sobre el nivel del agua ya que es posible cerrar las válvulas para el cebado. Reducir al mínimo la distancia vertical en caso de decidir instalar la bomba por sobre el nivel del agua. Los artefactos con filtro son de autocebado, pero deben estar lo más cerca posible del nivel del agua, o por debajo del nivel del agua, para facilitar el cebado.



# POMPES MAGNUM, LR, RC et CYGNET

Manuel du propriétaire  
GARDER CES INSTRUCTIONS

Pièces pour modèles **Magnum, Magnum Plus, Magnum Force et Magnum Force 3**  
Hauteur de levage: 10 pieds  
Temps d'amorçage: 12min

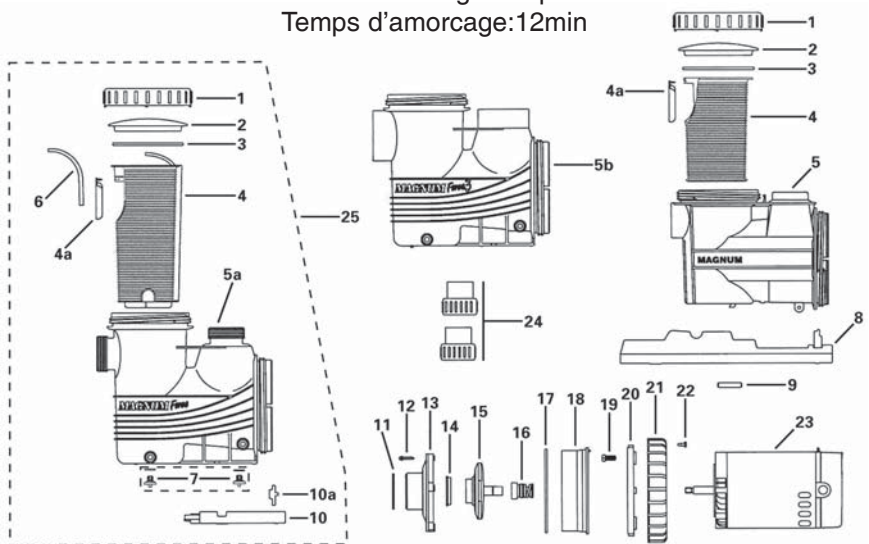


FIG. No	PIÈCES No	DESCRIPTION
1	42-2828-06-R	Anneau de blocage Ring-Lok™
2	39-2579-02-R	Couvercle de crépine
3	47-0434-01-R	Joint torique de 5 5/8 po x 6 1/8 po x 1/4 po (modèles avant 07/89)
	47-0358-03-R	Joint torique – modèles après 07/89
4	16-1097-04-R	Crépine avec clapet pour modèle Magnum Plus
	16-1086-06-R	Crépine (9 po de haut) avec clapet pour modèle Magnum Force avant 01/02/03
	16-1134-09-R	Crépine (12 po de haut) avec clapet pour modèle Magnum Force après 01/02/03
4a	16-1135-10-R	Clapet
5a	03-2009-04-R	Bâti Magnum Force avant 01/02/03 – désuet – voir le n° 25 ci-dessous
	03-0906-02-R	Bâti Magnum Force avec bouchons et crépine, après 01/02/03
5b	03-2008-05-R	Bâti Magnum Force 3, avant 01/02/03 – désuet – voir le n° 25 ci-dessous
	03-0907-01-R	Bâti Magnum Force 3 avec bouchons et crépine, après 01/02/03
6	31-1746-00-R	Tube d'amorçage pour crépine
7	31-1609-06-R2	Bouchon de vidange avec joint torique (2 par sac)
	31-1609-06-R50	Bouchon de vidange avec joint torique (50 par sac)
8	12-1069-02-R	Socle de moteur pour modèle Magnum Plus
9	14-4231-07-R	Goupille cylindrique en acier inox. de 1/4 po x 1 1/4 po pour modèle Magnum Plus
10	12-1126-03-R	Socle de pompe pour modèle Magnum Force
10a	12-1124-05-R	Socle de moteur pour modèle Magnum Force
11	47-0232-54-R	Joint pour bague carrée
12	14-4206-08-R3	Vis en acier inox. à tête hex. n° 8 x 1 1/4 po (2 ou 3 requises) (3 par sac)
13		Diffuseur – voir le tableau ci-dessous
14	10-1462-07-R	Joint d'étanchéité, 1/2 – 3 HP
	10-1463-14-R	Joint d'étanchéité, 4 et 5 HP
15		Turbines – voir le tableau ci-dessous
16	10-1502-09-R	Garniture d'étanchéité de l'arbre
17	47-0364-47-R	Joint torique de 6 3/4 po x 7 1/8 po
18		Logement de joint d'étanchéité – voir le tableau ci-dessous
19	14-1293-24-R4	Vis PL à tête hex. de 3/8 po – 6 x 7/8 po (4 par sac)
20	02-1368-02-R	Support du boîtier du moteur
21	42-2886-05-R	Anneau de blocage Ring-Lok™ de la pompe, avec cliquet
22	42-2867-08-R	Cliquet pour anneau de blocage Ring-Lok™
23		Moteur (communiquiez avec votre détaillant local)
24	31-1003-35-R2	Demi-trousse 2UN (comprend 2 de chaque) pour modèles avant 09/99
	31-1501-09-R2	Demi-trousse 2UN (comprend 2 de chaque) pour modèles fabriqués après 10/99
25	42-2345-06-R	Assemblage bâti/socle/crépine pour modèle Magnum Force : comprend les numéros 1, 2, 3, 4, 4a, 5, 6, 7, 8 et 8a

**LES ÉQUIPEMENTS DE PISCINE CARVIN INC.**  
4000 Casavant O. Saint-Hyacinthe, Québec, Canada J2S 9E3  
Tél.: (450) 250-4500 Fax: (450) 250-4501 www.carvinpool.com

## LES ÉQUIPEMENTS DE PISCINES CARVIN INC. Garantie limitée

Les Équipements de piscines Carvin Inc. («Carvin») garantit que les produits de piscine «Carvin» sont exempts de tout défaut de fabrication et de main-d'œuvre pendant une période de 12 mois à compter de la date de l'achat.  
Les exceptions suivantes s'appliquent:

**Ampoules:** Les ampoules Aquarelle à DEL Full Moon sont garanties pendant 12 mois à compter de la date de l'achat; les ampoules halogènes sont garanties pendant 90 jours à compter de la date de l'achat.

**Divers:** Les cartouches filtrantes, les grilles pour terre diatomée, les produits de recirculation (white goods), les paniers protège-crépine, le clapet et le tube d'amorçage du panier protège-crépine, les manomètres, les joints d'étanchéité carrés, les joints toriques, les joints d'étanchéité et toutes les pièces de rechange sont garanties pendant 12 mois à compter de la date de l'achat.

### CONDITIONS D'EXERCICE DE LA GARANTIE:

Afin que cette garantie de 12 mois entre en vigueur, les produits «Carvin» doivent être enregistrés auprès de «Carvin» par le biais de l'une des méthodes suivantes:

- en retournant par la poste la fiche de garantie;
- en ligne, au [www.carvin-pool.com](http://www.carvin-pool.com).

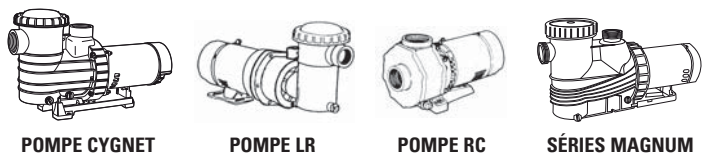
Toute défectuosité doit être dénoncée à Carvin, ou à son représentant local dans les 72 heures pour éviter le bris d'autres équipements, faute de quoi, la garantie ne sera pas honorée. Cette garantie est non transférable et ne s'applique qu'au premier acheteur au détail, et seulement pendant la période où le premier acheteur au détail occupe l'endroit où le produit a été installé initialement. L'obligation de garantie de «Carvin» concernant l'équipement que l'entreprise ne fabrique pas elle-même est limitée à la garantie offerte à «Carvin» par ses fournisseurs (i.e. moteurs).

Cette garantie ne s'applique qu'aux produits utilisés pour les piscines, les spas et l'aquaculture, et ne s'applique pas aux produits qui ont subi des modifications, un accident, une mauvaise utilisation, une utilisation négligente, une utilisation abusive, une installation incorrecte, des applications d'abrasifs, de la corrosion, une tension incorrecte, du vandalisme, des troubles publics ou une catastrophe naturelle (y compris, notamment, les dommages causés par le gel, la foudre, et tout autre dommage causé par des catastrophes naturelles). Les seules garanties autorisées par «Carvin» sont énoncées dans la présente section. «Carvin» n'autorise aucune autre personne à garantir ses produits, et l'entreprise n'assumera aucune responsabilité face à toute garantie non autorisée faite relativement à la vente de ses produits. «Carvin» ne sera pas tenue responsable de toute déclaration faite ou publiée, écrite ou verbale, qui serait trompeuse ou incompatible avec les faits publiés dans la documentation ou les spécifications fournies par «Carvin».

### PROCÉDURE DE RÉCLAMATION EN VERTU DE LA GARANTIE

Les réclamations en vertu de la garantie seront faites en communiquant avec l'installateur/le vendeur, le constructeur, le revendeur ou le détaillant (point de vente) ou avec le distributeur «Carvin» de votre région. Tout équipement doit être inspecté par un représentant autorisé local de «Carvin» ou à l'usine avant l'autorisation de la garantie. Tous les frais ou toutes les dépenses d'expédition en partance de l'usine ou en direction de celle-ci, pour la désinstallation et la réinstallation des produits, ou pour l'installation d'un produit de remplacement, seront de la responsabilité de l'acheteur, sauf sur autorisation écrite de «Carvin». À sa discrétion, «Carvin» peut réparer ou remplacer sans frais (F.O.B. usine à Saint-Hyacinthe, Québec, Canada) tout produit qui s'avère défectueux pendant la période de la garantie, ou elle peut émettre un crédit au montant de la facture de l'équipement défectueux au lieu de réparer ou de remplacer le produit. La société se réserve le droit de substituer de l'équipement nouveau ou amélioré lors de tout remplacement.

REV-2



Avant d'entreprendre l'installation, veuillez lire attentivement toutes les directives et mises en garde. Pour des directives de fonctionnement et des spécifications supplémentaires, reportez-vous à la plaque signalétique du produit

**INSPECTION**  
Examinez l'équipement dès la réception. Avisez votre détaillant ou le transporteur si des pièces sont manquantes ou endommagées. Vérifiez si le format et le modèle sont ceux spécifiés.

### CONSIGNES DE SÉCURITÉ IMPORTANTES

Lors de l'installation et de l'utilisation de cet appareil électrique, il faut toujours observer les mesures de sécurité de base, notamment les suivantes :

**ATTENTION!** RISQUE DE COINCEMENT PAR ASPIRATION QUI PEUT CAUSER DES BLESSURES GRAVES OU MORTELLES.

Les pompes peuvent créer rapidement une aspiration forte, ce qui entraîne un risque de piégeage si elles sont mal raccordées aux sorties de vidange à aspiration. Il est possible d'être éventré, d'être piégé ou de se noyer lorsque des parties du corps ou les cheveux entrent en contact avec des couvertures de conduite de drainage ou des sorties de vidange à aspiration endommagées, fendues, manquantes ou mal fixées. Afin de minimiser ce risque, les pompes et les raccords seront installés conformément aux normes NSPI ou IAF, aux directives de la CPSC ainsi qu'aux codes nationaux, étatiques, provinciaux et locaux les plus récents. Voici quelques-unes de ces exigences. Consultez toujours les règlements les plus récents afin de vous assurer que votre installation respecte les exigences nécessaires pour minimiser le risque de piégeage causé par l'aspiration.

1. Tous les couvercles d'orifice d'aspiration entièrement immergés doivent être homologués par la norme A112.19.8 de l'ANSI/ASME.
2. N'utilisez pas une pompe dans une installation où il n'y a qu'un seul orifice d'aspiration entièrement immergé.
3. Si votre piscine est dotée de drains de fond, il faut en prévoir au moins deux pour chaque système de pompage, et chaque drain doit être doté d'un couvercle d'orifice d'aspiration homologué. Des exigences supplémentaires peuvent s'appliquer aux pataugeoires afin de réduire au minimum les risques de coincement.
4. Les écumoires doivent fournir 100 % du débit requis à la pompe et doivent être mises à l'air libre. L'écumoire n'est pas considérée comme un deuxième drain de fond.
5. Lorsque la piscine est munie de deux orifices d'aspiration, le débit maximum du système ne doit pas être supérieur à la capacité nominale de l'un des couvercles homologués installés sur les orifices d'aspiration. Lorsqu'il y a plus de deux orifices d'aspiration, la somme des capacités nominales doit être au moins égale au double du débit maximum du système.
6. Il faut prévoir un écart d'au moins 0,9 m (3 pi) entre chaque couvercle d'orifice d'aspiration, mesuré à partir du centre des tuyaux d'aspiration.
7. N'installez pas de clapet de non-retour. Si de tels clapets sont nécessaires, assurez-vous que leur installation est conforme aux normes applicables.
8. N'utilisez jamais une piscine ou un spa possédant un couvercle d'orifice d'aspiration endommagé, fissuré, manquant ou mal fixé. Le couvercle d'orifice d'aspiration doit être fixé à l'aide des vis en acier inoxydable fournies avec le couvercle. S'il manque des vis, commandez des pièces de rechange auprès de votre fournisseur.

**REMARQUE:** Pour obtenir la version la plus récente des normes NSPI ou IAF, communiquez avec l'Association of Pool and Spa Professionals (APSP) à l'adresse [www.theapsp.org](http://www.theapsp.org) ou au numéro 703-838-0083, poste 301. Pour obtenir la version la plus récente des lignes directrices de la Consumer Product Safety Commission (CPSC), communiquez avec la CPSC à l'adresse [www.cpsc.gov](http://www.cpsc.gov) ou au numéro 301-504-7923. Vous pouvez consulter le document «Guidelines for Entrapment Hazards: Making Pools and Spas Safer» à l'adresse [www.cpsc.gov/cpscpub/pubs/363.pdf](http://www.cpsc.gov/cpscpub/pubs/363.pdf).

**ATTENTION!** Pour réduire les risques de blessures, empêchez les enfants d'utiliser ce produit, sauf s'ils font l'objet d'une étroite surveillance en tout-temps.

**ATTENTION!** (Pour les appareils dotés d'une fiche et d'un cordon d'alimentation électrique). **Risque de choc électrique.** Branchez la fiche uniquement dans une prise de courant mise à la terre et protégée par un disjoncteur de fuite de terre. Si vous n'êtes pas certain que la prise de courant est protégée par un tel disjoncteur, communiquez avec un électricien qualifié.

**ATTENTION!** (Pour les appareils dotés d'une fiche et d'un cordon d'alimentation électrique). **N'enfoncez pas le cordon dans la terre.** Installez le cordon d'alimentation de manière à réduire au minimum les dommages causés par les tondeuses, les taille-haies et autres pièces d'équipement.

**ATTENTION!** (Pour les appareils dotés d'une fiche et d'un cordon d'alimentation électrique). Pour réduire les risques de choc électrique, remplacez immédiatement le cordon s'il est endommagé.

**ATTENTION!** (Pour les pompes de cuves thermales et de spas). N'installez pas l'appareil à l'intérieur d'une enceinte externe ou sous la cuve thermal ou le spa, à moins d'indication contraire à cet effet.

**ATTENTION!** (Pour les appareils dotés d'une fiche et d'un cordon d'alimentation électrique). Pour réduire les risques de choc électrique, n'utilisez pas de rallonge électrique pour raccorder l'appareil à l'alimentation électrique; installez plutôt une prise de courant à un endroit approprié.

**ATTENTION!** Installez la pompe à au moins 1,5 m (5 pi) de la piscine afin d'éviter que de jeunes enfants y montent pour accéder à la piscine. (Reportez-vous à la norme ANSI/NSPI-8 1996 intitulée «Model Barrier Code for Residential Swimming Pools, Spas and Hot Tubs».)

**ATTENTION!** Pour Pompes pour piscines destinées à être utilisées avec des piscines ou de spas permanents) cette pompe est pour une utilisation avec des piscines permanente et peut également être utilisé avec des cuves thermales et de spas si marquée. ne pas utiliser avec des piscines démontables. Une piscine permanente est une piscine installé dans ou sur le sol ou dans un bâtiment de telle sorte qu'il ne peut pas être facilement démonté pour le stockage. Une piscine démontable est construit de telle sorte qu'il est capable d'être aisément désassemblé pour le stockage et remonté à l'état neuf

**ATTENTION!** (Pour toutes les unités installés de façon permanente destinés à être utilisés sur 15 ou 20 ampères, 125 à 240 volts, simples phase) L'unité doit être connecté uniquement à un circuit d'alimentation protégé par un disjoncteur de circuit différentiel(GFCI) . GFCI doit être posé par l'installateur et doit être testé sur une base régulière. Pour tester le disjoncteur, appuyez sur le bouton de test. Le GFCI doit interrompre l'alimentation. Appuyez sur le bouton de réinitialisation. Le courant devrait être rétabli. Si le GFCI ne parvient pas à fonctionner de cette manière, le disjoncteur est défectueux. Si la GFCI interrompt la puissance à la pompe sans que le bouton de test ne soit poussé, un courant de terre circule, indiquant la possibilité d'un choc électrique. Ne pas utiliser cette pompe. Débrancher la pompe et faire corriger le problème par un technicien qualifié avant d'utiliser....

### EMPLACEMENT DE L'INSTALLATION

Installez la pompe le plus près possible de la piscine ou du spa, mais à au moins 1,5 m (5 pi) (voir la mise en garde ci-dessus). De préférence, installez la pompe à un endroit sec et bien aéré, à l'abri des rayons directs du soleil. Installez-la sur une surface dure et de niveau. Tenez compte des aspects suivants : le drainage de l'eau loin de la pompe, la ventilation du moteur de la pompe, l'accès pour l'entretien et l'hivernage, et la protection contre les intempéries. Les pompes qui ne sont pas dotées d'une crépine sont conçues pour une aspiration submergée (tous les raccords et les tuyaux d'aspiration se trouvent au-dessous du niveau de l'eau), et le réamorçage ne s'effectue pas de façon automatique. Par conséquent, ce type de pompe doit être installé à une hauteur se trouvant au-dessous du niveau de l'eau lorsque la piscine ou le spa seront remplis; cependant, si des vannes sont installées sur le tuyau d'aspiration, la pompe peut être installée au-dessus du niveau de l'eau puisqu'il est possible de les fermer pour l'amorçage. Réduisez au minimum la distance verticale si vous décidez d'installer la pompe au-dessus du niveau de l'eau. Les pompes dotées d'une crépine s'amorcent automatiquement, mais elles doivent être le plus près possible du niveau de l'eau, ou au-dessous du niveau de l'eau, pour faciliter l'amorçage.

