



VINYL LINER & GUNITE SUCTION OUTLET (MAIN DRAIN) TYPICAL INSTALLATION

Model Numbers : MD-G15-AV, MD-G2-AV, MD-L15-AV,
MD-L2-AV, M0L215/D and M0215/D

~ Designed for single or multiples drain use
~ Submerged suction outlet

READ, THEN KEEP THESE INSTRUCTIONS FOR FUTURE REFERENCE

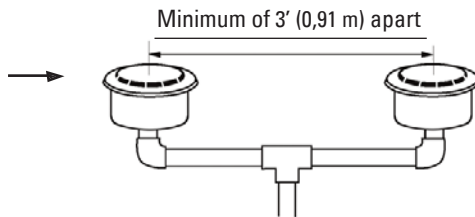


WARNING

**RISK OF SUCTION ENTRAPMENT, COULD
RESULT IN SERIOUS INJURY OR DEATH.**

Follow these instruction!

if 2 main drains listed suction outlet covers are used, follow this requierment.



Each suction outlet cover shall be rated at/or above the maximum system flow rate.

Pumps can quickly generate strong suction, which poses the risk of entrapment if improperly connected to the suction outlets. Disembowelment, entrapment or drowning can occur when body parts or hair come into contact with damaged, cracked, missing or unsecured drain covers and suction outlets. **Pumps and fittings shall be installed in accordance with the latest NSPI or IAF standards, CPSC guidelines and national, state and local codes to minimize this risk.** Some of these requirements follow. Always consult the latest regulations to ensure that your installation meets the necessary requirements to minimize suction entrapment.

- 1. All fully submerged suction outlet covers shall be listed according to the latest ANSI/ ASME A112.19.8 standard.**
- 2. Do not install suction outlets on seating areas or on the backrests for such seating areas.**
- 3. If main drains are installed in your pool, there must be a minimum of two for each pump, and each drain must include a listed suction outlet cover. Wading pools may have additional requirements to minimize entrapment hazards.**
- 4. Skimmers may supply 100% of the required flow to the pump, and must be vented to air.**

5. When two suction outlets are used, the maximum system flow rate shall not exceed the rating of either of the two listed suction outlet covers installed. When more than two are used, the sum of the ratings shall be at least twice the maximum system flow rate.

6. Each suction outlet cover shall be separated by a minimum of 3' (0,91 m), measured from the centre of the suction pipes. if any are located closer, they shall be located on two different planes (i.e., one on the bottom and one on the vertical wall, or one each on two separate vertical wall.

7. Avoid installing check valves. If check valves must be used, ensure that the installation complies with the applicable standards.

8. Never use the pool or spa if a suction outlet cover is damaged, cracked, missing or not securely attached. The suction outlet cover must be attached with stainless steel screws supplied with the cover. If the screws are lost, order replacement parts from your supplier.

9. CAUTION: Do not exceed maximum allowable flow rate.

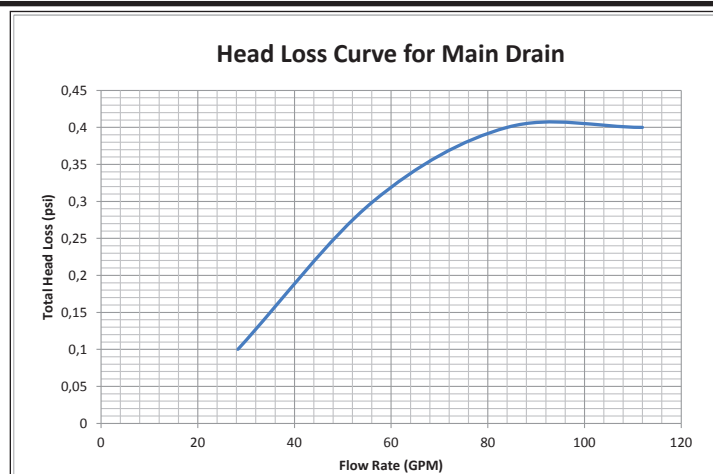
10. fitting and fasteners should be observed for damage or tampering before each use of the facility.

11. loose fittings shall be reattached before using the facility.

12. CAUTION: Do not increase flow by increasing pump size.

NOTE : For the latest NSPI or IAF standards, contact the Association of Pool and Spa Professionals (APSP) at www.theapsp.org or (703) 838-0083, ext. 301. For the latest Consumer Product Safety Commission (CPSC) guidelines, contact the CPSC at www.cpsc.gov or (301) 504-7923. "Guidelines for Entrapment Hazards : Making Pools and Spas Safer" can be viewed at www.cpsc.gov/cpsc/pub/pubs/363.pdf

Maximum flow rate: 82gpm



Carvin pool equipment Inc.

4000 boul Casavant O. Saint-Hyacinthe, Québec, Canada J2S 9E3

Tél.: (450) 250-4500 Fax: (450) 250-4501vv

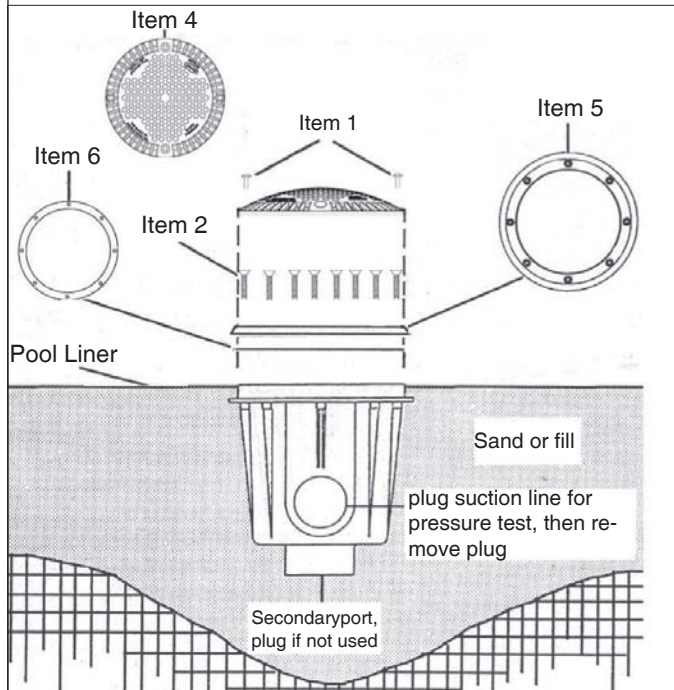
Sans frais/ toll free: 1-866-979-4501

www.carvinpool.com

221666071496H

- Use a phillips head screw driver for servicing.
- May be install Horizontally or Vertically (wall or floor application.)

VINYL LINER MAIN DRAIN TYPICAL INSTALLATION



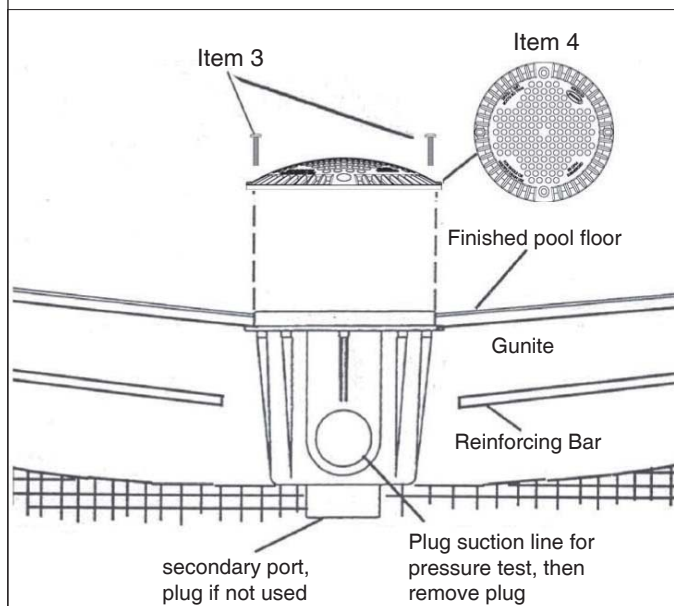
For Model Number:

94129432 - MOL215-AV
 Side port of 1-1/2" female slip/2" male slip.
 Bottom port of 1-1/2" female slip.

94120037 - MD-L15-AV
 Both port of 1-1/2" female thread.

94120011 - MD-L2-AV
 Both port of 2" female thread

GUNITE MAIN DRAIN TYPICAL INSTALLATION



For Model Number:

94129433 - MO215-AV
 Side port of 1-1/2" female slip/2" male slip.
 Bottom port of 1-1/2" female slip.

94120078 - MD-G15-AV
 Both port of 1-1/2" female thread.

94120052 - MD-G2-AV
 Both port of 2" female thread

Item #	Part Number	Description	Replace within
1-	14-2112-05-R2	Flat head cover screw (2/bag)	7 installed years
2-	14-2029-07-R8	Countersink retaining ring screw (8/bag)	7 installed years
3-	14-2638-20-R	Long flat head Cover screw (2/bag)	7 installed years
4-	43-1128-04-K	White cover with screws	7 installed years
5-	43-1129-03-R	Retaining ring	7 installed years
6-	13-1207-04-R2	Gasket (2/bag)	7 installed years
7-	N/A	Body (not available in replacement parts)	N/A



In areas where freezing temperatures occur, it is usual to close an outdoor pool for the winter. This is known as winterizing, and should be taken into account during the design of the pool. In general, winterizing involves:

- A). Emptying the piping system of all water above the frost line;
- B). Closing the pool openings against the entry of rain, snow, surface water, and debris;
- C). Removal or protection of mechanical equipment to prevent damage by vandalism and exposure to the elements.

Winterizing practices vary with the type of pool construction, the locality, and the severity of the climate. The best guide to them is the experience of local pool builders and service companies. In addition, read the winterizing information contained in the manuals supplied with the various pieces of pool equipment.

1a). SAND FILTER: Backwash for at least 30 minutes to clean the filter bed thoroughly:

1b). DIATOMACEOUS EARTH FILTER: Backwash until the waste water runs clear.

1c). CARTRIDGE FILTER: Remove and clean the cartridges for storage in a dry place.

2a). Drain or pump the pool water level below the inlet fittings. Drain the water from the filter tank and all vulnerable piping. Note that it is NOT sufficient to set the dial valve of a filter to WINTERIZE without checking that drainage actually occurs. Setting the dial valve to WINTERIZE speeds the draining of the filter by allowing air to enter the tank *IF* the drain plugs are already removed, and *IF* the drain holes are not blocked. Should the water not drain readily from the tank, either use a screwdriver to dislodge any sand blocking the drain hole, or blow out the obstruction by running the pump for a short period. Refer to the instruction manual for the location of the drain plugs, and for other information about the winterizing of the filter.

2b). Remove any pressure or vacuum gauges. Store them indoors where they will not be mislaid. Use a wrench on the square metal shanks of the gauges - do not apply force to their cases.

3a). SAND FILTER: Open the filter tank and inspect the condition of the sand.

3b). DIATOMACEOUS EARTH FILTER: Dismantle the filter, and scrub the elements with a detergent solution; if the elements are encrusted with lime, wash them in a dilute solution of muriatic acid, and rinse them thoroughly; replace elements which have defects in the cloth. Protect the filters from the elements and extreme temperatures.

4). Drain the FILTER PUMP (refer to the instruction manual): Store the pump and motor indoors, or protect them from the elements and extreme temperatures. Have any repairs made during the off-season when the best service is available - do not leave them until next season. If the electric motor requires service or repairs, take or send it to the motor manufacturer's local service station, as listed in the information supplied with the motor. Competition pool accessories Inc. ("Competition") does not undertake the service or repair of motors.

5). Remove the covers and empty the HAIR AND LINT STRAINER

and CHEMICAL FEED POTS.

6). Remove the orifice plates or directional balls from the INLET FITTINGS, and use pipe plugs or rubber expansion plugs to make these wall openings watertight.

7). SKIMMERS: **Do not pour antifreeze into the skimmer.**

ABOVE-GROUND POOLS:

Refer to the instructions supplied with the pool.

SERIES WFL-U ONLY:

DRAINING (Figure 1): This applies to a skimmer connected to main drains. Remove the cover and basket. Set the trimmer to MAX SKIM and replace the basket with the vacuum plate on top of it. Take the plug from its holder on the vacuum plate and use it to seal the center opening. For skimmers in a multiple installation, use the vacuum plate and plug to close off the skimmer as outlined above.

WINTERIZING (Figure 2): The water level in a prefabricated pool must be maintained at least 3 inches (75 mm) below the skimmer throat throughout the winter. Surplus water must be removed by pumping or draining so that it does not enter the skimmer. **In addition, the WINTERIZING KIT (Product No. 9411-9807) must be used. "Competition" will not accept any claims, in warranty or otherwise, unless the winterizing kit has been installed in accordance with the following instructions.**

The winterizing kit is made from foam material, and its purposes are:

- 1).** To absorb the expansion of any ice that forms if water enters the skimmer;
- 2).** To protect the skimmer from the vertical and lateral expansion of ice formed in the pool.

The kit consists of:

- A).** ONE piece, 1" dia. x 19" long (25 mm dia. x 48 cm long) extrusion;
- B).** TWO blocks (foam);
- C).** ONE block (foam);
- D).** ONE block (foam);
- E).** ONE dowel.

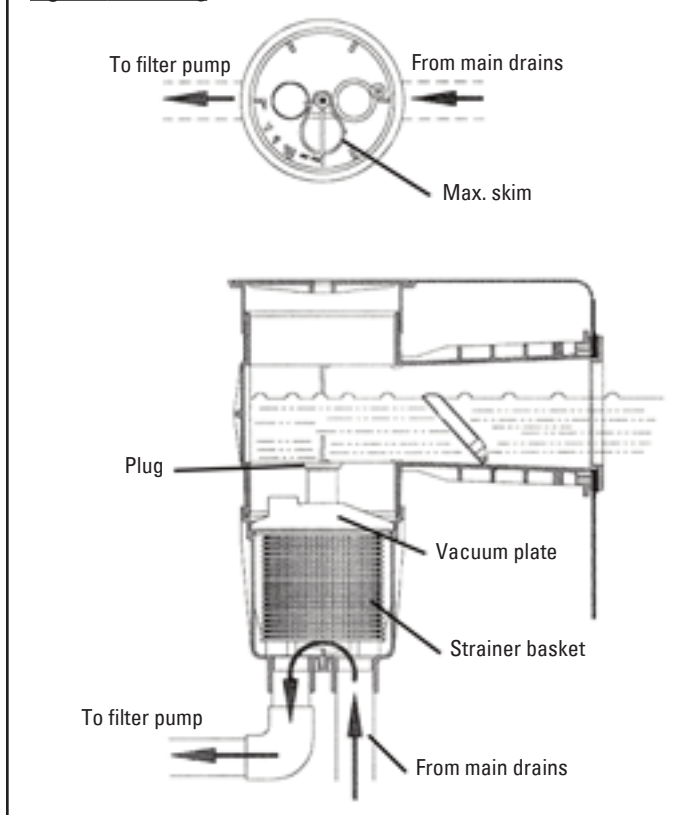
Remove the cover and basket. Store the basket in a safe place. Lower the water level in the pool to at least 3" (75 mm) below the skimmer opening. Insert piece A through the connections in the bottom of the skimmer as shown.

Place blocks B in the body of the skimmer on each side of A. It may be necessary to cut blocks B to suit. Insert block C (with the step on the bottom) through the skimmer throat until it is flush with the face flange. Push dowel E through block C to secure it on the inside of the skimmer body as shown. Fit block D over the projection of block C. Replace the cover and seal the deck opening against rain and snow by taping plastic sheet or waterproof building paper over it. **DO NOT PUT ANY ANTIFREEZE INTO THE SKIMMER OR ITS PIPING. ANTIFREEZE MAY DAMAGE THE PIPING AND THE SKIMMER.**

TO REPLACE THE WEIR: The hinges of the weir are spring-loaded. They register with recesses in the side wall of the skimmer throat

TO REMOVE THE OLD WEIR: Use a small screwdriver (with a blade about 1/8" wide), to lever one end of the hinge from its recess. Withdraw the weir.

Figure 1 - Draining



Withdraw the weir.

TO INSTALL A NEW WEIR: Compress the hinge and slide the weir into the skimmer throat until the hinge registers with the recesses in the side walls.

8). HEATERS: Refer to the instructions supplied with the heater.

9). UNDERWATER LIGHTS: Switch off the power at the distribution box and pull the fuse or trip unit.

Take the fixture from the niche and either store it in a box on deck, or hang it by its cord in the water below the freezing level.

10). Remove and store indoors such items as ladders, stair rails, and diving boards. Cover wedge and flange anchors, or seal them with special plugs. Store stainless steel equipment in a dry, well-ventilated area as far from pool chemicals as possible. Store diving boards on a flat, level surface in a dry place. This precaution will prevent cracks and warping. Never lean a diving board against a wall. Leave pool slides in place, but wrap them in black vinyl sheeting.

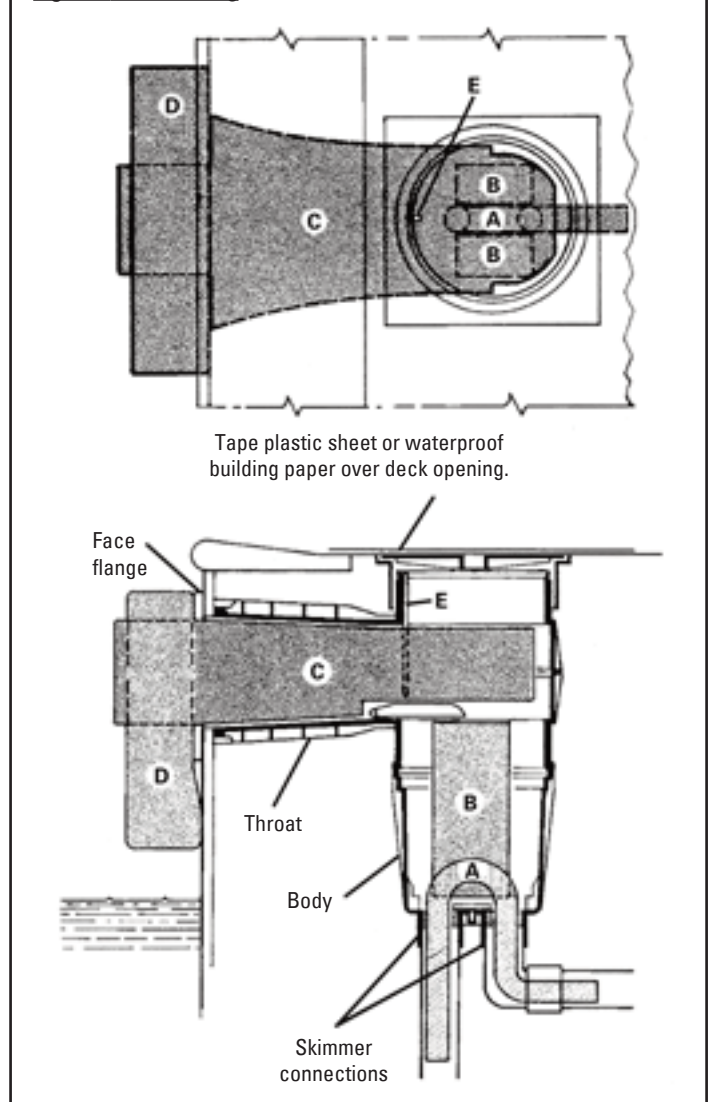
11). Use petroleum jelly, or other suitable rust preventative, to coat any unpainted or unprotected metal parts subject to corrosion.

12). With all piping drained and pool openings plugged, **refill the pool to the level recommended by our pool builder.**

A **concrete pool** is generally refilled to about two feet below normal level so that the weight of water will reduce the chance of the pool floating out of the ground in the event of excessive ground water after the spring thaw or heavy rainfall.

A **prefabricated or liner pool** is generally refilled to a level 3" (75 mm) (or

Figure 2 - Winterizing



more) below the skimmer throat to support the pool wall at all times.

A series of logs, 6 to 8 inches (15 to 20 cm) in diameter, is sometimes installed around the pool to relieve pressure from the ice that forms before the ground freezes. This practice is no longer general, but if used, the logs should be anchored to prevent them damaging the pool walls.

A method of relieving the water pressure below the ice is to use a special electric heating probe to prevent the pool freezing over completely.

13). Protect all equipment left outdoors against the elements and extreme temperatures.

14). Dirt and debris can be kept out of the pool by either installing a proprietary pool cover, or covering the pool and adjacent deck with polyethylene sheeting held down by sand bags. Before covering the pool, dose the water heavily with chlorine and algicide, so that the water remains in good condition until the next season. If the winterized pool forms a potential hazard to children or others, surround it by a snow fence or similar temporary barrier.



SORTIE DE VIDANGE À ASPIRATION POUR TOILE EN VINYLE OU BÉTON (CONDUITE PRINCIPALE DE DRAINAGE) — INSTALLATION TYPE

Numéros de modèles : MD-G15-AV, MD-G2-AV, MD-L15-AV,
MD-L2-AV, MOL215/D et MO215/D

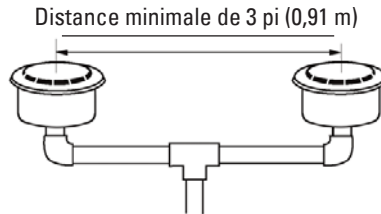
- ~ Conçu pour l'utilisation simple ou multiples.
- ~ Conduite principale de Drainage submergé

LIRE, PUIS GARDER CES INSTRUCTIONS POUR RÉFÉRENCE ULTÉRIEURE



**RISQUE DE PIÉGEAGE CAUSÉ PAR L'ASPIRATION QUI PEUT
ENTRAÎNER DES BLESSURES GRAVES, VOIRE LA MORT.
suivre ces instructions!!!**

Si 2 conduites principales de drainage avec les couvercles de sortie de vidange à aspiration répertoriés sont utilisés, suivre ces indications.



Chaque couvercle de sortie de vidange à aspiration doit avoir une capacité égale ou supérieure au débit maximal du système.

Les pompes peuvent créer rapidement une aspiration forte, ce qui entraîne un risque de piégeage si elles sont mal raccordées aux sorties de vidange à aspiration. Il est possible d'être éventré, d'être piégé ou de se noyer lorsque des parties du corps ou les cheveux entrent en contact avec des couvercles de conduite de drainage ou des sorties de vidange à aspiration endommagées, fendues, manquantes ou mal fixées. **Afin de minimiser ce risque, les pompes et les raccords seront installés conformément aux normes NSPI ou IAF, aux directives de la CPSC ainsi qu'aux codes nationaux, étatiques, provinciaux et locaux les plus récents.** Voici quelques-unes de ces exigences. Consultez toujours les règlements les plus récents afin de vous assurer que votre installation respecte les exigences nécessaires pour minimiser le risque de piégeage causé par l'aspiration.

1. Tous les couvercles de sortie de vidange à aspiration entièrement submergés seront répertoriés selon la norme ANSI/ASME A112.19.8.
2. Ne pas installer de sortie de vidange à aspiration sur des endroits destinés pour être assis ou sur des dossiers destinés pour de tels endroits assis.
3. Si des conduites principales de drainage sont installées dans votre piscine, il en faut un minimum de deux pour chaque pompe, et chaque drain doit comprendre un couvercle de sortie de vidange à aspiration répertorié. Des exigences additionnelles peuvent s'appliquer aux pataugeoires afin de réduire au minimum le risque de piégeage.
4. Les écumoires peuvent fournir 100 % du débit requis vers la pompe et doivent

être mises à l'air libre.

5. Lorsque deux sorties de vidange à aspiration sont utilisées, le débit maximal du système ne doit pas dépasser la capacité de l'un ou l'autre des deux couvercles de sortie de vidange à aspiration répertoriés installés. Lorsque plus de deux sorties sont utilisées, la somme de leurs capacités devra être au moins le double du débit maximal du système.

6. Les couvercles des sorties de vidange à aspiration seront séparés d'au moins 3 pi (0,91 m), mesuré à partir du centre des conduites d'aspiration. Si il y en a qui sont plus près, ils doivent être installés sur deux plans différents (ex: un dans le fond et l'autre sur le mur vertical, ou séparé sur deux murs verticaux différents).

7. Évitez d'installer des clapets de non-retour. S'il est nécessaire d'utiliser des clapets de non-retour, assurez-vous que l'installation est conforme aux normes applicables.

8. N'utilisez jamais la piscine ou le spa si le couvercle d'une sortie de vidange à aspiration est endommagé, fendu, manquant ou mal fixé. Le couvercle de sortie de vidange à aspiration doit être fixé à l'aide de vis en acier inoxydable fournies avec le couvercle. Si vous perdez les vis, commandez des pièces de rechange à votre fournisseur.

9. ATTENTION: ne pas dépasser le débit maximum autorisé.

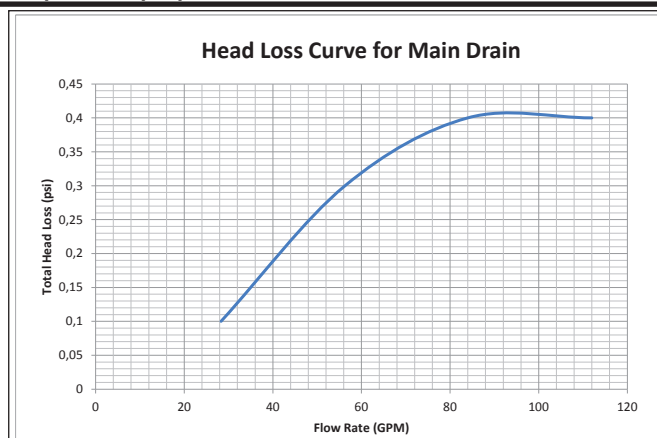
10. vérifier que chaque raccord et fixation ne sont pas endommagés avant chaque utilisation de la piscine.

11. tout le raccord et fixation doivent être réassemblés avant l'utilisation de la piscine

12. ATTENTION: ne pas augmenter le débit en augmentant la grosseur de la pompe.

REMARQUE : pour obtenir les normes NSPI ou IAF les plus récentes, communiquez avec l'Association of Pool and Spa Professionals (APSP) en consultant le site Web à l'adresse www.theapsp.org ou en composant le 703-838-0083, poste 301. Pour les dernières directives de la Consumer Product Safety Commission (CPSC), communiquez avec la CPSC en consultant le site Web à l'adresse www.cpsc.gov ou en composant le 301-504-7923. Les « Guidelines for Entrapment Hazards : Making Pools and Spas Safer » peuvent être consultées à l'adresse www.cpsc.gov/cpsc/pub/pubs/363.pdf

Débit Maximum: 82gpm



Les Équipements de piscine Carvin inc.

4000 boul Casavant O. Saint-Hyacinthe, Québec, Canada J2S 9E3

Tél.: (450) 250-4500 Fax: (450) 250-4501vv

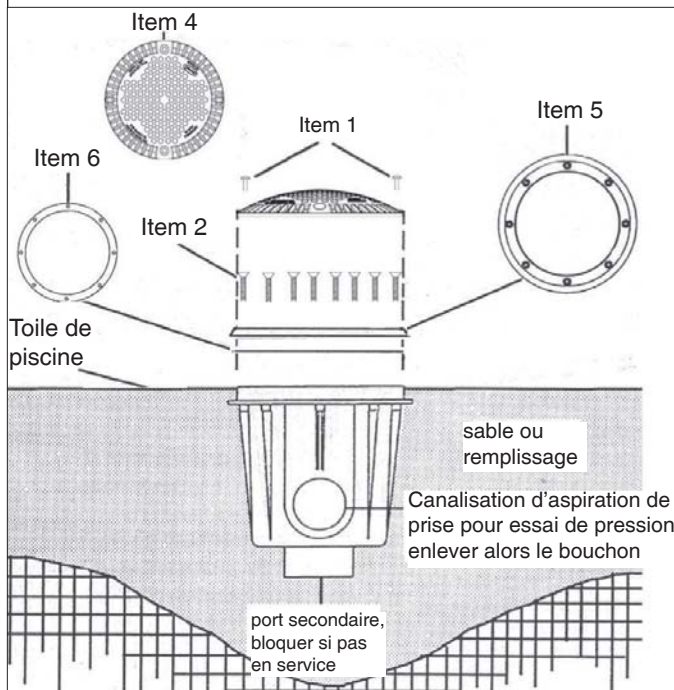
Sans frais/ toll free: 1-866-979-4501

www.carvinpool.com

221666071496H

- Utiliser un tournevis à tête étoilé pour l'installation et la réparation.
- peut être installé en position horizontale ou verticale (mur ou plancher)

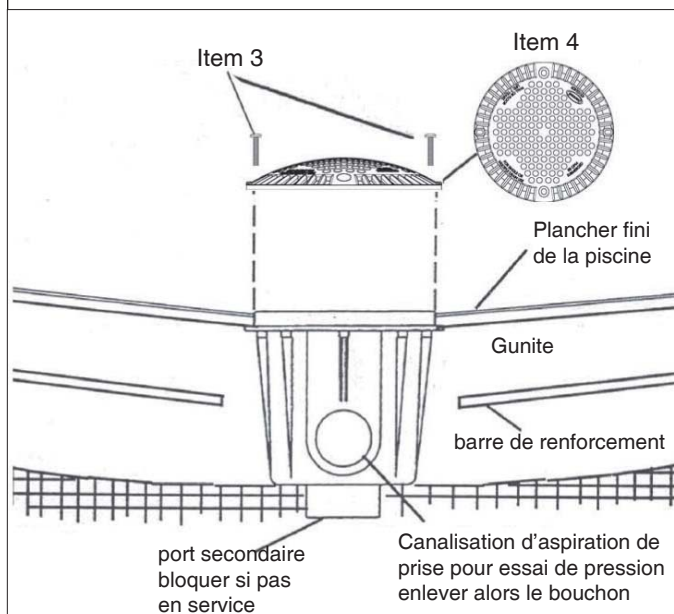
COLLECTEUR PRINCIPAL TOILE-VINYLE INSTALLATION TYPE



Pour numéro de modèle:

- 94129432 - MOL215-AV
ouverture latéral: 1-1/2" Fslip ou 2" Mslip
ouverture du dessous 1-1/2" Fslip
- 94120037 - MD-L15-AV
les 2 ouvertures: 1-1/2" fileté
- 94120011 - MD-L2-AV
les 2 ouvertures: 2" fileté

COLLECTEUR PRINCIPAL EN BÉTON, INSTALLATION TYPE



Pour numéro de modèle:

- 94129433 - MO215-AV
ouverture latéral: 1-1/2" Fslip ou 2" Mslip
ouverture du dessous 1-1/2" Fslip
- 94120078 - MD-G15-AV
les 2 ouvertures: 1-1/2" fileté
- 94120052 - MD-G2-AV
les 2 ouvertures: 2" fileté

No d'Item	numéro de pièce	Description	Remplacé avant
1-	14-2112-05-R2	vis du couvert à tête plate (2/sac)	7 ans
2-	14-2029-07-R8	vis à tête chanfreiner (8/sac)	7 ans
3-	14-2638-20-R	longue vis du couvert à tête plate (2/sac)	7 ans
4-	43-1128-04-K	couvert blanc avec vis	7 ans
5-	43-1129-03-R	Bague de retenue	7 ans
6-	13-1207-04-R2	joint d'étanchéité (2/sac)	7 ans
7-	N/A	corps (non disponible pour remplacement)	N/A



Dans les régions où des températures glaciales surviennent, il est de pratique courante de fermer une piscine extérieure pendant l'hiver. C'est ce qu'on appelle l'hivernage, et cette étape devrait être prévue dès la conception de la piscine. En général, l'hivernage signifie:

- A). Vider le système de tuyauterie de toute l'eau qui se trouve au-dessus de la ligne de gel;
- B). Fermer les ouvertures de la piscine pour empêcher l'entrée de pluie, de neige, d'eau de ruissellement et débris;
- C). L'enlèvement ou la protection de l'équipement mécanique pour éviter les dommages découlant du vandalisme et de l'exposition aux intempéries.

Les pratiques quant à l'hivernage changent selon la composition de la piscine, l'endroit où elle est installée et la rigueur du climat. La meilleure façon de connaître la bonne procédure est de se fier à l'expérience des constructeurs de piscine locaux et des entreprises oeuvrant dans le domaine de l'entretien. Également, veuillez lire les renseignements touchant l'hivernage qui se trouvent dans les manuels fournis avec les diverses pièces de l'équipement de piscine.

1a). **FILTRE AU SABLE:** Effectuer un lavage à contre-courant pendant au moins 30 minutes pour bien nettoyer le lit de filtrant.

1b). **FILTRE À DIATOMÉE:** Effectuer un lavage à contre-courant jusqu'à ce que les eaux résiduelles soient claires.

1c). **FILTRE À CARTOUCHE:** Enlever et nettoyer les cartouches, puis les entreposer dans un endroit sec.

2a). Évacuer ou pomper l'eau de la piscine jusqu'à ce que celle-ci soit au niveau des buses de refoulement. Purger le réservoir du filtre et toute la tuyauterie vulnérable. Veuillez noter qu'il NE suffit PAS de régler la soupape sélectrice du filtre au repère «WINTERIZE»; il faut aussi s'assurer que l'évacuation d'eau s'est réellement faite. En réglant la soupape sélectrice au repère «WINTERIZE», on accélère la vidange du filtre en permettant à l'air d'entrer dans le réservoir SI les bouchons d'écoulement sont déjà enlevés et SI les trous d'écoulement ne sont pas obstrués. Si l'eau ne s'écoule pas facilement, utiliser un tournevis pour enlever le sable qui bouche le trou de vidange ou faire fonctionner la pompe pendant une courte période de temps. Voir le manuel d'instructions pour connaître l'emplacement des bouchons d'écoulement et obtenir d'autres renseignements relatifs à l'hivernage du filtre.

2b). Enlever tout manomètre ou manomètre à vide. Les entreposer à l'intérieur, là où il sera facile de les retrouver. Se servir d'une clé pour retirer les tiges carrées en métal des manomètres - ne pas appliquer de pression sur les boîtiers.

3a). **FILTRE AU SABLE:** Ouvrir le réservoir du filtre et vérifier l'état du sable.

3b). **FILTRE À DIATOMÉE:** Démonter le filtre et nettoyer les éléments à l'aide d'une solution à base de détergent; si les éléments sont incrustés de dépôts calcaires, les laver dans une solution d'acide chlorhydrique diluée et les rincer à fond; remplacer les éléments dont la texture présente des défauts. Protéger les filtres contre les intempéries.

4). **Drainer la POMPE DU FILTRE** (voir le manuel d'instructions) : Ranger la pompe et le moteur à l'intérieur ou les protéger des intempéries. Il est conseillé de faire effectuer les réparations sur votre système durant la période creuse, lorsqu'un bon service est plus facile à obtenir; n'attendez pas la prochaine saison. Si le moteur électrique doit être réparé, l'apporter ou l'envoyer au centre de service local du fabricant; ces renseignements sont fournis avec le moteur. Les Accessoires de piscine Compétition Inc. («Compétition») ne fait ni l'entretien ni la réparation des moteurs.

5). Enlever les couvercles et vider le **FILTRE À CHEVEUX ET À CHARPIE**, de même que les **BACS D'ALIMENTATION CHIMIQUE**.

6). Enlever les orifices de jaugeage ou les billes dirigeables des **RACCORDS D'ADMISSION D'EAU** et utiliser des bouchons de tuyau ou des bouchons de dilatation en caoutchouc pour étanchéiser ces ouvertures dans la paroi.

7). **ÉCUMOIRES: Ne pas verser d'antigel dans l'écumoire.**

PISCINES HORS-TERRÉ:

Voir les instructions fournies avec la piscine.

SERIE WFL-U SEULEMENT:

VIDANGE (Figure 1): Cela s'applique à une écumoire reliée à des orifices d'évacuation principaux. Retirer le couvercle et le panier. Régler la déviation au repère **MAX SKIM** et remettre le panier avec la plaque d'aspiration sur le dessus. Retirer le bouchon de son support sur la plaque d'aspiration et s'en servir pour sceller l'ouverture centrale. Pour les écumoires fonctionnant sur une installation multiple, utiliser la plaque d'aspiration et la fiche pour fermer l'écumoire tel qu'indiqué ci-dessus.

PROTECTION POUR L'HIVER (Figure 2): Le niveau de l'eau dans une piscine préfabriquée doit être maintenu à au moins 3 pouces (75 mm) sous la gorge de l'écumoire pendant tout l'hiver; il est également recommandé d'enlever tout surplus d'eau en pompant ou en vidangeant cette dernière de manière à ce qu'elle ne pénètre pas dans l'écumoire. **De plus, le NÉCESSAIRE DE PROTECTION POUR L'HIVER (n° de produit 9411-9807) doit être utilisé. «Compétition» n'acceptera aucune réclamation, en garantie ou autre, à moins que le nécessaire de protection pour l'hiver n'ait été installé selon les instructions suivantes.**

Ce nécessaire de protection pour l'hiver fait de matériel en caoutchouc mousse possède les fonctions suivantes:

1). Absorber l'expansion de toute glace qui pourrait se former dans l'écumoire après entrée d'eau;

2). Protéger l'écumoire contre toute expansion verticale et latérale de la glace qui pourrait se former dans la piscine.

Le nécessaire se compose des éléments suivants:

A). UN morceau de caoutchouc mousse boudiné, mesurant 1 po de diamètre par 19 po de longueur (25 mm de diamètre x 48 cm de longueur);

B). DEUX blocs en caoutchouc mousse;

C). UN bloc en caoutchouc mousse;

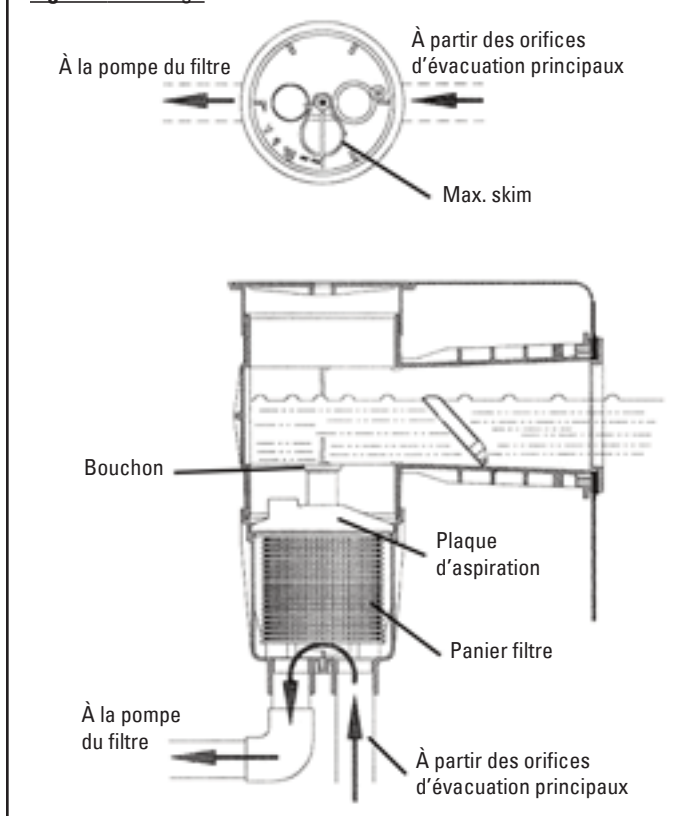
D). UN bloc en caoutchouc mousse;

E). UNE goupille.

Retirer le couvercle et le panier. Ranger le panier dans un endroit sûr. Faire baisser le niveau d'eau dans la piscine pour qu'il se situe à au moins 3 pouces (75 mm) sous l'ouverture de l'écumoire. Insérer l'élément A dans les raccords situés au bas de l'écumoire, en suivant l'illustration. Placer les blocs B dans le carter de l'écumoire, de chaque côté de l'élément A. Il peut être nécessaire de couper les blocs B. Insérer le bloc C dans la gorge de l'écumoire jusqu'à ce qu'il soit au même niveau que la bride de retenue. Pousser la goupille E dans le bloc C pour la fixer à l'intérieur du carter de l'écumoire en suivant l'illustration. Placer le bloc D par-dessus la saillie du bloc C. Remettre le couvercle en place et protéger le dessus de la piscine contre la pluie et la neige en le recouvrant d'une feuille de plastique ou de papier de construction hydrofuge. Fixer à l'aide de ruban adhésif. **NE PAS VERSER D'ANTIGEL DANS L'ÉCUMOIRE OU LA TUYAUTERIE. L'ANTIGEL PEUT ENDOMMAGER L'ÉCUMOIRE ET LA TUYAUTERIE.**

REMPACEMENT DU DÉVERSOIR: Les articulations du déversoir sont à ressort. Elles coïncident avec les recoins de la paroi latérale de la gorge de l'écumoire.

Figure 1 - Vidange



RETRAIT DE L'ANCIEN DÉVERSOIR: Utiliser un petit tournevis (avec une lame d'environ 1/8 po de large), pour retirer une extrémité de l'articulation de son recoin. Retirer le déversoir.

MISE EN PLACE D'UN NOUVEAU DÉVERSOIR: Comprimer l'articulation et faire glisser le déversoir dans la gorge de l'écumoire, jusqu'à ce que l'articulation coïncide avec les recoins des parois latérales.

8). CHAUFFE-EAU: Voir les instructions fournies avec le chauffe-eau.

9). LAMPES SOUS-MARINES: Interrompre le courant dans la boîte de distribution et enlever les fusibles ou le bloc-disjoncteur. Retirer la lampe de la niche et puis la mettre dans une boîte sur le bord de la piscine ou la laisser pendre au bout du cordon dans l'eau à une profondeur où elle ne gèlera pas.

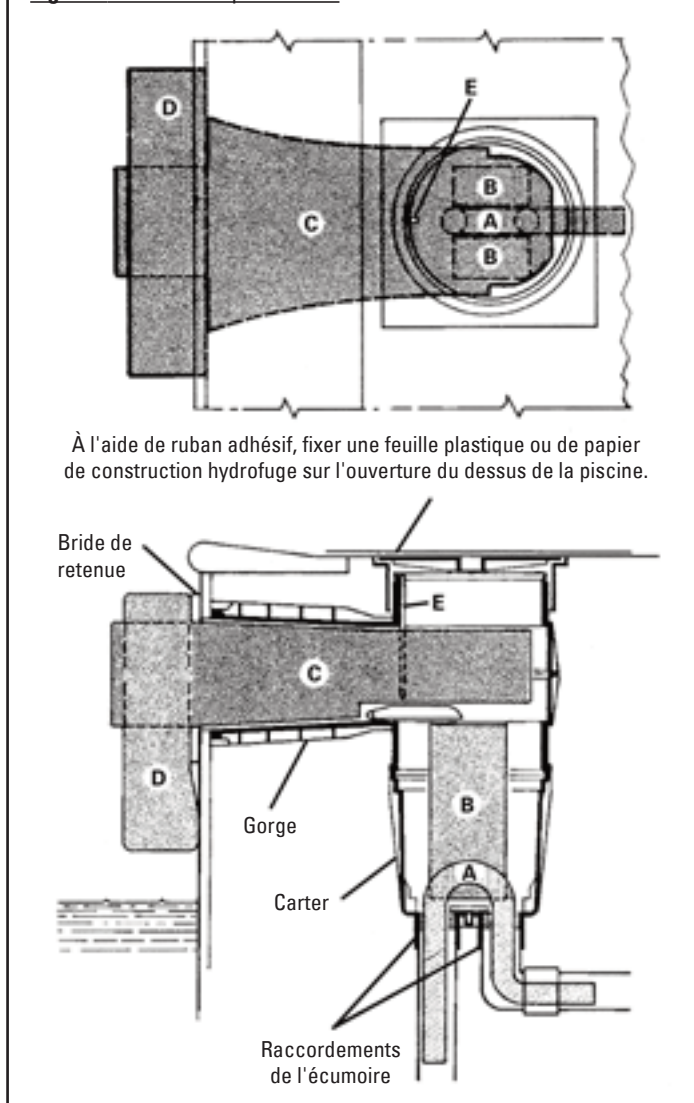
10). Enlever les articles comme les échelles, les rampes et les trempins. Recouvrir les ancrages en coin et les ancrages à collet ou les sceller à l'aide de bouchons spéciaux. Entreposer l'équipement en acier inoxydable dans un endroit sec et bien aéré, aussi loin que possible des produits chimiques de la piscine. Ranger les trempins sur une surface plate et surélevée, dans un endroit sec. Cela empêchera la formation de crevasses et le gauchissement. Ne jamais appuyer un trempin contre un mur. Laisser les glissoires en place mais les envelopper dans une feuille de vinyle noir.

11). Utiliser de la vaseline ou tout autre antirouille approprié pour couvrir toute pièce de métal non peinte ou non protégée et qui est sujette à la corrosion.

12). Lorsque toute l'eau a été évacuée de la tuyauterie et que toutes les ouvertures de la piscine sont bouchées, **remplir la piscine jusqu'au niveau conseillé par votre constructeur de piscine.**

Habituellement, on remplit une **piscine en béton** jusqu'à environ deux pieds sous le niveau normal, de manière à ce que le poids de l'eau diminue les risques que la piscine se mette à flotter à cause de quantités excessives d'eau souterraine dues au dégel printanier ou à des pluies abondantes.

Figure 2 - Protection pour l'hiver



À l'aide de ruban adhésif, fixer une feuille plastique ou de papier de construction hydrofuge sur l'ouverture du dessus de la piscine.

Habituellement, une piscine **préfabriquée** ou à **parois flexibles** doit être rempli 3 po (75 mm) (ou plus) sous le collet de l'écumoire afin de supporter les parois de piscine en tout temps.

Avant que la terre gèle, on place parfois des pièces de bois ronds de 6 à 8 pouces (15 à 20 cm) de diamètre autour de la piscine pour diminuer la pression de la glace qui se forme. Cette méthode n'est plus une pratique courante, mais si on l'utilise, les morceaux de bois devront être fixés pour ne pas endommager les parois de la piscine.

Un moyen de diminuer la pression de l'eau sous la glace est d'utiliser une sonde à chauffage électrique spéciale pour empêcher qu'elle ne gèle complètement.

13). Protéger tout l'équipement laissé à l'extérieur contre les intempéries et les températures extrêmes.

14). On peut empêcher l'entrée de la poussière et de débris dans la piscine en installant soit un recouvrement de piscine approprié ou en recouvrant la piscine et le pont adjacent de feuilles de polyéthylène maintenues à l'aide de sacs de sable. Avant de recouvrir la piscine, y verser un fort dosage de chlore et d'algicide, de sorte que l'eau reste en bon état jusqu'à la prochaine saison. Si la piscine hivernée constitue un danger potentiel pour les enfants ou d'autres personnes, l'entourer d'une clôture à neige ou d'une barrière temporaire semblable.

LES EQUIPEMENTS DE PISCINE CARVIN INC.

Tél.: (450) 250-4500 Fax: (450) 250-4501
www.carvinpool.com