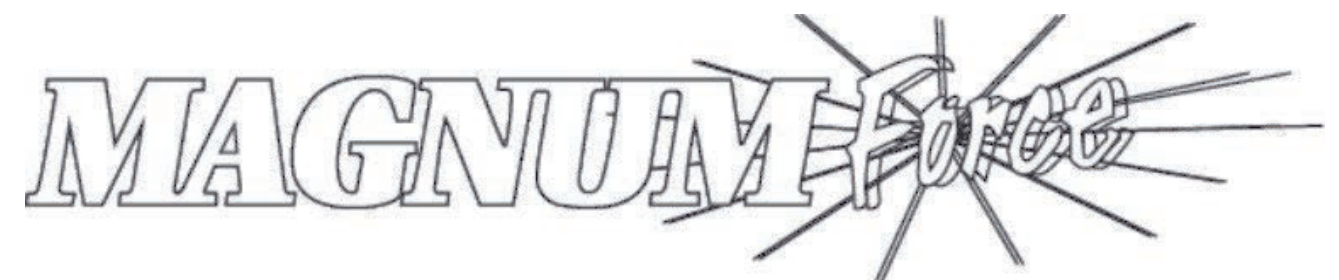


LES ÉQUIPEMENTS DE PISCINE CARVIN inc.
CARVIN POOL EQUIPMENT inc.

4000 boul Casavant O. Saint-Hyacinthe
 (Québec) Canada
 Tel: 450-250-4500 : Fax: 450-250-4501
 Sans Frais_Toll Free: 1-866-979-4501
<http://www.carvinpool.com>



VARIABLE SPEED
VITESSE VARIABLE
VELOCIDADE VARIABLE

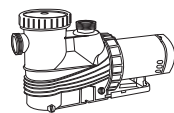




MAGNUM FORCE VARIABLE SPEED PUMPS

Owner's Manual

SAVE THESE INSTRUCTION



MAGNUM FORCE SERIES

Before installation, be sure to read all instructions and warnings carefully. Refer to product dataplate(s) for additional operation instruction and specifications.

INSPECTION

Examine the equipment when received. Notify your dealer or carrier of any damage or missing parts. Verify that equipment is of size and model specified.

IMPORTANT SAFETY INSTRUCTIONS

When installing and using this electrical equipment, basic safety precautions should always be followed, including the following:



RISK OF SUCTION ENTRAPMENT HAZARD WHICH, IF NOT AVOIDED, MAY RESULT IN SERIOUS INJURY OR DEATH.

Pumps can quickly generate high suction, which poses the risk of entrapment if improperly connected to suction outlets. Disembowelment, entrapment, or drowning is possible when body parts or hair contact damaged, cracked, missing, or unsecured drain covers and suction outlets. **Pumps and fittings shall be installed in accordance with the latest NSPI or IAF standards, CPSC guidelines, and national, state and local codes, to minimize this risk.** Some of those requirements are as follows. Always consult the latest regulations to ensure that your installation meets the necessary requirements to minimize suction entrapment.

1. All fully submerged Suction Outlet Covers shall be listed to ANSI/ASME A112.19.8 standard.
2. Do not use a pump in an installation where there is only one fully submerged single suction outlet.
3. If main drains are installed in your pool, there must be a minimum of two for each pumping system, and each drain must include a Listed Suction Outlet Cover. Wading pools may have additional requirements to minimize entrapment hazards.
4. Skimmers may supply 100% of the required flow to the pump, and must be vented to atmosphere. A skimmer is not considered a second main drain.
5. When two suction outlets are used, the maximum system flow rate shall not exceed the rating of any one of the listed suction outlet covers installed. When more than two are used, the sum of the ratings shall be at least twice the maximum system flow rate.
6. Each Suction Outlet Cover shall be separated by a minimum of three feet (3'), measured from center of suction pipes.
7. Avoid installing check valves. If check valves must be used, ensure that the installation conforms to applicable standards.
8. Never use the pool or spa if a Suction Outlet Cover is damaged, cracked, missing, or not securely attached. Suction outlet cover must be attached with stainless steel screws supplied with the cover. If screws are lost, order replacement parts from your supplier.

NOTE: For the latest NSPI or IAF Standards, contact the Association of Pool and Spa Professionals (APSP) at www.theapsp.org or (703) 838-0083, ext. 301. For the latest Consumer Product Safety Commission (CPSC) Guidelines, contact the CPSC at www.cpsc.gov or (301) 504-7923. "Guidelines for Entrapment Hazards: Making Pools and Spas Safer" can be viewed at www.cpsc.gov/cpsc/pub/pubs/363.pdf



WARNING! To reduce risk of injury, do not permit children to use this product unless they are closely supervised at all times.



WARNING! (For cord & plug connected units) **Risk of Electric Shock.** Connect only to a grounding type receptacle protected by a ground-fault circuit-interrupter (GFCI). Contact a qualified electrician if you cannot verify that the receptacle is protected by a GFCI.



WARNING! (For cord & plug connected units) **Do not bury cord.** Locate cord to minimize abuse from lawn mowers, hedge trimmers and other equipment.



WARNING! (For cord & plug connected units) To reduce the risk of electric shock, replace damaged cord immediately.



WARNING! (For hot tub and spa pumps) Do not install within an outer enclosure or beneath the skirt of the hot tub or spa, unless so marked.



WARNING! (For cord & plug connected units) To reduce the risk of electric shock, **do not use an extension cord** to connect unit to electric supply; provide a properly located outlet.



WARNING! Locate the pump at least five feet (1.5M) from the pool to prevent it being used as a means of access to the pool by young children. (See ANSI/NSPI-8 1996 "Model Barrier Code For Residential Swimming Pools, Spas and Hot Tubs".)



CAUTION! (For Swimming pool pumps intended for use with permanent swimming pools or spas) this pump is for use with permanently-installed pools and may also be used with hot tubs and spas if so marked. do not use with storable pools. A permanently-installed pool is constructed in or on the ground or in a building such that it cannot be readily disassembled for storage. A storable pool is constructed so that it is capable of being readily disassembled for storage and reassembled to its original integrity

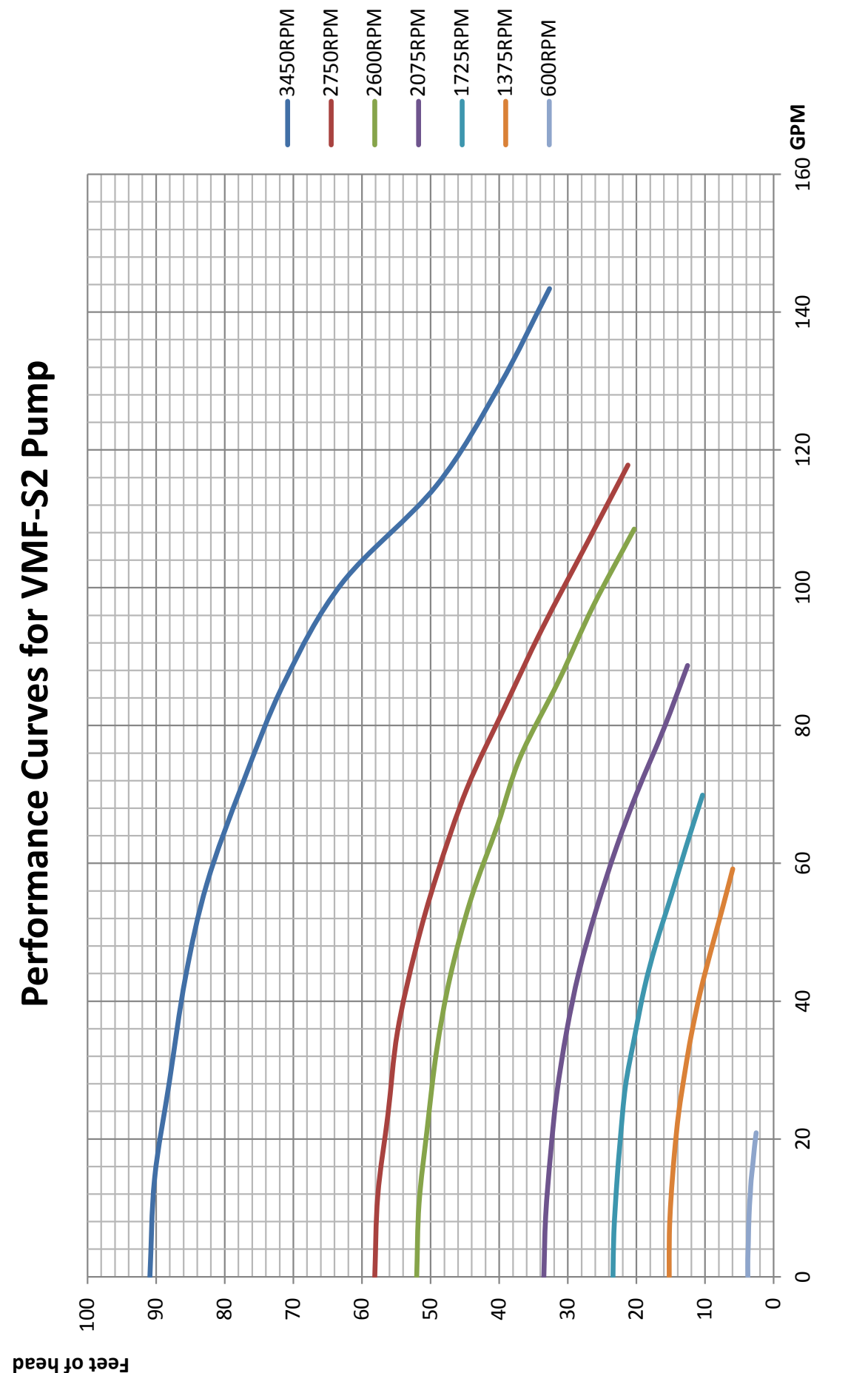


WARNING! (For all permanently-installed units intended for use on 15 or 20 ampere, 125 through 240 volts, single phase branch circuits) The unit must be connected only to a supply circuit that is protected by a ground-fault circuit-interrupter (GFCI). Such GFCI should be provided by the installer and should be tested on a routine basis. To test the GFCI, push the test button. The GFCI should interrupt power. Push the reset button. Power should be restored. If the GFCI fails to operate in this manner, the GFCI is defective. If the GFCI interrupts power to the pump without the test button being pushed, a ground current is flowing, indicating the possibility of an electric shock. Do not use this pump. Disconnect the pump and have the problem corrected by a qualified service representative before using.

INSTALLATION LOCATION

Locate the pump as close to pool/spa as possible, but keep at a minimum distance of five feet (1.5M). (See previous Warning.) Locate the pump preferably in a dry, well ventilated area away from direct sunlight. It should be on a hard, level surface. Give consideration to: drainage-away from pump, ventilation of pump motor, access for future servicing and winterizing, and protection from the elements. Pumps without strainer bodies are designed for flooded suction (all suction fittings and suction piping below water level) and will not self-prime. Consequently, the pump must be installed at an elevation that is below water level when pool or spa is filled; however, if suction line valves are installed, the pump may be located above the water level since the valve can be closed for priming. Keep vertical distance to a minimum if you choose to mount pump above water level. Pumps with strainer bodies are self-priming but should be mounted as close to the water level as possible or below for ease in priming.

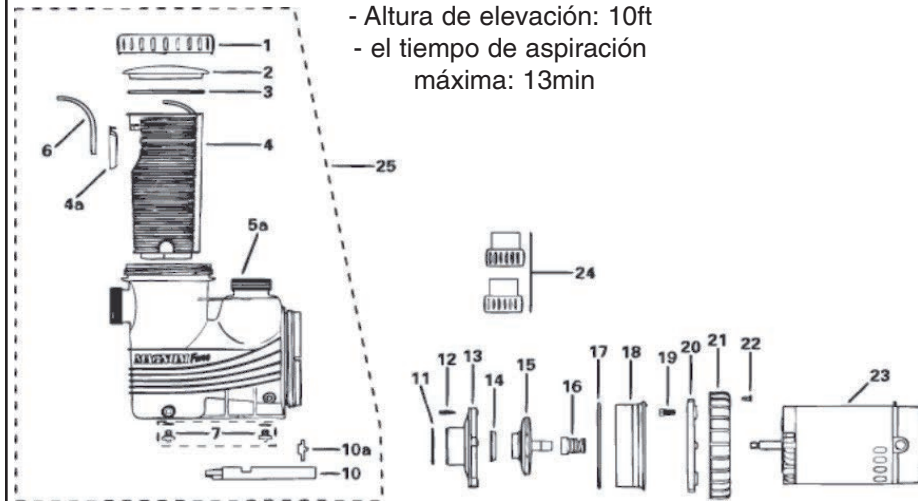
Performance Curves for VMF-S2 Pump



**Piezas para modelos Magnum, Magnum Plus,
Magnum Force y Magnum Force 3**

Velocidad m nima de cebado: 2600RPM

- Altura de elevaci3n: 10ft
- el tiempo de aspiraci3n m xima: 13min



N�mero	Peiza No.	DESCRIPCION
1	42-2828-06-R	Anillo de bloqueo Ring-Lok SM
2	39-2579-02-R	Tapa de filtro
3	47-0358-03-R	Junta t3rica
4	16-1134-09-R	Filtro (12 po de alto) con clapet
4a	16-1135-10-R	V�lvula
5a	03-0906-02-R	Chasis Magnum Force con tapas y filtro
6	31-1746-00-R	Tubo de cebado para filtro
7	31-1609-06-R2	Tapa de vaciado con junta t3rica (2 por bolsa)
	31-1609-06-R50	Tapa de vaciado con junta t3rica (50 por bolsa)
10	12-1126-03-R	Base de bomba
10a	12-1124-05-R	Base de motor
11	47-0232-54-R	Junta para buje cuadrado
12	14-4206-08-R3	Tornillo acero inox. hexagonal n�8 x 1 1/4 po (3 por bolsa)
13	06-0010-02-R	Difusor
14	10-1462-07-R	Junta, 1/2 -3 HP
15	05-0384-01-R	Turbinas
16	10-1502-09-R	Juntas de eje
17	47-0364-47-R	Junta t3rica de 6 3/4 po x 7 1/8 po
18	02-1392-03-R	Cavidad de la junta
19	14-1293-24-R4	Tornillo PL cabeza hexagonal de 3/8 po - 6 x 7/8 po (4 por bolsa)
20	02-1368-02-R	SopORTE caja de motor
21	42-2886-05-R	Anillo de bloqueo Ring-LokMC de bomba, con cliquet
22	42-2867-08-R	Cliquet para anillo de bloqueo Ring-Lok SM
23		Motor (contactar distribuidor local)
24	31-1501-09-R2	Medio estuche2UN (2 de c/u)
25	42-2345-06-R	Conjunto chasis/z3calo/filtro contiene n� 1, 2, 3, 4, 4a, 5, 6, 7

**CARVIN POOL EQUIPMENT INC.
Garant a limitada**

Los Accesorios de piscina Carvin inc. ("Carvin") garantiza que los productos para piscinas "Carvin" est n exentos de todo defecto de fabricaci3n y de mano de obra durante un per odo de 12 meses a partir de la fecha de compra. Las excepciones siguientes se aplican:

Bombillas de luz: las bombillas de luz FullMoon Watercolor LED tienen garant a por doce meses desde la fecha de compra; las bombillas de luz incandescentes est n garantizadas por 90 d as desde la fecha de compra.

Varios: Accesorios para el filtro, mallas DE, l nea blanca, cestos para el filtro, solapas y tubos lisos para cestos del filtro, man3metros, anillos cuadrados, arandelas, juntas y todas las partes de repuesto est n garantizados por doce meses desde la fecha de la compra.

**CONDICIONES PARA PODER EJECUTAR
LA GARANT A:**

Para poder activar esta garant a de 12 meses, los productos "Carvin" deben estar registrados con "Carvin" ya sea por cualquiera de los siguientes m todos:

- Por correo: env e por correo la Tarjeta de Registro de garant a
- En l nea: en www.carvinpool.com

Todos los defectos deben ser reportados dentro de 72 horas para poder evitar la extensi3n del defecto a otros equipos, si no se cumple con esto la presente garant a no ser  aceptada. Esta garant a no es transferible y se extiende s3lo al comprador minorista original y dura solamente el tiempo durante el cual el comprador minorista original ocupe el lugar donde se instal3 en un primer momento el producto. La responsabilidad de garant a de "Carvin" respecto a equipos fabricados por terceros se limita a la garant a expedida a "Carvin" por parte de sus proveedores (por ejemplo: motores).

Esta garant a se aplica a productos utilizados en piscinas, spas y productos de acuicultura solamente y no se aplica a ning n producto que haya sufrido da os, cambios, accidentes, abusos, mal uso, instalaci3n inadecuada, abrasivos, corrosi3n, voltaje inadecuado, vandalismo, alteraciones, casos de fuerza mayor (que incluyen da os causados por heladas, rel mpagos y cat strofes). Las  nicas garant as autorizadas por "Carvin" son las que se detallan en este documento. "Carvin" no autoriza a que otras personas - extiendan la garant a de sus productos, ni tampoco asumir  ninguna responsabilidad por garant as no autorizadas, realizadas en relaci3n con la venta de sus productos. "Carvin" no se har  responsable de ninguna declaraci3n hecha o publicada, escrita o verbal, que sea err3nea o inconsistente con los hechos publicados en los textos y especificaciones de "Carvin".

PROCEDIMIENTO DE RECLAMO DE GARANT A

Los reclamos de garant a deben realizarse contactando al instalador/vendedor, constructor, distribuidor, representante (punto de venta), o bien al distribuidor de productos para piscinas "Carvin" que corresponda a su zona de residencia. Antes de que se autorice la garant a, todos los equipos deben ser revisados o bien en f brica, o bien por un representante local de "Carvin". Todos los gastos de flete hacia y desde la f brica, el retiro y la reinstalaci3n de los productos o la instalaci3n del repuesto son responsabilidad del comprador salvo que "Carvin" autorice expresamente lo contrario. "Carvin", sin dejarlo expreso, puede reparar o reemplazar sin cargo (precio de f brica F.O.B. en Saint-Hyacinthe, Qu bec, Canada) cualquier producto que tenga fallas dentro del per odo de garant a o puede emitir un cr dito por la cantidad facturada por el equipo con fallas en lugar de su reparaci3n o reemplazo. "Carvin" se reserva el derecho de sustituir equipo nuevo o mejorado en cualquier reemplazo.

GENERAL PLUMBING

FOR SOLVENT WELD CONNECTIONS

Rigid or flexible PVC pipe can be used. Pipe ends should be clean and free of any flash caused by the cutting operation. Be sure that the proper adhesive is used on the type of pipe specified. Recommended Adhesives - These are examples only and are not intended to restrict brands:

PVC-PVC Joint

- Uni-Weld Pool-Tite 2000
- Suregard Flex 20
- IPS Weld-On 705

PVC-ABS Joint

- Uni-Weld Pool-Tite 2000
- Suregard Weld-All No. 5
- IPS Weld-On 794

Note: A primer will assure that adhesive joints are superior. Suregard P-3000 has a purple tracer to qualify in areas where codes specify a primer must be used.

Caution: We recommend that you consider climatic conditions when applying adhesives. Certain atmospheric situations, such as high moisture content, make the adhesive action of certain glues less effective. Check the manufacturer's instructions.

FOR THREADED CONNECTIONS

Use only Teflon tape or equivalent on threaded plumbing connections. Other pipe compounds may damage threads. We do not recommend the use of silicone or petroleum based compounds. DO NOT OVER-TIGHTEN: HAND TIGHTEN PLUS 1/2 TURN IS SUFFICIENT.

PUMP PLUMBING

Suction pipe should be as large or larger than discharge pipe. Avoid using a suction pipe smaller than pump connection. Keep the piping as straight and short as possible, and of suitable size. Avoid connecting an elbow directly into the pump inlet (use a length of straight pipe to allow a proper entry for the water). Arrange horizontal runs to slope upward to the pump to prevent high spots that could form air pockets. Support the piping independently so that it places no strain on the pump. Keep as much of the suction line as possible below the water level to reduce priming time. Install valves and unions in the pump suction and return lines to facilitate servicing.

Valves are recommended for throttling the pump discharge. The valves are essential for pump maintenance if the system is installed below deck level. Suction valves are essential for priming all pumps without strainer bodies installed above water level. Pumps with strainer bodies are self-priming. Keep the valve in the suction line fully open during operation.

ELECTRICAL DATA

Refer to information on motor nameplate for electrical service data. All motors should have fused disconnect switch or circuit breaker. Be sure wire size is sufficient for pump HP and distance from power source. Wiring should be done in accordance with applicable codes by a competent electrician. We recommend the installation of a ground fault circuit interrupter for maximum safety. For all Pumps that as a 3 phase motor and the indication «NOT» or No Overload Thermostats on its data plate, magnetic line starters with overload relays shall be provided upon installation

PUMP START-UP

Do not operate pump until it has been primed as water acts to cool and lubricate the seal. For pumps without strainer bodies and located above water, close suction line valve and fill pump with water in order to prime. For pumps with strainer bodies and located above water, prime by removing strainer cover and filling strainer body with water. Pumps located below water level will self-prime if all piping is also below water level. After pump has been primed, energize motor and open all suction and discharge line valves. It may take some time for pump to remove air from the suction lines. If no flow is observed in five minutes, stop the motor and re-prime. If the pump fails to operate, check for air leaks. Refer to Trouble Shooting section. After about 10 minutes of operation, check the return fittings for air bubbles. A continuous flow of air indicates leaks in the suction line. Locate and correct any leaks immediately.

CONTROLLING THE OUTPUT

Keep the gate valve in the suction line fully open during operation. Should it be necessary to control the output, use a valve in the return line.

Caution: Do not re-tighten strainer Ring-Lok during operation. **Caution:** Do not

operate pump with closed suction or discharge valves.

WINTERIZING

Consult your dealer for advice on winterizing your equipment if freezing temperatures occur in your locality. His knowledge of your equipment makes him the best qualified source of information. Follow his recommendations, and if these include draining the filter system, proceed as follows: If your system does not contain a filter, proceed to step 2.

A. For sand filter: BACKWASH for 3 to 5 minutes and then set dial valve to WINTERIZE position.

B. Drain system by loosening drain plugs (drain plugs will drain without completely removing plug from unit) and/or removing pipe caps.

WATER CHEMISTRY

A proper and consistent use of chemicals is necessary to maintain clean, sanitary water, prevent a spread of germ infection and control the growth of algae which can spoil the appearance and enjoyment of your pool or spa. Chlorine is the most commonly used chemical to provide clean, sanitary water. Either dry or liquid chlorine (calcium or sodium hypochlorite) can be used which should be added daily as it is dissipated by dirt and germs as well as by the sun and the wind. It is also important that the correct level of acidity or alkalinity of the pool water be maintained. This is the pH of your pool with pH 7.0 being neutral. Readings above pH 7.0 are alkaline and readings below are acid. A desirable range is 7.2 to 7.4.

PUMP MAINTENANCE

- 1). Motors are self-lubricated - no lubrication required.
- 2). Clean hair and lint strainer if you have a strainer body pump.
- 3). Visually inspect motor for blockage of air vents on motor shell. Remove any debris after shutting off breaker.
- 4). Shaft seals may become worn and must be replaced if leakage is observed.

CLEANING HAIR AND LINT STRAINER

Switch off the power. Close the valves in the suction and return line. Unscrew strainer Ring-Lok counter-clockwise and remove the strainer cover from the hair and lint strainer and lift out the strainer basket. Clean and replace the basket. Take care to seat the basket properly. Clean the O-Ring and re-lubricate with silicone based lubricant. Clean O-ring seats on the cover and strainer. Refit the cover and strainer Ring-Lok, hand-tighten only, and open the valves. Put the pump back into operation. **Caution:** Do not re-tighten strainer Ring-Lok during operation.

MOTOR DOES NOT START:

Disconnect switch open or fuses blown; Motor windings burned out; Defective starting switch inside motor or defective wiring.

MOTOR DOES NOT REACH FULL SPEED:

Low voltage; Shaft binding or impeller rubbing.

MOTOR OVERHEATS (protector trips):

Low voltage; Inadequate ventilation.

PUMP DELIVERS LITTLE, OR NO WATER/LOW PRESSURE:

Pump not primed; Leakage of air into suction system; Impeller clogged; Valve in suction or discharge line partly closed; Suction or discharge line partly plugged or too small; Plugged basket in skimmer or hair in lint strainer; Dirty filter.

HIGH PUMP PRESSURE:

Discharge valve or inlet fittings closed too much; Return lines too small; Dirty filter.

NOISY PUMP AND MOTOR:

Plugged basket in skimmer or hair in lint strainer; Defective motor bearings; Valve in suction line partly closed or line partly plugged; Vacuum cleaner hose plugged or too small; Piping causing strain on pump case; Impeller rubbing on pump case.

LEAKAGE OF WATER AT SHAFT:

Shaft seal requires replacement.

AIR BUBBLES AT INLET FITTINGS:

Leakage of air into suction line or strainer; Restriction in suction line; Low water level in pool.

**Parts for Models Magnum Force
Variable Speed**

Minimum Priming speed: 2600RPM
Lift Height: 10ft
Max Priming time: 13min

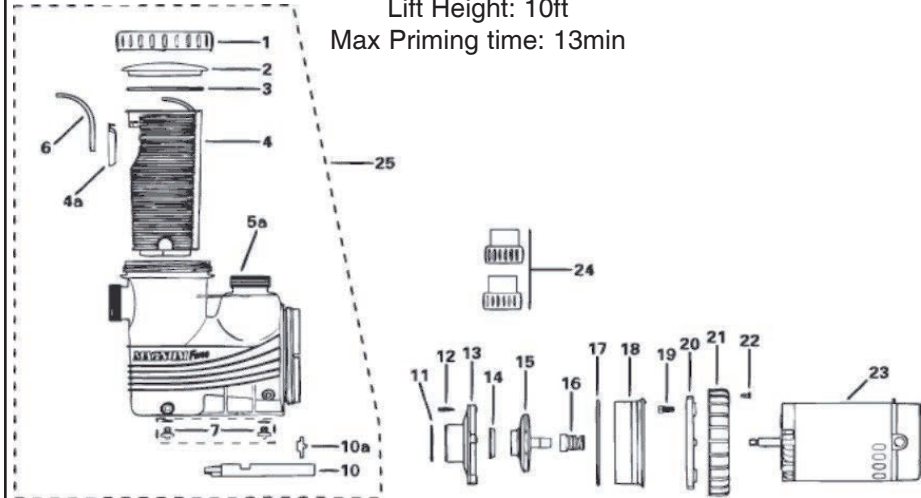


FIG. No	PART No	DESCRIPTION
1	42-2828-06-R	Strainer Ring-Lok™
2	39-2579-02-R	Strainer Cover
3	47-0358-03-R	Strainer O-Ring
4	16-1134-09-R	Strainer Basket (12" tall) w/Flapper for Magnum Force
5a	03-0906-02-R	Magnum Force Body with Plugs and Basket
6	31-1746-00-R	Strainer Basket Air Bleed Tube
7	31-1609-06-R2 31-1609-06-R50	Drain Plug w/O-Ring (2 per bag) Drain Plug w/O-Ring (50 per bag)
10	12-1126-03-R	Pump Base for Magnum Force
10a	12-1124-05-R	Motor Support for Magnum Force
11	47-0232-54-R	Square Ring Gasket
12	14-4206-08-R3	Hex Washer Head Screw #8 x 1-1/4" SS (3 per bag)
13	06-0010-02-R	Diffuser
14	10-1462-07-R	Eye Seal
15	05-0384-01-R	Impellers
16	10-1502-09-R	Shaft Seal
17	47-0364-47-R	O-Ring 6-3/4" x 7-1/8"
18	02-1392-02-R	Seal Housing
19	14-1293-24-R4	PL Hex Capscrew 3/8" - 16 x 7/8" (4 per bag)
20	02-1368-02-R	Motor Housing Bracket
21	42-2886-05-R	Pump Ring-Lok™ w/Ratchet
22	42-2867-08-R	Mounting Ring-Lok™ Ratchet
23		Motor (Contact your local dealer)
24	31-1003-35-R2 31-1501-09-R2	2UN Half Kit (incl. 2 each) 2UN Half Kit (incl. 2 each)
25	42-2345-06-R	Case/Base/Basket Assy. for Magnum Force: # 1, 2, 3, 4, 4a, 5, 6, 7,10, 10a

**CARVIN POOL EQUIPMENT INC
Limited Warranty**

Carvin Pool Equipment Inc. ("Carvin") warrants "Carvin" pool products to be free of defects in material and workmanship for a period of 12 months from the date of purchase with the following exceptions:

Light Bulbs – Full Moon Watercolor LED light bulbs are warranted for 12 months from the date of purchase; incandescent bulbs are warranted for 90 days from the date of purchase.

Misc. - Filter elements, DE grids, white-goods, strainer baskets, strainer basket "flap" and "priming tube", pressure gauges, square rings, o-rings, gaskets, and all replacement parts are warranted for 12 months from the date of purchase.

**CONDITIONS IN ORDER TO EXERCISE
THE WARRANTY:**

In order to activate this 12 month warranty, "Carvin" products must be registered with "Carvin" by either of the following methods:

- Mail-in the Warranty Registration Card
- Online at www.carvinpool.com

All defects must be denounced within 72 hours in order to avoid the spreading to other equipment, failing which, the present warranty will not be honoured. This warranty is non transferable and extends only to the original retail buyer and only during the time in which the original retail buyer occupies the site where the product was originally installed. "Carvin" warranty obligation with regard to equipment which it does not itself manufacture is limited to the warranty actually extended to "Carvin by its suppliers (i.e. motors).

This warranty applies to products used in swimming pools, spas, & aquaculture applications only and does not apply to any product which has been subjected to negligence, alteration, accident, abuse, misuse, improper installation, abrasives, corrosion, improper voltage supply, vandalism, civil disturbances, or acts of God (including but not limited to damage caused by freezing, lightning strikes, and other damage caused by catastrophic events). The only warranties authorized by "Carvin" are those set forth herein. "Carvin" does not authorize other persons to extend any warranties with respect to its products, nor will "Carvin" assume liability for any unauthorized warranties made in connection with the sale of its products. "Carvin" will not be responsible for any statements that are made or published, written or oral, which are misleading or inconsistent with the facts as published in the literature or specifications furnished by "Carvin".

WARRANTY CLAIM PROCEDURE

Warranty claims shall be made by contacting the installer/seller, builder, dealer, or retailer (point of purchase) or the "Carvin" pool products distributor in your area. All equipment must be inspected by a local "Carvin" authorized representative or at the factory before warranty is authorized. All charges or expenses for freight to and from the factory, removal and reinstallation of the products, or installation of a replacement product are the responsibility of the purchaser unless otherwise expressly authorized in writing by "Carvin". "Carvin", at its discretion, may repair or replace free of charge (F.O.B. factory in Saint-Hyacinthe, Québec, Canada) any product that proves defective within the warranty period, or it may issue credit in the amount of the invoice of the defective equipment in lieu of its repair or replacement. "Carvin" reserves its right to substitute new or improved equipment on any replacements.

TUBERÍA

EMPALME SOLDADO CON SOLVENTE

Se puede utilizar un tubo de PVC blando o rígido. Las extremidades del tubo deben estar limpias y exentas de rebaba, producida durante el corte. Asegurarse de utilizar adhesivo apropiado para el tipo de tubo utilizado. Los adhesivos que se recomiendan a continuación son a título de ejemplo; no limitarse a esas marcas:

Empalme PVC-PVC

Uni-Weld Pool-Tite 2000
Suregard Flex 20
IPS Weld-On 705

Empalme PVC-ABS

Uni-Weld Pool-Tite 2000
Suregard Weld-All No. 5
IPS Weld-OM 794

Observación: La utilización de un pegamento fortalece el agarre de los empalmes. El adhesivo Suregard P3000 viene con un trazador color púrpura autorizado donde la normativa vigente exige la utilización de un adhesivo.

Atención: Tener en cuenta las condiciones climáticas durante la aplicación de adhesivos. Algunas condiciones atmosféricas, como por ejemplo, una muy alta humedad, pueden atenuar la eficacia de algunos adhesivos. Seguir las instrucciones del fabricante.

EMPALMES ROSCADOS

Utilizar sólo cinta de teflón o su equivalente para los empalmes roscados. Los selladores para juntas pueden dañar las uniones roscadas. No se recomienda la utilización de productos a base de silicona o petróleo. NO AJUSTAR EXCESIVAMENTE: AJUSTAR A MANO Y LUEGO UNA MEDIA VUELTA SON SUFICIENTES.

TUBERÍA DE LA BOMBA

El diámetro del tubo de succión debe ser igual o superior al del tubo de descarga. Evitar utilizar un tubo de succión cuyo diámetro sea menor que el del empalme de la bomba. Los tubos deben ser lo más derechos y cortos posible, y de dimensiones apropiadas. Evitar instalar un codo directamente a la entrada de la bomba (instalar un tramo extra de tubo recto para permitir un correcto ingreso de agua). Los alargues horizontales de los tubos deben estar inclinados ligeramente hacia arriba en dirección a la bomba para evitar la formación de bolsas de aire. Preveer un dispositivo de soporte independiente para los tubos de modo que no ejerzan ninguna presión contra la bomba. Mantener la mayor parte posible del tubo de succión por debajo del nivel del agua para reducir el tiempo de cebado. Instale válvulas y empalmes en los tubos de succión y retorno para facilitar su mantenimiento.

Se recomienda la instalación de válvulas para controlar la descarga de la bomba por estrangulamiento. Las válvulas son esenciales para el mantenimiento del artefacto si el sistema se encuentra instalado por debajo del nivel del suelo. Las válvulas de succión permiten el cebado de todas las bombas sin filtro instaladas por debajo del nivel del agua. Las bombas con filtro poseen auto cebado. Mantener la válvula del tubo de succión completamente abierto durante el funcionamiento.

ELECTRICIDAD

Ver la placa de identificación del motor para conocer los datos de mantenimiento eléctrico. Todos los motores deben estar protegidos por un asilante o disyuntor. Asegurarse de que el grosor de los cables sean los convenientes tanto para la potencia de la bomba como para la distancia respecto de la fuente eléctrica. Deberá ser un electricista calificado quien realice el cableado conformemente a las normas vigentes. Para una seguridad óptima, se recomienda la instalación de un disyuntor tripolar. Para todas las bombas que como un motor de 3 fases y la indicación «NOT», o «No Overload Thermostats» de sobrecarga en su placa de datos, arrancadores magnéticos de línea con relés de sobrecarga deberá ser proporcionado a la instalación

ENCENDIDO DE LA BOMBA

No encender la bomba antes del cebado, ya que el agua enfría y lubrica la junta. En el caso de las bombas sin filtro instaladas por debajo del nivel del agua, cerrar la válvula del tubo de succión y llenar la bomba de agua para el cebado. En el caso de las bombas con filtro e instaladas por sobre el nivel del agua, cebar la bomba retirando la tapa del filto y llenando de agua la caja del mismo. Las bombas instaladas por debajo del nivel del agua son de autocebado siempre que toda la tubería se encuentre también por debajo del nivel del agua. Una vez cebada la bomba, encender el motor y abrir todos las válvulas de los tubos de succión y descarga. Esto puede llevar un poco de tiempo antes de que la bomba elimine el aire del tubo de succión. Si luego de 5 minutos, no hay flujo de agua alguno, detener el motor y cebar la bomba nuevamente. Si la bomba no se pone en funcionamiento, verificar la existencia de infiltraciones de aire. Dirigirse a la sección Localización de errores. Luego de aproximadamente 10 minutos de funcionamiento, verificar si hay burbujas a la altura de los racores del tubo de descarga. La presencia constante de burbujas es signo de infiltración de aire en el tubo de succión. Localizar inmediatamente esas infiltraciones y corregirlas.

CONTROL DE CAUDAL DEL FLUJO

Mantener el clapet del tubo de succión completamente abierto durante el funcionamiento de la bomba. En caso de querer controlar el caudal del flujo,

instalar un clapet en el tubo de retorno. **Atención:** No ajustar el anillo de bloqueo Ring-Lok™ con la bomba en funcionamiento. **Atención:** No encender la bomba si los clapets del tubo de succión o de retorno están cerrados.

HIVERNACION

En caso de vivir en zona de heladas, consultar con el distribuidor por consejos sobre hibernación del equipo, ya que, al conocer el equipo a la perfección, representa la mejor fuente de información. Seguir las recomendaciones y, si se requiere vaciar el filtro, proceder de la manera siguiente (si el sistema no posee filtro, saltar directamente al segundo paso):

- Para filtro de arena: Colocar el filtro en modo BACKWASH (lavado a contracorriente) durante 3 a 5 minutos; luego, regular la perilla en WINTERIZE [hibernación].
- Vaciar el sistema desatornillando las tapas de vaciado (el vaciado se realiza sin tener que quitar las tapas por completo) y/o quitando las tapas de los tubos.

COMPOSICION QUÍMICA DEL AGUA

Se requiere utilizar con regularidad productos químicos apropiados para que el agua se conserve limpia e higiénica, impedir la propagación de gérmenes y controlar el crecimiento de algas que puedan afectar la apariencia del spa o piscina. El cloro es el producto químico que más frecuentemente se utiliza para mantener el agua limpia e higiénica. Se puede utilizar cloro líquido o granulado (hipoclorito de sodio o de calcio). Agregarlo todos los días ya que la suciedad, los gérmenes, los rayos del sol o el viento lo disipan. Asimismo, es importante conservar un nivel apropiado de acidez o de alcalinidad del agua de la piscina. Se trata del pH de la piscina: un pH de 7,0 es neutro. Si el pH es superior a 7,0, se dice que el agua es alcalina, mientras que inferior a 7,0, se dice que el agua es ácida. El pH que se recomienda debe estar comprendido entre 7,2 y 7,4.

MANTENIMIENTO DE LA BOMBA

- Los motores se autolubrican – no necesitan ningún tipo de lubricación.
- Limpiar el filtro, en caso de poseer uno.
- Inspeccionar visualmente el motor y verificar si las bocas de aire del mismo están obstruidas. Quitar los restos una vez activado el disyuntor. 4) Las juntas de los ejes pueden gastarse y, en caso de identificar una fuga, reemplazarlos.

LIMPIEZA DEL FILTRO

Cortar la corriente. Cerrar los clapets de los tubos de succión y retorno. Desajustar el anillo de bloqueo Ring-Lock™ girándolo en sentido contrario a las agujas del reloj. Luego, quitar la tapa del filtro, quitar el filtro, limpiarlo y volver a colocarlo en su lugar, asegurándose de colocarlo correctamente. Limpiar la junta tórica y, en caso de ser necesario, lubricarla con aceite a base de petróleo. Limpiar la nervadura de la junta torica en la tapa y el borde de la caja del filtro. Volver a colocar en su lugar la tapa y el anillo de bloqueo Ring-Lock™ ajustándolo a mano solamente. Luego, abrir las válvulas. Encender la bomba. **Atención:** No ajustar nuevamente el anillo Ring-Lock™ durante el funcionamiento de la bomba.

SERVICIOS Y PIEZAS DE REPUESTO

Contacte a su vendedor local autorizado para todos los servicios, pues sus conocimientos profundos del equipo serán una mejor fuente de información para usted. Datos de la placa descriptiva del equipo y descripción de la pieza.

EL MOTOR NO ENCIENDE: Disyuntor activado o fusibles quemados; recalentamiento del arrollamiento del motor; interruptor de encendido defectuoso dentro del motor o cableado defectuoso.

EL MOTOR NO ALCANZA SU MAXIMA POTENCIA: Baja tensión; eje bloqueado o fricción de la turbina.

RECALENTAMIENTO DEL MOTOR (el dispositivo limitador de recalentamiento no se activa): Baja tensión; ventilación inadecuada.

LA BOMBA PROVEE UN CAUDAL O UNA PRESION DE AGUA DÉBILES: Bomba sin cebar; infiltración de aire en el sistema de succión; turbina bloqueada; clapet de tubo de succión o de retorno parcialmente cerrado; tubo de succión o de retorno parcialmente obstruido o demasiado pequeño; obstrucción del cesto colador o del filtro; filtro atascado.

FUERTE PRESION DE LA BOMBA: Válvula de vaciado o empalme de entrada demasiado cerrados, tubería de retorno demasiado pequeña, filtro atascado.

BOMBA Y MOTOR RUIDOSOS: Obstrucción del cesto colador o del filtro de la bomba; obstrucción del cesto colador o del filtro de la bomba; cojinetes del motor defectuosos; clapet del tubo de succión parcialmente cerrado o tubo parcialmente obstruido; manguera del succionador obstruida o demasiado pequeña; tubo ejerciendo presión sobre el chasis de la bomba; fricción de la turbina contra el chasis de la bomba.

FUGA DE AGUA EN EL EJE: Reemplazar juntas del eje.

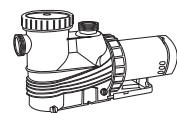
BURBUJAS EN LOS RACORES DE ENTRADA: Infiltración de aire en el tubo de succión o en el filtro; restricción en el tubo de succión; bajo nivel de agua en la piscina.



BOMBAS MAGNUM FORCE A VELOCIDAD VARIABLE

Manual del usuario

GUARDE ESTAS INSTRUCCIONES



BOMBA MAGNUM

Antes de comenzar la instalación, lea atentamente todas las instrucciones y advertencias. Para las instrucciones de funcionamiento y especificaciones adicionales, vea la placa de identificación del producto.

VERIFICACIÓN

Verifique el material a su recepción. Contacte el distribuidor o el transportista en caso de falta o rotura de alguna pieza. Verifique si el formato y el modelo corresponden a los especificados.

CONSIGNAS DE SEGURIDAD IMPORTANTES

Durante la instalación y utilización de este artefacto eléctrico, se deberán observar las medidas de seguridad de base, especialmente las siguientes:



RIESGO DE APRISIONAMIENTO POR SUCCION QUE PUEDE CAUSAR HERIDAS GRAVES O MORTALES.

La bomba puede crear una fuerte succión rápidamente y generar un riesgo de aprisionamiento si se encuentra mal conectada a los orificios de succión. Una persona puede sufrir desmembramiento, atascamiento o puede ahogarse si una parte de su cuerpo o sus cabellos toman contacto con los orificios de succión o con tapas de toma de fondo mal colocadas, faltantes, fisuradas o dañadas. **Para reducir el riesgo al máximo, las bombas y las conexiones deben instalarse según a la versión más reciente de las normas NSPI o IAF, así como también a las directivas de la CPSC y a los códigos nacionales, provinciales y locales vigentes.** A continuación, algunas de dichas exigencias. Siempre consulte el último reglamento para asegurarse de que su instalación siga los requerimientos exigidos para reducir al máximo los riesgos de aprisionamiento por succión.

1. Todas las tapas de orificio de succión sumergidas en su totalidad deben estar homologadas por la norma A112.19.8 del ANSI/ASME.

2. No utilice una bomba en una instalación donde haya sólo un orificio de succión sumergido por completo.

3. Si la piscina posee toma de fondo, habrá que prever dos como mínimo para cada sistema de bombeo, y cada toma deberá contar con una tapa de orificio de succión homologada. Exigencias adicionales pueden aplicarse a chapoteadores a fin de reducir al máximo los riesgos de aprisionamiento.

4. Las espumaderas o skimmers deben proveer el 100% del régimen del flujo necesario para la bomba y deberán instalarse al aire libre. La espumadera o skimmers no se considera una segunda toma de fondo.

5. Si la piscina se encuentra equipada con dos orificios de succión, el flujo máximo del sistema nunca deberá ser superior a la capacidad nominal de una de las tapas homologadas instaladas sobre los orificios de succión. De haber más de dos orificios de succión, la suma de las capacidades nominales deberá ser por lo menos igual al doble del flujo máximo del sistema.

6. Deberá preverse una separación de por lo menos 0,9m (3 pi) entre cada tapa de orificio de succión, medida que se tomará a partir del centro de las tuberías de succión.

7. No instale clapets de retención. Si fuesen necesarios, asegurarse de que su instalación respete las normas exigidas.

8. Nunca utilice un spa o piscina cuya tapa de orificio de succión se encuentra dañada, fisurada, faltante o mal instalada. La tapa de orificio de succión deberá atornillarse con tornillos de acero inoxidable, provistos con la tapa. Si ésta no presentase tornillos, solicite piezas de recambio a su proveedor.

OBSERVACIÓN: Para obtener la versión más reciente de las normas NSPI o IAF, comuníquese con la Association of Pool and Spa Professionals (APSP) a través del sitio www.theapsp.org o al número 703-838-0083, interno 301. Para obtener la versión más reciente de las directivas de la Consumer Product Safety Comisión (CPSC), comuníquese con dicha comisión a través del sitio www.cpsc.gov o al número 301-504-7923. Consulta libre del documento "Guidelines for Entrapment Hazards: Making Pools and Spas Safer" en la dirección www.cpsc.gov/cpscpub/pubs/363.pdf.



¡ATENCIÓN! Para reducir los riesgos de heridas, no permita que los niños utilicen este producto, a excepción de mantenerlos bajo una estricta y constante vigilancia.



¡ATENCIÓN! (Para artefactos con ficha y cable eléctrico). Riesgo de descarga eléctrica. Únicamente conecte la ficha a un toma corriente tripolar y protegido por un disyuntor tripolar. De no estar seguro de que el toma corriente esté protegido por este tipo de disyuntor, haga llamado a un electricista calificado.



¡ATENCIÓN! (Para artefactos con ficha y cable eléctrico). No enterrar el cable bajo tierra. Instale el cable eléctrico de manera tal que los daños que puedan causarles las cortadoras de césped, podadoras y otros equipos sean mínimos.



¡ATENCIÓN! (Para artefactos con ficha y cable eléctrico). Para reducir los riesgos de descarga eléctrica, reemplace inmediatamente el cable en caso de encontrarse dañado.



¡ATENCIÓN! (Para bombas de spa y piscina termal). No instale el artefacto dentro de un recinto externo ni debajo del spa o piscina termal, salvo indicación contraria al respecto.



¡ATENCIÓN! (Para artefactos con ficha y cable eléctrico). Para reducir los riesgos de descarga eléctrica, no utilice una extensión eléctrica para conectar el artefacto al toma corriente; preferentemente instale un toma corriente en un sitio apropiado.



¡ATENCIÓN! Instale la bomba por lo menos a 1,50mts. (5 pi) de la piscina para evitar que los niños la utilicen como acceso a la piscina (consultar la norma ANSI/NSPI-8 1996 intitulada "Model Barrier Code for Residential Swimming Pools, Spas and Hot Tubs").



¡ATENCIÓN! (Para bombas de piscina para uso con piscinas permanentes o spas), esta bomba es para el uso con piscinas permanentemente instaladas y también puede ser usado con bañeras de hidromasaje y spas, si tan marcada. No utilizar con piscinas desmontables. Una piscina instalada permanentemente está construida en o sobre el suelo o en un edificio de tal manera que no puede ser fácilmente disassembled para el almacenamiento. Una piscina almacenable está construida de modo que es capaz de ser fácilmente diassembled para el almacenamiento y vuelto a montar a su integridad original.



¡ATENCIÓN! (Para todas las unidades instaladas de forma permanente, destinados para su uso en 15 ó 20 amperios, 125 voltios, a través de 240 circuitos derivados individuales de fase) La unidad debe estar conectada únicamente a un circuito de alimentación que está protegida por un campo de circuito por falla a tierra (GFCI). GFCI que deberá ser proporcionada por el instalador y deben ser probados de manera rutinaria. Para probar el GFCI, presione el botón de prueba. El GFCI debe interrumpir el suministro eléctrico. Presione el botón de reinicio. Poder debe ser restaurado. Si la IMC deja de funcionar de esta manera, el GFCI está defectuoso. Si el poder GFCI interrumpe a la bomba sin el botón de prueba siendo empujado, una corriente a tierra, lo que indica la posibilidad de una descarga eléctrica. No use esta bomba. Desconecte la bomba y corrija el problema por un representante de servicio calificado antes de usar.

UBICACIÓN DE LA INSTALACIÓN

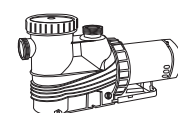
Instale la bomba lo más cerca posible del spa o piscina, pero conservando un mínimo de 1,50mts. (ver advertencia dada más arriba). Preferir instalarla en un lugar seco y bien aireado, protegiéndola de los rayos del sol y en una superficie dura y de nivel. Tener en cuenta los siguientes aspectos: drenaje del agua lejos de la bomba, ventilación del motor de la bomba, fácil acceso a mantenimiento e hibernación, y protección contra intemperies. Las bombas sin filtro no poseen cebado automático y están concebidas para una succión sumergida (todos los empalmes y tuberías de succión se encuentran instalados por debajo del nivel del agua). Por tanto, este tipo de bomba se debe instalar a una altura por debajo del nivel del agua cuando el spa o la piscina estén llenos; sin embargo, si el tubo de succión presenta válvulas, la bomba puede instalarse por sobre el nivel del agua ya que es posible cerrar las válvulas para el cebado. Reducir al mínimo la distancia vertical en caso de decidir instalar la bomba por sobre el nivel del agua. Los artefactos con filtro son de autocebado, pero deben estar lo más cerca posible del nivel del agua, o por debajo del nivel del agua, para facilitar el cebado.



POMPES MAGNUM FORCE À VITESSE VARIABLE

Manuel du propriétaire

GARDER CES INSTRUCTIONS



SÉRIES MAGNUM

Avant d'entreprendre l'installation, veuillez lire attentivement toutes les directives et mises en garde. Pour des directives de fonctionnement et des spécifications supplémentaires, reportez-vous à la plaque signalétique du produit

INSPECTION

Examinez l'équipement dès la réception. Avisez votre détaillant ou le transporteur si des pièces sont manquantes ou endommagées. Vérifiez si le format et le modèle sont ceux spécifiés.

CONSIGNES DE SÉCURITÉ IMPORTANTES

Lors de l'installation et de l'utilisation de cet appareil électrique, il faut toujours observer les mesures de sécurité de base, notamment les suivantes :



RISQUE DE COINCÈMENT PAR ASPIRATION QUI PEUT CAUSER DES BLESSURES GRAVES OU MORTELLES.

Les pompes peuvent créer rapidement une aspiration forte, ce qui entraîne un risque de piégeage si elles sont mal raccordées aux sorties de vidange à aspiration. Il est possible d'être éventré, d'être piégé ou de se noyer lorsque des parties du corps ou les cheveux entrent en contact avec des couvertures de conduite de drainage ou des sorties de vidange à aspiration endommagées, fendues, manquantes ou mal fixées. **Afin de minimiser ce risque, les pompes et les raccords seront installés conformément aux normes NSPI ou IAF, aux directives de la CPSC ainsi qu'aux codes nationaux, étatiques, provinciaux et locaux les plus récents.** Voici quelques-unes de ces exigences. Consultez toujours les règlements les plus récents afin de vous assurer que votre installation respecte les exigences nécessaires pour minimiser le risque de piégeage causé par l'aspiration.

1. Tous les couvercles d'orifice d'aspiration entièrement immergés doivent être homologués par la norme A112.19.8 de l'ANSI/ASME.

2. N'utilisez pas une pompe dans une installation où il n'y a qu'un seul orifice d'aspiration entièrement immergé.

3. Si votre piscine est dotée de drains de fond, il faut en prévoir au moins deux pour chaque système de pompage, et chaque drain doit être doté d'un couvercle d'orifice d'aspiration homologué. Des exigences supplémentaires peuvent s'appliquer aux pataugeoires afin de réduire au minimum les risques de coincement.

4. Les écumoires doivent fournir 100 % du débit requis à la pompe et doivent être mises à l'air libre. L'écumoire n'est pas considérée comme un deuxième drain de fond.

5. Lorsque la piscine est munie de deux orifices d'aspiration, le débit maximum du système ne doit pas être supérieur à la capacité nominale de l'un des couvercles homologués installés sur les orifices d'aspiration. Lorsqu'il y a plus de deux orifices d'aspiration, la somme des capacités nominales doit être au moins égale au double du débit maximum du système.

6. Il faut prévoir un écart d'au moins 0,9 m (3 pi) entre chaque couvercle d'orifice d'aspiration, mesuré à partir du centre des tuyaux d'aspiration.

7. N'installez pas de clapet de non-retour. Si de tels clapets sont nécessaires, assurez-vous que leur installation est conforme aux normes applicables.

8. N'utilisez jamais une piscine ou un spa possédant un couvercle d'orifice d'aspiration endommagé, fissuré, manquant ou mal fixé. Le couvercle d'orifice d'aspiration doit être fixé à l'aide des vis en acier inoxydable fournies avec le couvercle. S'il manque des vis, commandez des pièces de rechange auprès de votre fournisseur.

REMARQUE: Pour obtenir la version la plus récente des normes NSPI ou IAF, communiquez avec l'Association of Pool and Spa Professionals (APSP) à l'adresse www.theapsp.org ou au numéro 703-838-0083, poste 301. Pour obtenir la version la plus récente des lignes directrices de la Consumer Product Safety Commission (CPSC), communiquez avec la CPSC à l'adresse www.cpsc.gov ou au numéro 301-504-7923. Vous pouvez consulter le document «Guidelines for Entrapment Hazards: Making Pools and Spas Safer» à l'adresse www.cpsc.gov/cpscpub/pubs/363.pdf.



Pour réduire les risques de blessures, empêchez les enfants d'utiliser ce produit, sauf s'ils font l'objet d'une étroite surveillance en tout-temps.



ATTENTION! (Pour les appareils dotés d'une fiche et d'un cordon d'alimentation électrique). **Risque de choc électrique.** Branchez la fiche uniquement dans une prise de courant mise à la terre et protégée par un disjoncteur de fuite de terre. Si vous n'êtes pas certain que la prise de courant est protégée par un tel disjoncteur, communiquez avec un électricien qualifié.



ATTENTION! (Pour les appareils dotés d'une fiche et d'un cordon d'alimentation électrique). **N'enfouissez pas le cordon dans la terre.** Installez le cordon d'alimentation de manière à réduire au minimum les dommages causés par les tondeuses, les taille-haies et autres pièces d'équipement.



ATTENTION! (Pour les appareils dotés d'une fiche et d'un cordon d'alimentation électrique). Pour réduire les risques de choc électrique, remplacez immédiatement le cordon s'il est endommagé.



ATTENTION! (Pour les pompes de cuves thermales et de spas). N'installez pas l'appareil à l'intérieur d'une enceinte externe ou sous la cuve thermal ou le spa, à moins d'indication contraire à cet effet.



ATTENTION! (Pour les appareils dotés d'une fiche et d'un cordon d'alimentation électrique). Pour réduire les risques de choc électrique, **n'utilisez pas de rallonge électrique** pour raccorder l'appareil à l'alimentation électrique; installez plutôt une prise de courant à un endroit approprié.



ATTENTION! Installez la pompe à au moins 1,5 m (5 pi) de la piscine afin d'éviter que de jeunes enfants y montent pour accéder à la piscine. (Reportez-vous à la norme ANSI/NSPI-8 1996 intitulée «Model Barrier Code for Residential Swimming Pools, Spas and Hot Tubs».)



ATTENTION! Pour Pompes pour piscines destinées à être utilisées avec des piscines ou de spas permanents) cette pompe est pour une utilisation avec des piscines permanente et peut également être utilisée avec des cuves thermales et de spas si marquée. ne pas utiliser avec des piscines démontables. Une piscine permanente est une piscine installé dans ou sur le sol ou dans un bâtiment de telle sorte qu'il ne peut pas être facilement démonté pour le stockage. Une piscine démontable est construit de telle sorte qu'il est capable d'être aisément désassemblé pour le stockage et remonté à l'état neuf



ATTENTION! (Pour toutes les unités installés de façon permanente destinés à être utilisés sur 15 ou 20 ampères, 125 à 240 volts, simples phase) L'unité doit être connecté uniquement à un circuit d'alimentation protégé par un disjoncteur de circuit différentiel(GFCI) . GFCI doit être posé par l'installateur et doit être testé sur une base régulière. Pour tester le disjoncteur, appuyez sur le bouton de test. Le GFCI doit interrompre l'alimentation. Appuyez sur le bouton de réinitialisation. le courant devrait être rétabli. Si le GFCI ne parvient pas à fonctionner de cette manière, le disjoncteur est défectueux. Si la GFCI interromp la puissance à la pompe sans que le bouton de test ne soit poussé, un courant de terre circule, indiquant la possibilité d'un choc électrique. Ne pas utiliser cette pompe. Débrancher la pompe et faire corriger le problème par un technicien qualifié avant d'utiliser...

EMPLACEMENT DE L'INSTALLATION

Installez la pompe le plus près possible de la piscine ou du spa, mais à au moins 1,5 m (5 pi) (voir la mise en garde ci-dessus). De préférence, installez la pompe à un endroit sec et bien aéré, à l'abri des rayons directs du soleil. Installez-la sur une surface dure et de niveau. Tenez compte des aspects suivants : le drainage de l'eau loin de la pompe, la ventilation du moteur de la pompe, l'accès pour l'entretien et l'hivernage, et la protection contre les intempéries. Les pompes qui ne sont pas dotées d'une crépine sont conçues pour une aspiration submergée (tous les raccords et les tuyaux d'aspiration se trouvent au-dessous du niveau de l'eau), et le réamorçage ne s'effectue pas de façon automatique. Par conséquent, ce type de pompe doit être installé à une hauteur se trouvant au-dessous du niveau de l'eau lorsque la piscine ou le spa seront remplis; cependant, si des vannes sont installées sur le tuyau d'aspiration, la pompe peut être installée au-dessus du niveau de l'eau puisqu'il est possible de les fermer pour l'amorçage. Réduisez au minimum la distance verticale si vous décidez d'installer la pompe au-dessus du niveau de l'eau. Les pompes dotées d'une crépine s'amorcent automatiquement, mais elles doivent être le plus près possible du niveau de l'eau, ou au-dessous du niveau de l'eau, pour faciliter l'amorçage.

PLOMBERIE

RACCORDS SOUDÉS AU SOLVANT

Vous pouvez utiliser un tuyau en PVC souple ou rigide. Les extrémités du tuyau doivent être propres et exemptes de toute bavure produite lors de la coupe. Assurez-vous d'utiliser l'adhésif approprié au type de tuyau utilisé. Les adhésifs recommandés ci-dessous ne sont donnés qu'à titre d'exemple seulement; ne vous limitez pas à ces marques :

Raccord PVC-PVC	Raccord PVC-ABS
Uni-Weld Pool-Tite 2000	Uni-Weld Pool-Tite 2000
Suregard Flex 20	Suregard Weld-All No. 5
IPS Weld-On 705	IPS Weld-OM 794

Remarque: L'utilisation d'un apprêt assure une meilleure adhérence des raccords. L'apprêt Suregard P-3000 contient un traceur pourpre admissible dans les régions où les codes en vigueur exigent l'utilisation d'un apprêt.

Mise en garde: Tenez compte des conditions climatiques lors de l'application d'adhésifs. Certaines conditions atmosphériques, par exemple une forte humidité, peuvent atténuer l'efficacité de certains adhésifs. Vérifiez les directives du fabricant.

RACCORDS FILETÉS

Utilisez uniquement du ruban de Téflon ou l'équivalent pour les raccordements de plomberie filetés. Les mastics pour joints peuvent endommager les filets. Nous ne recommandons pas l'utilisation de produits à base de silicone ou de pétrole. **NE SERREZ PAS DE FAÇON EXCESSIVE : LE SERRAGE À LA MAIN PLUS UN DEMI-TOUR EST SUFFISANT.**

PLOMBERIE DE LA POMPE

Le diamètre du tuyau d'aspiration doit être égal ou supérieur à celui du tuyau de vidange. Évitez d'utiliser un tuyau d'aspiration dont le diamètre est plus petit que celui du raccord de la pompe. Les tuyaux doivent être le plus droit et le plus court possible, et de dimensions appropriées. Évitez d'installer un coude directement à l'entrée de la pompe (installez une longueur de tuyau droit pour permettre à l'eau d'entrer correctement). Les longueurs horizontales de tuyau doivent être légèrement inclinées vers le haut en direction de la pompe afin d'éviter la formation de poches d'air. Prévoyez un dispositif de support indépendant pour les tuyaux afin qu'ils n'exercent aucune contrainte sur la pompe. Gardez la plus grande section possible du tuyau d'aspiration sous le niveau de l'eau afin de réduire le délai d'amorçage. Installez des clapets et des raccords-unions sur les tuyaux d'aspiration et de retour pour faciliter l'entretien.

L'installation de clapets est recommandée afin de contrôler par étranglement le refoulement de la pompe. Ces clapets sont essentiels à l'entretien de la pompe si le système est installé sous le niveau de la terrasse. Les clapets d'aspiration permettent l'amorçage de toutes les pompes sans crépine installées au-dessus du niveau de l'eau. Les pompes dotées d'une crépine s'amorcent automatiquement. Gardez le clapet du tuyau d'aspiration complètement ouvert pendant le fonctionnement.

ÉLECTRICITÉ

Reportez-vous à la plaque signalétique du moteur pour connaître les données d'entretien électriques. Tous les moteurs doivent être protégés au moyen d'un sectionneur à fusibles ou d'un disjoncteur. Assurez-vous que la grosseur des fils convient à la puissance de la pompe et à la distance par rapport à la source d'alimentation. Le câblage doit être effectué par un électricien compétent, conformément aux codes applicables. Pour une sécurité optimale, nous recommandons l'installation d'un disjoncteur de fuite de terre. Pour toutes les pompes qui ont un moteur 3 phase et l'indication «NOT» ou «NO OVERLOAD THERMOSTATS» sa plaque signalétique, un démarreurs magnétiques avec relais de surcharge doit être fourni lors de l'installation

MISE EN MARCHÉ DE LA POMPE

Ne faites pas fonctionner la pompe avant de l'amorcer, car l'eau refroidit et lubrifie le joint d'étanchéité. Dans le cas des pompes sans crépine installées au-dessus du niveau de l'eau, fermez le clapet du tuyau d'aspiration et remplissez la pompe d'eau pour l'amorcer. Dans le cas des pompes dotées d'une crépine et installées au-dessus du niveau de l'eau, amorcez la pompe en retirant le couvercle de la crépine et en remplissant d'eau le boîtier de la crépine. Les pompes installées au-dessous du niveau de l'eau s'amorcent automatiquement si tous les tuyaux se trouvent également sous le niveau de l'eau. Lorsque la pompe a été amorcée, mettez le moteur en marche et ouvrez tous les clapets du tuyau d'aspiration et de vidange. Cela peut prendre un certain temps avant que la pompe élimine l'air du tuyau d'aspiration. S'il n'y a aucun débit d'eau après 5 minutes, arrêtez le moteur et amorcez à nouveau la pompe. Si la pompe ne se met pas en marche, vérifiez s'il y a des infiltrations d'air. Reportez-vous à la section Dépannage. Après environ 10 minutes de fonctionnement, vérifiez s'il y a des bulles d'air au niveau des raccords du tuyau de retour. La présence continue de bulles d'air dans le débit est le signe d'une infiltration d'air dans le tuyau d'aspiration. Localisez immédiatement ces infiltrations et corrigez-les.

CONTRÔLE DU DÉBIT

Gardez le clapet du tuyau d'aspiration complètement ouvert pendant le fonctionnement de la pompe. Si vous désirez contrôler le débit, installez un clapet sur le tuyau de retour.

Attention : Ne resserrez pas l'anneau de blocage Ring-Lok^{MC} pendant le fonctionnement de la pompe
Attention : Ne faites pas fonctionner la pompe lorsque les clapets du tuyau d'aspiration ou de vidange sont fermés.

HIVERNAGE

Consultez votre détaillant pour obtenir des conseils sur l'hivernage de votre équipement si vous habitez dans une zone de gel. Comme il connaît à fond votre équipement, il représente la meilleure source de renseignements. Suivez ses recommandations, et s'il vous demande de vidanger votre filtre, procédez de la façon suivante : (si votre système ne comporte pas de filtre, passez à la deuxième étape)

A. Pour le filtre à sable : Placez le filtre au mode BACKWASH (Lavage à contre-courant) pendant 3 à 5 minutes, puis réglez la manette à WINTERIZE (Hivernage).

B. Vidangez le système en dévissant les bouchons de vidange (la vidange s'effectue sans que vous ayez à enlever complètement les bouchons) et(ou) en enlevant les capuchons des tuyaux.

COMPOSITION CHIMIQUE DE L'EAU

Il faut utiliser régulièrement les produits chimiques appropriés pour que l'eau demeure propre et hygiénique, pour empêcher la propagation des germes et pour contrôler la croissance des algues qui peuvent affecter l'apparence de votre piscine ou de votre spa. Le chlore est le produit chimique le plus couramment employé pour garder l'eau propre et hygiénique. Vous pouvez utiliser du chlore liquide ou en granules (hypochlorite de sodium ou de calcium). Ajoutez-en tous les jours car il se dissipe à cause de la saleté, des germes, des rayons du soleil et du vent. Il est important également de maintenir un niveau approprié d'acidité ou d'alcalinité de l'eau de la piscine. C'est le pH de votre piscine; un pH de 7,0 est neutre. Si le pH est supérieur à 7,0, l'eau est alcaline, tandis qu'à un pH inférieur à 7,0, l'eau est acide. Le pH recommandé varie entre 7,2 et 7,4.

ENTRETIEN DE LA POMPE

1) Les moteurs sont autolubrifiés – ils n'exigent aucune lubrification.
2) Nettoyez la crépine si votre pompe en possède une.
3) Inspectez visuellement le moteur et vérifiez si les prises d'air du moteur sont obstruées. Enlevez les débris après avoir déclenché le disjoncteur.
4) Les garnitures d'étanchéité des arbres peuvent s'user et doivent être remplacées si vous remarquez une fuite.

NETTOYAGE DE LA CRÉPINE

Coupez l'alimentation électrique. Fermez les clapets sur les tuyaux d'aspiration et de retour. Dévissez l'anneau de blocage Ring-LokTM en le tournant dans le sens antihoraire, puis enlevez le couvercle de la crépine. Sortez ensuite la crépine. Nettoyez-la et remettez-la en place. Assurez-vous de la remettre en place correctement. Nettoyez le joint torique et lubrifiez-le au besoin avec du lubrifiant à base de silicone. Nettoyez la rainure du joint torique dans le couvercle et le rebord du boîtier de la crépine. Remettez en place le couvercle et l'anneau de blocage Ring-Lok^{MC} en les serrant à la main seulement. Ouvrez ensuite les clapets. Remettez la pompe en marche.
Attention : Ne serrez pas à nouveau l'anneau Ring-Lok^{MC} pendant que la pompe fonctionne.

SERVICES ET PIÈCES DE RECHANGE

Faites appel à votre détaillant local pour tous les services car ses connaissances approfondies de votre équipement en font la meilleure source d'information pour vous. Commandez toutes les pièces de rechange chez votre détaillant. Donnez-lui les renseignements suivants quand vous commandez des pièces de rechange: Données de la plaque signalétique de l'équipement et description de la pièce.

DÉPANNAGE

LE MOTEUR NE SE MET PAS EN MARCHÉ Disjoncteur ouvert ou fusibles grillés; surchauffe des enroulements du moteur; interrupteur de mise en marche défectueux à l'intérieur du moteur ou câblage défectueux.

LE MOTEUR N'ATTEINT PAS SA PLEINE VITESSE: Faible tension; arbre coincé ou frottement de la turbine.

LE MOTEUR SURCHAUFFE (le limiteur de surchauffe se déclenche): Faible tension; ventilation inadéquate.

LA POMPE FOURNIT UN DÉBIT OU UNE PRESSION D'EAU FAIBLE: Pompe non amorcée; infiltration d'air dans le système d'aspiration; turbine bloquée; clapet du tuyau d'aspiration ou de vidange partiellement fermé; tuyau d'aspiration ou de vidange partiellement obstrué ou trop petit; obstruction du panier de l'écumoire ou de la crépine; filtre encrassé.

FORTE PRESSION DE LA POMPE: Clapet de vidange ou raccords d'entrée trop fermés; tuyaux de retour trop petits; filtre encrassé.

POMPE ET MOTEUR BRUYANTS: Obstruction du panier de l'écumoire ou de la crépine de pompe; coussinets du moteur défectueux; clapet du tuyau d'aspiration partiellement fermé ou tuyau partiellement obstrué; boyau de l'aspirateur obstrué ou trop petit; tuyau exerçant une contrainte sur le bâti de la pompe; frottement de la turbine contre le bâti de la pompe.

FUITE D'EAU AU NIVEAU DE L'ARBRE: Il faut remplacer la garniture d'étanchéité de l'arbre.

BULLES D'AIR AU NIVEAU DES RACCORDS D'ENTRÉE: Infiltration d'air dans le tuyau d'aspiration ou la crépine; restriction dans le tuyau d'aspiration; faible niveau d'eau dans la piscine.

		Pièces pour modèles Magnum, Magnum Plus, Magnum Force et Magnum Force 3 Vitesse d'amorçage minimum: 2600RPM Hauteur de levage: 10 pieds Temps d'amorçage max: 13min
FIG. No	PIÈCES No	DESCRIPTION
1	42-2828-06-R	Anneau de blocage Ring-Lok ^{MC}
2	39-2579-02-R	Couvercle de crépine
3	47-0358-03-R	Joint torique
4	16-1134-09-R	Crépine (12 po de haut) avec clapet
4a	16-1135-10-R	Clapet
5a	03-0906-02-R	Bâti Magnum Force avec bouchons et crépine, après 01/02/03
6	31-1746-00-R	Tube d'amorçage pour crépine
7	31-1609-06-R2	Bouchon de vidange avec joint torique (2 par sac)
	31-1609-06-R50	Bouchon de vidange avec joint torique (50 par sac)
10	12-1126-03-R	Socle de pompe pour modèle Magnum Force
10a	12-1124-05-R	Socle de moteur pour modèle Magnum Force
11	47-0232-54-R	Joint pour bague carrée
12	14-4206-08-R3	Vis en acier inox. à tête hex. n° 8 x 1 1/4 po (2 ou 3 requises) (3 par sac)
13	06-0010-02-R	Diffuseur
14	10-1462-07-R	Joint d'étanchéité, 1/2 –3 HP
	10-1463-14-R	Joint d'étanchéité, 4 et 5 HP
15	05-0384-01-R	Turbines
16	10-1502-09-R	Garniture d'étanchéité de l'arbre
17	47-0364-47-R	Joint torique de 6 3/4 po x 7 1/8 po
18	02-1392-03-R	Logement de joint d'étanchéité
19	14-1293-24-R4	Vis PL à tête hex. de 3/8 po – 6 x 7/8 po (4 par sac)
20	02-1368-02-R	Support du boîtier du moteur
21	42-2886-05-R	Anneau de blocage Ring-Lok ^{MC} de la pompe, avec cliquet
22	42-2867-08-R	Cliquet pour anneau de blocage Ring-Lok ^{MC}
23		Moteur (communiquez avec votre détaillant local)
24		Demi-trousse 2UN (comprend 2 de chaque) pour modèles fabriqués après 10/99
25	42-2345-06-R	Assemblage bâti/socle/crépine pour modèle Magnum Force : comprend les numéros 1, 2, 3, 4, 4a, 5, 6, 7,

LES ÉQUIPEMENTS DE PISCINES CARVIN INC. Garantie limitée

Les Équipements de piscines Carvin Inc. («Carvin») garantit que les produits de piscine «Carvin» sont exempts de tout défaut de fabrication et de main-d'œuvre pendant une période de **12** mois à compter de la date de l'achat. Les exceptions suivantes s'appliquent:

Ampoules: Les ampoules Aquarelle à DEL Full Moon sont garanties pendant 12 mois à compter de la date de l'achat; les ampoules halogènes sont garanties pendant 90 jours à compter de la date de l'achat.

Divers: Les cartouches filtrantes, les grilles pour terre diatomée, les produits de recirculation (white goods), les paniers protège-crépine, le clapet et le tube d'amorçage du panier protège-crépine, les manomètres, les joints d'étanchéité carrés, les joints toriques, les joints d'étanchéité et toutes les pièces de rechange sont garanties pendant 12 mois à compter de la date de l'achat.

CONDITIONS D'EXERCICE DE LA GARANTIE:

Afin que cette garantie de 12 mois entre en vigueur, les produits «Carvin» doivent être enregistrés auprès de «Carvin» par le biais de l'une des méthodes suivantes:

- en retournant par la poste la fiche de garantie;**
- en ligne, au www.carvin-pool.com.**

Toute défectuosité doit être dénoncée à Carvin, ou à son représentant local dans les 72 heures pour éviter le bris d'autres équipements, faute de quoi, la garantie ne sera pas honorée. Cette garantie est non transférable et ne s'applique qu'au premier acheteur au détail, et seulement pendant la période où le premier acheteur au détail occupe l'endroit où le produit a été installé initialement. L'obligation de garantie de «Carvin» concernant l'équipement que l'entreprise ne fabrique pas elle-même est limitée à la garantie offerte à «Carvin» par ses fournisseurs (i.e. moteurs).

Cette garantie ne s'applique qu'aux produits utilisés pour les piscines, les spas et l'aquaculture, et ne s'applique pas aux produits qui ont subi des modifications, un accident, une mauvaise utilisation, une utilisation négligente, une utilisation abusive, une installation incorrecte, des applications d'abrasifs, de la corrosion, une tension incorrecte, du vandalisme, des troubles publics ou une catastrophe naturelle (y compris, notamment, les dommages causés par le gel, la foudre, et tout autre dommage causé par des catastrophes naturelles). Les seules garanties autorisées par «Carvin» sont énoncées dans la présente section. «Carvin» n'autorise aucune autre personne à garantir ses produits, et l'entreprise n'assumera aucune responsabilité face à toute garantie non autorisée faite relativement à la vente de ses produits. «Carvin» ne sera pas tenue responsable de toute déclaration faite ou publiée, écrite ou verbale, qui serait trompeuse ou incompatible avec les faits publiés dans la documentation ou les spécifications fournies par «Carvin».

PROCÉDURE DE RÉCLAMATION EN VERTU DE LA GARANTIE

Les réclamations en vertu de la garantie seront faites en communiquant avec l'installateur/le vendeur, le constructeur, le revendeur ou le détaillant (point de vente) ou avec le distributeur «Carvin» de votre région. Tout équipement doit être inspecté par un représentant autorisé local de «Carvin» ou à l'usine avant l'autorisation de la garantie. Tous les frais ou toutes les dépenses d'expédition en partance de l'usine ou en direction de celle-ci, pour la désinstallation et la réinstallation des produits, ou pour l'installation d'un produit de remplacement, seront de la responsabilité de l'acheteur, sauf sur autorisation écrite de «Carvin». À sa discrétion, «Carvin» peut réparer ou remplacer sans frais (F.O.B. usine à Saint-hyacinthe, Québec, Canada) tout produit qui s'avère défectueux pendant la période de la garantie, ou elle peut émettre un crédit au montant de la facture de l'équipement défectueux au lieu de réparer ou de remplacer le produit. La société se réserve le droit de substituer de l'équipement nouveau ou amélioré lors de tout remplacement.