

Drainosaur® & Drainosaur Jr.®

APPLICATIONS

- Impractical drainage areas
- Under sinks
- Laundry trays



FEATURES

BASIN FEATURES

- 3.5 and 5 gallon size options
- Polypropylene, lightweight, corrosion resistant
- Designed with O-rings for water tight seal
- Cover includes removable filter for easy cleaning
- Cover includes 1 1/2" FNPT (38 mm) discharge and intake opening, and 2" FNPT (5 cm) vent opening
- IAPMO listed
- Pre-assembled, ready to install



PUMP FEATURES

- 1/6, 1/3, 4/10 hp options
- Multiple switch options
- cCSAus listed (pump only)

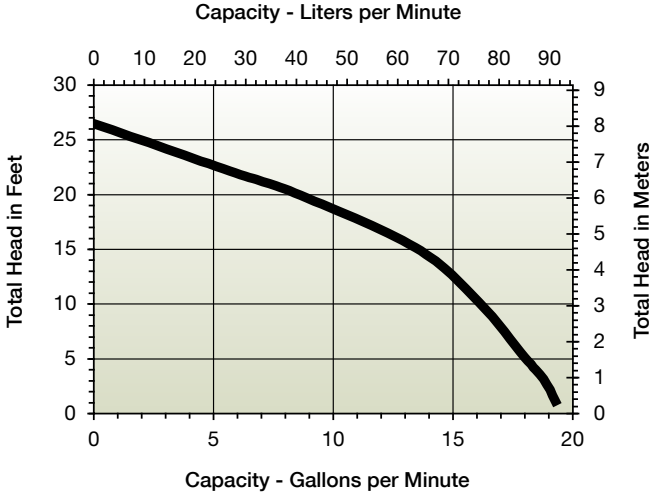
SERIES SPECIFICATIONS

HP	Volts	Hz	Amps		Watts	Performance (GPM @ Height in Feet)				Shut-Off (ft)	PSI
			FLA	Start		5'	10'	15'	20'		
1/6	115	60	5	6.4	380	15	12	8	-	21.00	9.1
1/3	115	60	9	14.3	720	46	29	13	-	18.00	7.8
1/3	230	50/60	4.5	6.3	720	46	29	13	-	18.00	7.8
4/10	115	60	9	17	920	80	63	54	40	29.00	9.1

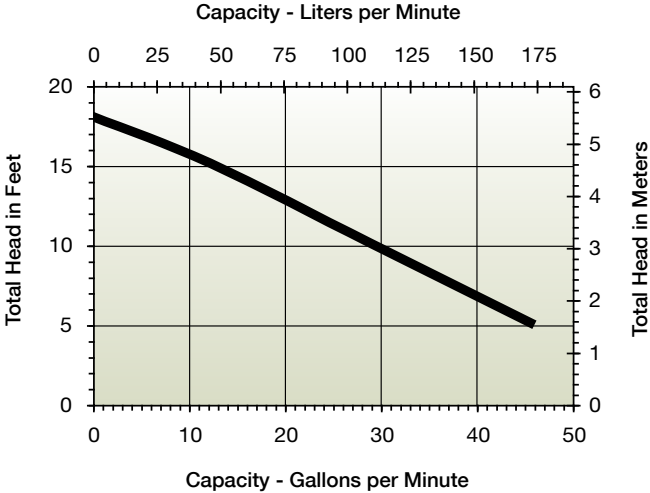
Item No.	Model	HP	Volts	Tank Size	Switch Type/Operation	On Level	Off Level	Cord	Weight
505055	WRS-5	1/6	115	5 Gallon	Piggyback Diaphragm	6" - 9" 15.2 cm - 23 cm	1" - 4" 2.5 cm - 10 cm	10' 3 m	19 lbs 8.62 Kg
506065	WRSC-6	1/3	115	3.5 Gallon	Integral Diaphragm	4" - 7" 10.2 cm - 17.8 cm	1" - 3" 2.5 cm - 7.6 cm	10' 3 m	24 lbs 10.89 Kg
506066	WRSC-6	1/3	230	3.5 Gallon	Piggyback Mechanical Float	4" - 7" 10.2 cm - 17.8 cm	1" - 3" 2.5 cm - 7.6 cm	10' 3 m	17.75 lbs 8.05 Kg
506055	WRS-6	1/3	115	5 Gallon	Integral Diaphragm	7" - 10" 17.8 cm - 25.4 cm	1" - 4" 2.5 cm - 10.2 cm	10' 3 m	26 lbs 11.79 Kg
506056	WRS-6	1/3	230	5 Gallon	Integral Diaphragm	7" - 10" 17.8 cm - 25.4 cm	1" - 4" 2.5 cm - 10.2 cm	10' 3 m	27 lbs 12.25 Kg
509268	WRS-9EN	4/10	115	5 Gallon	Piggyback Vertical Mechanical	7" - 10" 17.8 cm - 25.4 cm	2" - 5" 5 cm - 12.7 cm	10' 3 m	35 lbs 15.88 Kg

PERFORMANCE DATA

WRS-5

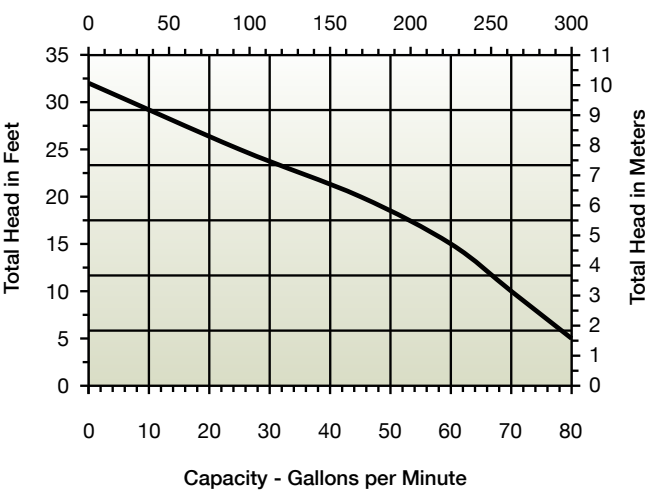


WRS-6 & WRSC-6

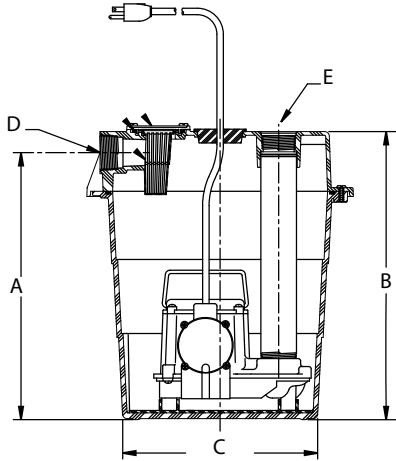


PERFORMANCE DATA

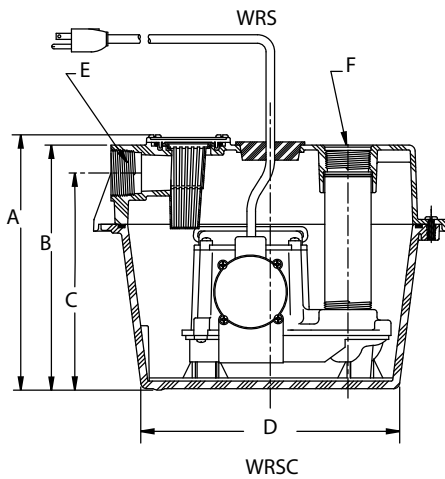
WRS-9EN



ENGINEERING DATA

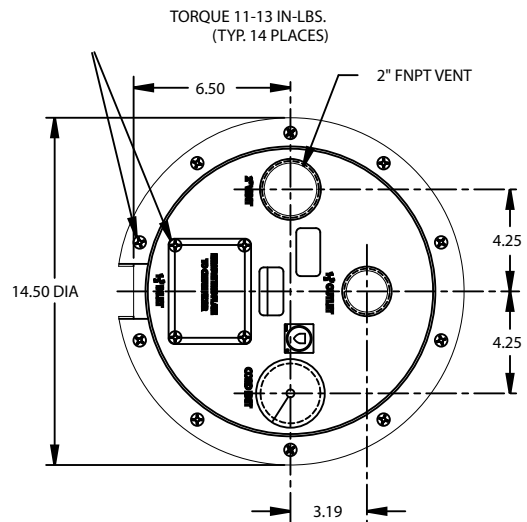
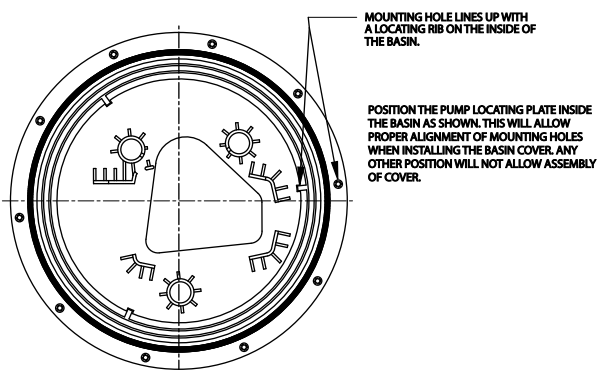


Model	A	B	C	D	E	F
WRS-5	14.75" 37.74 cm	15.68" 39.83 cm	10.63" 27 cm	1-1/2" FNPT 3.81 cm	1-1/2" FNPT 3.81 cm	-
WRS-6	14.75" 37.74 cm	15.68" 39.83 cm	10.63" 27 cm	1-1/2" FNPT 3.81 cm	1-1/2" FNPT 3.81 cm	-
WRS-9EN	14.75" 37.74 cm	15.68" 39.83 cm	10.63" 27 cm	1-1/2" FNPT 3.81 cm	1-1/2" FNPT 3.81 cm	-



Model	A	B	C	D	E	F
WRSC-6	10.55" 26.8 cm	10.06" 25.55 cm	8.9" 22.61 cm	10.63" 27 cm	1-1/2" FNPT 3.81 cm	1-1/2" FNPT 3.81 cm

PLATE ALIGNMENT DIAGRAM



TYPICAL INSTALLATION

