

## ENGINEERED PRODUCTS: IGP AUTOMATIC SERIES

### APPLICATIONS

- Engineered Products IGP-A Series Grinder Pumps are ideal for sewage waste transfer

### FEATURES

- Powerful 2 hp, 3450 rpm motor to handle the demands of grinding domestic sewage
- Mechanical float switch for automatic operation on 515861 and 515873
- Start/Run components encased in oil-free chamber requiring no control panel
- Carbon/Ceramic mechanical seal
- Deflection-resistant, short motor shaft
- Corrosion-resistant brass impeller minimizes downtime and maintenance
- Seven-vane, angled face, non-clogging, balanced impeller
- Tight cutting clearances for superior grinding at 414,000 cuts per minute
- Epoxy-coated finish for corrosion resistance and durability
- Built-in overload protection prevents over-current/over-temperature damage
- GLK-SST Grinder Leg Kit included with all IGP-A pumps

### CONSTRUCTION

Motor Cover	Cast iron with epoxy coating
Motor Cover O-ring	Nitrile
Motor Design	Single-phase, capacitor start, capacitor run
Insulation Class	F
Overload Protection	Internal, on winding thermal protector
Motor Shaft	*AISI 300 series stainless steel
Ball Bearing-Upper	Single row ball, 6203
Ball Bearing-Lower	Single row ball, 6306
Seal Housing	Cast iron with epoxy coating
Mechanical Seal	Carbon/Ceramic
Volute	Cast iron with epoxy coating
Impeller	Brass
Rotating Cutter	AISI 440C stainless steel, through-hardened to Rockwell 55-60C
Stationary Cutter	AISI 440C stainless steel, hardened to Rockwell 55-60C
External Hardware	300 series stainless steel
Power Cable	Type SOW/or SOW 14/3 AWG

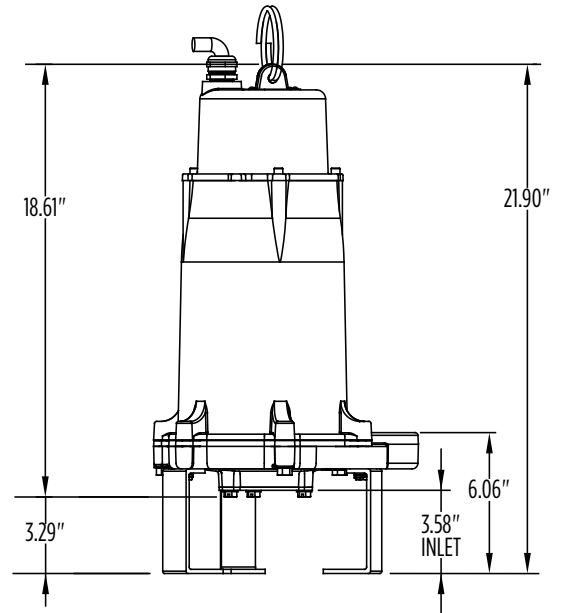
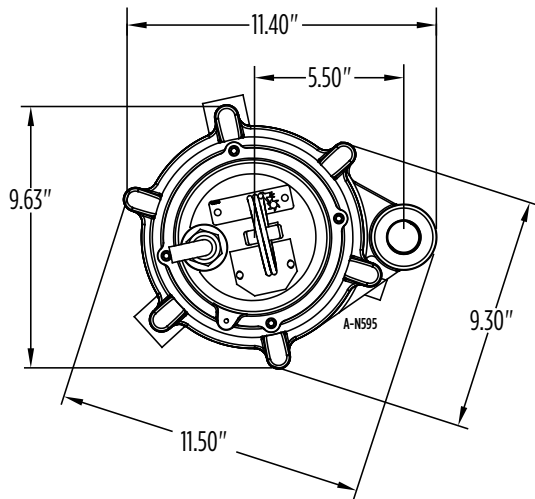
\*In contact with fluid pumped



(U.S. Patent No. 7,237,736)

# ENGINEERED PRODUCTS: IGP AUTOMATIC SERIES

## DIMENSIONS



## MODEL INFORMATION

Item No.	Model	HP	Volts	Hz	Full Load Amps/ Watts	Cord
515861	IGP-A231-20	2	208-230	60	13.9/3200	20'
515862	*IGP-A231-20	2	208-230	60	13.9/3200	20'
515873	IGP-A231-30	2	208-230	60	13.9/3200	30'
515874	*IGP-A231-30	2	208-230	60	13.9/3200	30'

Performance (GPM @ Head)						Shut-Off	PSI	Weight (lbs)
20'	40'	60'	80'	100'	120'			
32	31	30	25	20	10	130'	56	104

\*Float not included

## PERFORMANCE

