

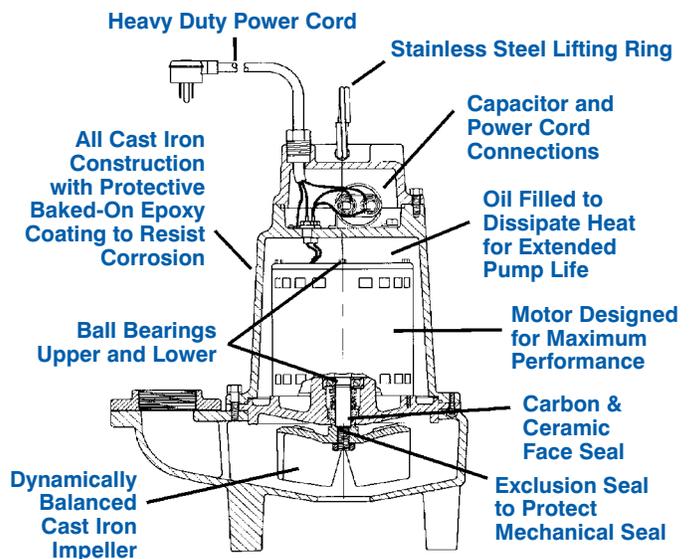
# Little GIANT®

## 16S SERIES



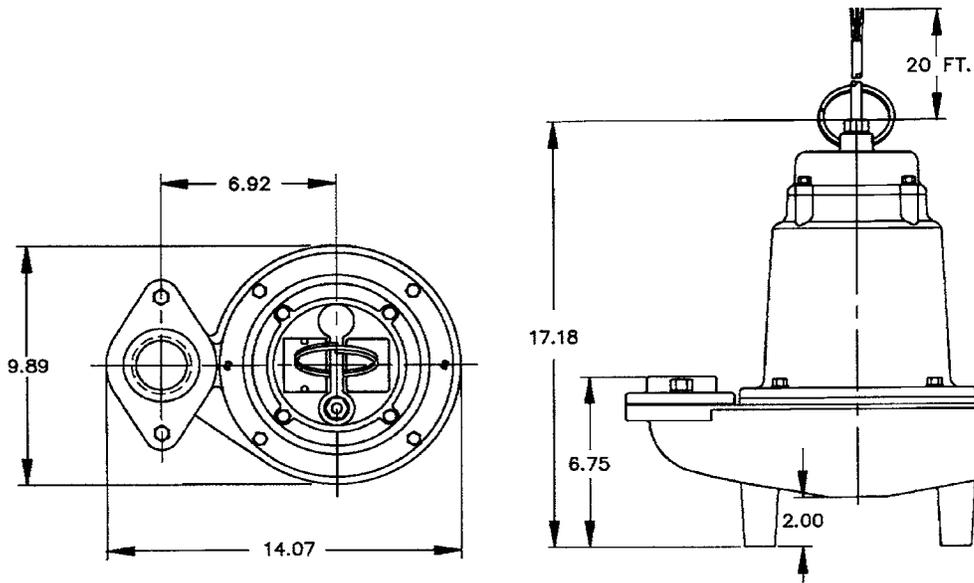
### Features

- Handles liquids and solid waste materials up to 2" diameter.
- Cast iron pump housing with protective epoxy coating for corrosion resistance
- Oil-filled motor housing for lifetime lubrication and rapid heat dissipation
- Stainless steel screws, bolts and lifting ring
- Mechanical seals (stainless steel spring, nitrile parts, carbon and ceramic faces) for long life and reliability
- Secondary exclusion seal to help protect mechanical seal
- 1 HP ball bearing motor
- Thermal overload protection
- Permanent split capacitor design on single phase models
- Capacitor & power cord isolated from oil-filled motor housing for ease of field maintenance
- Dynamically balanced two-vane non-clogging impeller with pump-out vanes to protect seal



For residential, commercial, industrial and agricultural use. Pumps feature 3" FNPT discharge with a maximum head of 35', heavy duty cast iron construction and stainless steel hardware.

# 16S SERIES



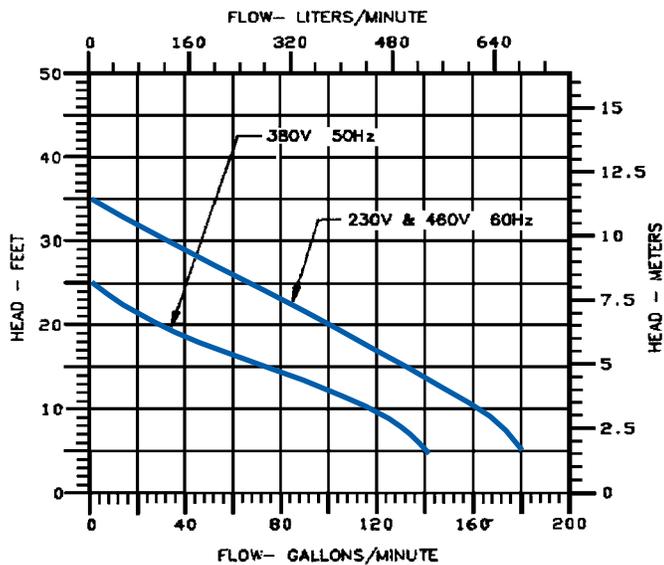
## Specifications

Model No.	Item No.	Discharge	Solids Size (dia. in.)	Listing	HP	Volts	Ph.	Hz.	RPM	Amps/Watts	Shutoff		Cord Length (ft.)**	Weight (lbs.)
											Ft.	P.S.I.		
16S-CIM	514620	3" FNPT	2"	UL/CSA	1	230	1	60	1625	11.0/1900	35'	15.1	20'	88
16S-CIM	514630	3" FNPT	2"	UL/CSA	1	230	1	60	1725	11.0/1900	35'	15.1	40'	88
16S-CIM	514625	3" FNPT	2"	UL/CSA	1	200-208	1	60	1650	11.0/2000	35'	15.1	20'	88
16S-CIM	514720	3" FNPT	2"	UL/CSA	1	230	3*	60	1725	6.3/1550	35'	15.1	20'	88
16S-CIM	514730	3" FNPT	2"	UL/CSA	1	460/380	3*	60/50	1725	3.2/1400	35'	15.1	20'	88
16S-CIM	514740	3" FNPT	2"	CSA	1	575	3*	60	1725	2.5/1400	35'	15.1	20'	88
16S-CIM	514750	3" FNPT	2"	UL/CSA	1	200-208	3*	60	1725	6.8 Amps	35'	15.1	20'	88

Continuous Duty Rated — "Little Giant Wastewater pumps are rated continuous duty as long as they are run within the published ratings for these pumps."

\*3 phase pumps require control panel to operate

\*\*Without plug



## Construction

Motor Housing	Epoxy coated cast iron
Impeller Material	Epoxy coated cast iron
Impeller Type	Two vane, non-clog
Volute	Epoxy coated cast iron
Power Cord	16/3, STW
Mechanical Shaft Seal	Nitrile with carbon and ceramic faces
Fasteners	Stainless steel
Shaft	Stainless steel
Bearings	Upper and lower ball bearings