

Wastewater

18S Series



Applications

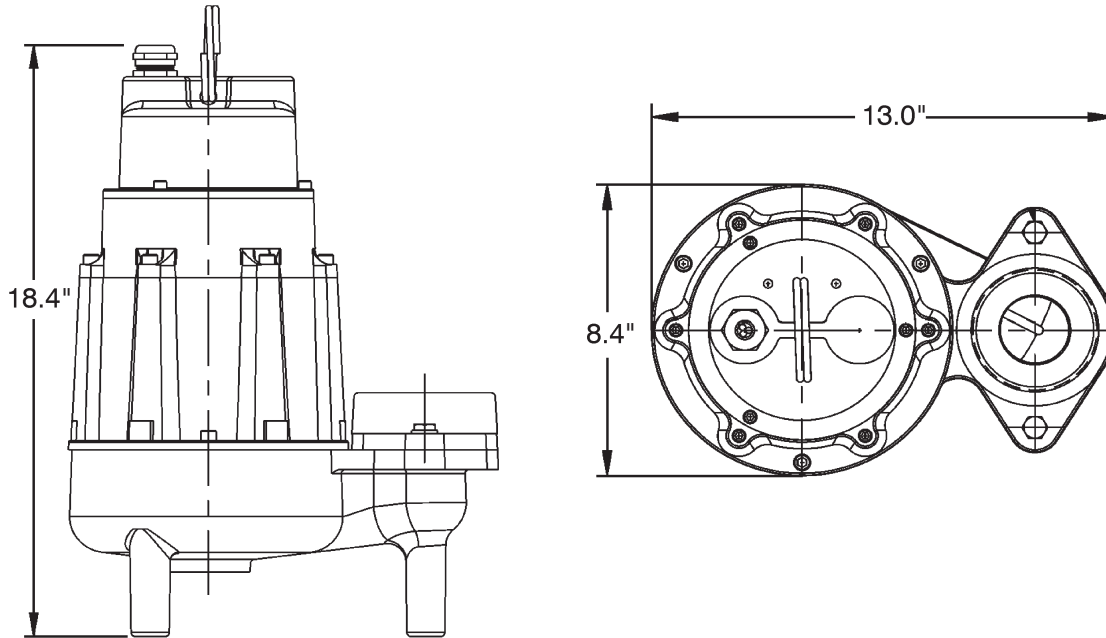
- Little Giant 18S Series Sump/Sewage Pumps are rated for continuous duty in effluent and sewage waste transfer applications

Features

- 1-1/2 hp permanent split capacitor motor with thermal overload protection on single-phase units
- Oil-filled motor housing for lifetime lubrication and rapid heat dissipation
- Cast iron pump housing with protective epoxy-coating for corrosion resistance
- 3" FNPT discharge
- Brass impeller
- Stainless steel hardware
- Mechanical seal (stainless steel spring, nitrile parts, carbon, and ceramic faces)
- Secondary exclusion seal to help protect mechanical seal
- Capacitor and power cord connections are isolated from oil-filled motor housing for ease of field maintenance
- Handles liquids and solid waste materials up to 2" diameter

LittleGIANT®

Engineering Data



Specifications

| Item No. | Model No. | HP | Volts | Hz | Ph | Full Load Amps | RPM | Performance (GPM @ Head) | | | | | | Discharge | Shut Off | | Cord Length (ft) | Weight (lbs) | Dimensions H x L x W (in) |
|----------|-----------|-------|---------|----|----|----------------|------|--------------------------|-----|-----|-----|-----|-----|-----------|----------|------|------------------|--------------|---------------------------|
| | | | | | | | | 10' | 20' | 30' | 40' | 50' | 60' | | Feet | PSI | | | |
| 520301 | 18S-CIM | 1-1/2 | 230 | 60 | 1 | 15.5 | 3450 | 160 | 137 | 111 | 84 | 50 | 15 | 3" FNPT | 64 | 27.7 | 20 | 96 | 18.4 x 13.0 x 8.4 |
| 520300 | 18S-CIM | 1-1/2 | 208 | 60 | 1 | 16.0 | 3450 | 160 | 137 | 111 | 84 | 50 | 15 | 3" FNPT | 64 | 27.7 | 20 | 94 | 18.4 x 13.0 x 8.4 |
| 520302 | 18S-CIM | 1-1/2 | 200-208 | 60 | 3* | 13.5 | 3450 | 160 | 137 | 111 | 84 | 50 | 15 | 3" FNPT | 64 | 27.7 | 20 | 96 | 18.4 x 13.0 x 8.4 |
| 520303 | 18S-CIM | 1-1/2 | 230 | 60 | 3* | 11.5 | 3450 | 160 | 137 | 111 | 84 | 50 | 15 | 3" FNPT | 64 | 27.7 | 20 | 94 | 18.4 x 13.0 x 8.4 |
| 520304 | 18S-CIM | 1-1/2 | 460 | 60 | 3* | 5.3 | 3450 | 160 | 137 | 111 | 84 | 50 | 15 | 3" FNPT | 64 | 27.7 | 20 | 94 | 18.4 x 13.0 x 8.4 |

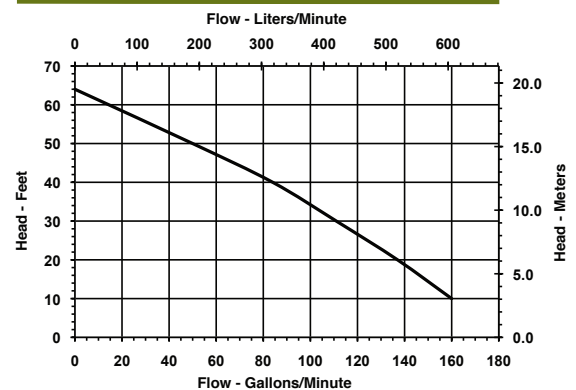
Continuous Duty Rated — Little Giant Wastewater pumps are rated continuous duty as long as they are run within the published ratings for these pumps.

*3-phase pumps require control panel

Construction

| | |
|-----------------------|--|
| Cover | Epoxy-coated cast iron |
| Motor Housing | Epoxy-coated cast iron |
| Impeller Material | Red brass |
| Impeller Type | Non-clog |
| Volute | Epoxy-coated cast iron |
| Power Cord | 14/3, SOW (1-phase); 14/4, SOW (3-phase) |
| Mechanical Shaft Seal | Carbon/ceramic |
| Fasteners | Stainless steel |
| Shaft | Stainless steel |
| Bearings | Upper and lower ball bearings |

Performance Data



P.O. Box 12010
Oklahoma City, OK 73157-2010
Phone: 1.800.701.7894
Fax: 1.800.678.7867
www.LittleGiantPump.com

