

# Industrial

## 5-MSP Series



### Applications

- For commercial, industrial, and home applications where water must be transferred or recirculated

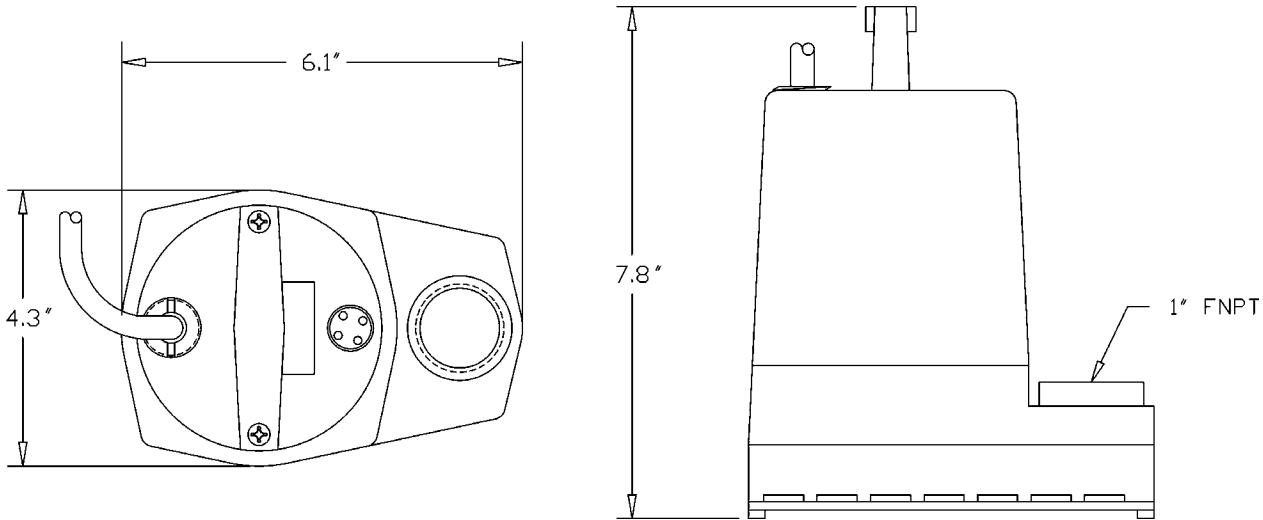
### Features

- 1/6 hp oil-filled motor
- Epoxy-coated die cast aluminum housing
- 1" FNPT discharge
- Screened intake
- Intermittent liquid temperature up to 120 °F
- Thermal overload protection
- 26.3' maximum lift
- For submersible use only

### Construction

- Housing – Epoxy-coated cast aluminum
- Cover – Epoxy-coated cast aluminum
- Volute – Nylon
- Impeller – Nylon
- Shaft Seal – Fluoroelastmer (FKM)
- Screen – Nylon

## Engineering Data



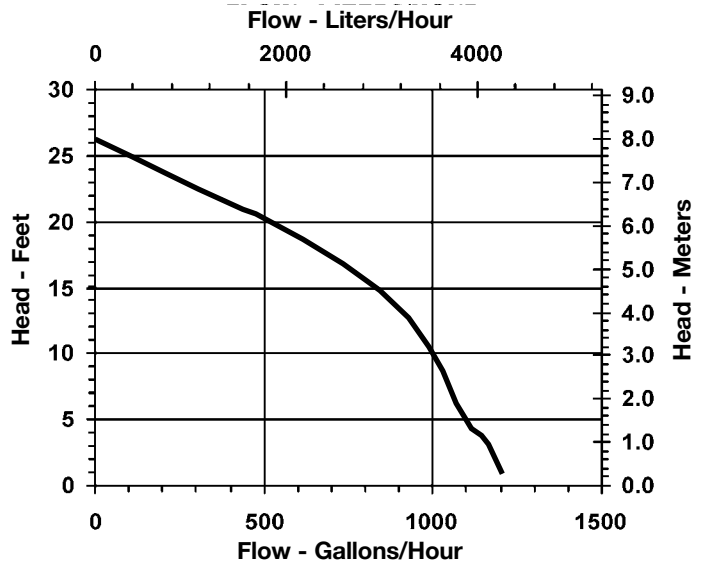
## Specifications

| Item No. | Model No. | Listing(s) | HP  | Volts | Hz | Amps | Watts | Discharge | Performance (GPH @ Head) |      |      |      |     | Shut Off |      | Cord Length (ft) | Weight (lbs) | Dimensions H X L X W (in) |
|----------|-----------|------------|-----|-------|----|------|-------|-----------|--------------------------|------|------|------|-----|----------|------|------------------|--------------|---------------------------|
|          |           |            |     |       |    |      |       |           | 1'                       | 3'   | 5'   | 10'  | 20' | Ft       | PSI  |                  |              |                           |
| 505000   | 5-MSP     | cCSAus     | 1/6 | 115   | 60 | 5.0  | 380   | 1" FNPT   | 1200                     | 1170 | 1100 | 1000 | 520 | 26.3     | 11.4 | 10               | 8.25         | 7.8" x 6.1" x 4.3"        |
| 505176   | 5-MSP     | cCSAus     | 1/6 | 115   | 60 | 5.0  | 380   | 1" FNPT   | 1200                     | 1170 | 1100 | 1000 | 520 | 26.3     | 11.4 | 18               | 8.50         | 7.8" x 6.1" x 4.3"        |
| 505025   | 5-MSP     | cCSAus     | 1/6 | 115   | 60 | 5.0  | 380   | 1" FNPT   | 1200                     | 1170 | 1100 | 1000 | 520 | 26.3     | 11.4 | 25               | 8.75         | 7.8" x 6.1" x 4.3"        |
| 505500   | 5-MSP     | —          | 1/6 | 127   | 60 | 5.8  | 380   | 1" FNPT   | 1200                     | 1170 | 1100 | 1000 | 520 | 26.3     | 11.4 | 10               | 8.25         | 7.8" x 6.1" x 4.3"        |
| 505501   | 5-MSP     | —          | 1/6 | 127   | 60 | 5.8  | 380   | 1" FNPT   | 1200                     | 1170 | 1100 | 1000 | 520 | 26.3     | 11.4 | 18               | 8.50         | 7.8" x 6.1" x 4.3"        |
| 505202   | 5-MSP     | —          | 1/6 | 230   | 60 | 2.5  | 380   | 1" FNPT   | 1200                     | 1170 | 1100 | 1000 | 520 | 26.3     | 11.4 | 12               | 8.25         | 7.8" x 6.1" x 4.3"        |

## Replacement Parts

|                    |        |
|--------------------|--------|
| Volute             | 105375 |
| Screen             | 105376 |
| Impeller           | 105310 |
| Handle             | 105918 |
| Adapter (GH)       | 599030 |
| Seal Ring (volute) | 928024 |

## Performance Data



P.O. Box 12010  
 Oklahoma City, OK 73157-2010  
 Phone: 1.800.701.7894  
 Fax: 1.800.678.7867  
 www.LittleGiantPump.com