

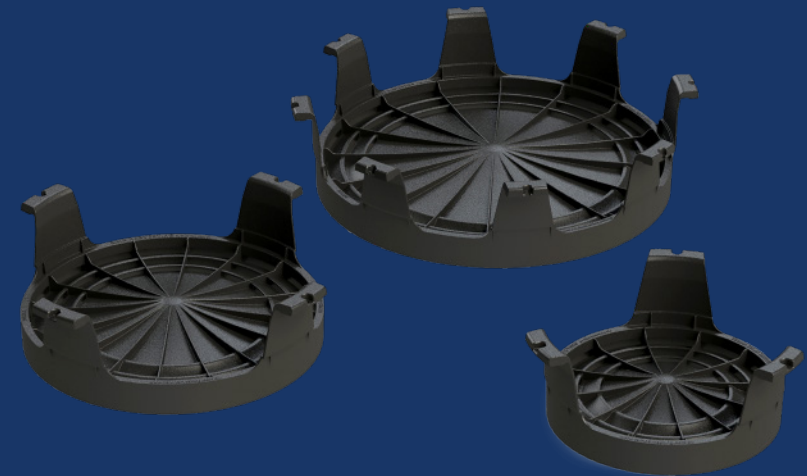
# RAIN HARVESTING

by Blue Mountain Co

# RAIN HARVESTING

by Blue Mountain Co

# Solar Shields



## Installation and Specification Guide

### PRODUCT DETAILS

Prevent algae growth by keeping sunlight out of your tank without interrupting the flow of rainwater.

**TASS24** 300mm  
*compatible with Tank Screen TATS11*

**TASS25** 400mm  
*compatible with Tank Screen TATS12*

**TASS26** 500mm  
*compatible with Tank Screen TATS02*

### FEATURES AND BENEFITS

- Protect stored rainwater quality
- Fits under the tank screen
- Reduces light and algae growth in your tank
- Calms the entry of water into the tank to minimise sediment resuspension.
- AS/NZS 4020 compliant

# Installation

## WHAT'S IN THE BOX?

- Solar Shield

## TOOLS/MATERIALS YOU MAY REQUIRE

- Screwdriver or drill
- Screws

## INSTALLATION

1. If you already have a tank screen installed, you must remove it prior to installing the Solar Shield.
2. Place the Solar Shield in the tank inlet hole so that the arms rest on the top surface of the tank and the Solar Shield is suspended in the inlet. Rotate the Solar Shield to align the screw points with the existing screw holes in the tank, if there are any.
3. Place the tank screen over the Solar Shield, making sure to align the screw points with the Solar Shield arm lugs.
4. The tank screen should drop into place so that the outer rim is flush with the surface of the tank.
5. Secure the tank screen and Solar Shield in place using screws that are suitable for the tank material. The Solar Shield will accept screws up to 8 gauge in size.

## MAINTENANCE

When properly installed, your Solar Shield should be maintenance-free. However, we recommend to occasionally to inspect and maintain the Tank Screen above it.

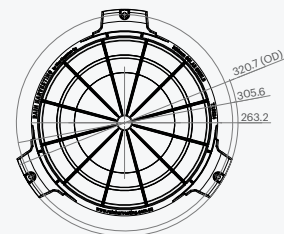
Alternatively, you may wish to consider installing a Maelstrom Filter rather than using a Solar Shield and Tank Screen.

### Disclaimer

You acknowledge and agree that the information, data, advice, opinion, plan or other thing (**Material**) provided to you by **Rain Harvesting Pty Ltd (ABN 11 113 300 093) (we, us, our)** is provided "as is" without any representation, warranty, indemnity or guarantee as to the performance, accuracy, timeliness, completeness, merchantability or fitness of the Material for any particular purpose or application. The Material may contain errors, mistakes, inaccuracies and may not be complete. We expressly exclude any liability for such performance, accuracy, timeliness, completeness, merchantability or fitness of the Material for any particular purpose or application, to the maximum extent permissible by law. Unless we expressly specify otherwise, we disclaim all responsibility and liability for any third party provided advice or provision of services, or failure to advise or provide services. The disclaimers above are subject to the rights, warranties, guarantees and remedies relating to the provision of services that you have under, and that cannot be excluded, restricted or modified under, the Australian Consumer Law. For more information, please see our Services Purchase Terms at [www.bluemountainco.com.au](http://www.bluemountainco.com.au).

## PRODUCT DIMENSIONS

TASS24  
300mm

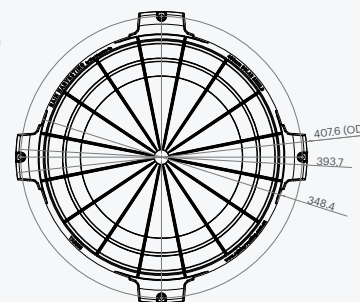


TOP VIEW

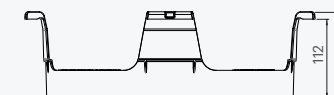


FRONT VIEW

TASS25  
400mm

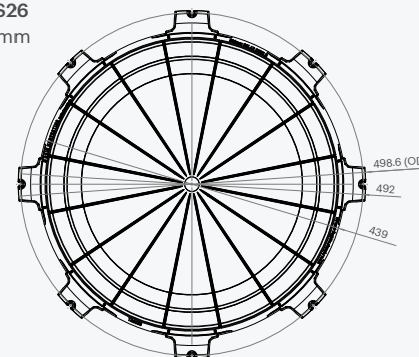


TOP VIEW



FRONT VIEW

TASS26  
500mm



TOP VIEW



FRONT VIEW

ALL DIMENSIONS IN MM UNLESS OTHERWISE STATED.

## COMPLIANCE

- AS/NZS 4020:2005 - Testing of products for use in contact with drinking water