



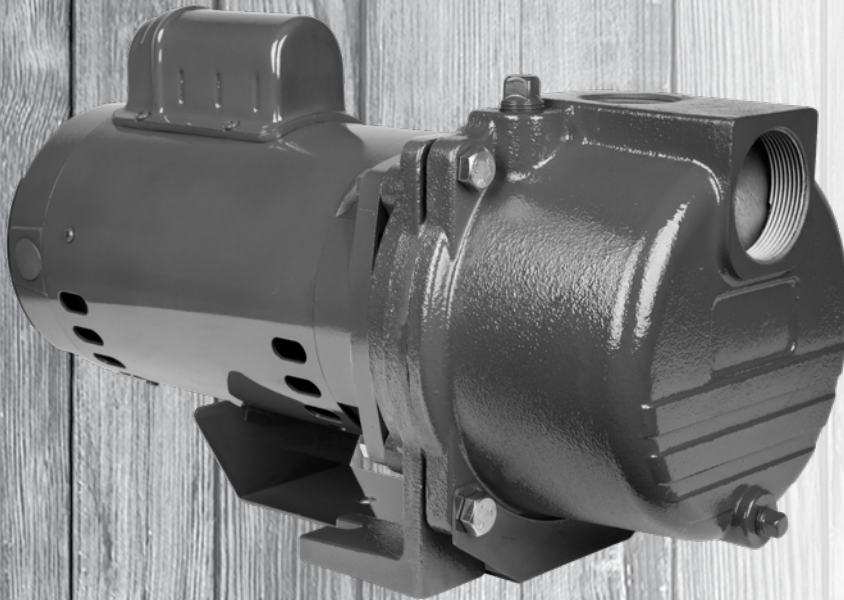
RED LION®

EN

ENGLISH

SPRINKLER PUMPS RL-SPRK Series

Owner's Manual



**1 HP AND 1-1/2 HP MODELS ARE DUAL VOLTAGE
(115/230 VOLTS) AND FACTORY SET FOR 230 VOLTS.**


SEE VOLTAGE SETTING INSTRUCTIONS TO SET FOR 115 VOLTS.


Table of Contents


Before Getting Started	2
Introduction.....	3
Plug Descriptions and Socket Sizes.....	3
Voltage Setting Instructions	3
Installation	4
Operation.....	6
Maintenance.....	7
Troubleshooting.....	8
Replacement Parts	9
Limited Warranty.....	10


BEFORE GETTING STARTED


Read and follow safety instructions. Refer to product data plate(s) for additional operating instructions and specifications.

This is the safety alert symbol. When you see this  symbol on your pump or in this manual, look for one of the following signal words and be alert to the potential for personal injury or property damage if ignored:

 **DANGER** warns about hazards that will cause serious personal injury, death or major property damage if ignored.

 **WARNING** warns about hazards that can cause serious personal injury, death or major property damage if ignored.


 **CAUTION** warns about hazards that will or can cause minor personal injury or major property damage if ignored.


 **NOTICE** indicates special instructions which are important but not related to hazards. Carefully read and follow all safety instructions in this manual and on pump.



BEFORE OPERATING OR INSTALLING THIS PUMP, READ THIS MANUAL AND FOLLOW ALL SAFETY RULES AND OPERATING INSTRUCTIONS.

 **WARNING** READ AND FOLLOW ALL SAFETY INSTRUCTIONS.

 **WARNING ELECTRICAL PRECAUTIONS** - All wiring, electrical connections, and system grounding must comply with the National Electrical Code (NEC) and with any local codes and ordinances. Employ a licensed electrician.

 **WARNING FOR DUAL VOLTAGE MOTORS (115/230 V)** - Voltage change instructions are located in this manual.

 **NOTICE** The motor voltage is factory set at 230 V.

 **WARNING RISK OF ELECTRIC SHOCK**

- Have an electrician provide electrical power to motor.
- We recommend that a separate circuit be lead from the home electrical distribution panel, properly protected with a fuse or a circuit breaker.
- A ground fault interrupter (GFI) protected circuit is also recommended for use with any electrical device operating near water.
- For recommended cable size see Table 1.
- Motor must be grounded and terminal cover in place to reduce electrical shock hazard.
- Keep motor operating area as dry as possible.
- Always disconnect power before servicing.
- Not investigated for use in swimming pool areas.

 **WARNING 75 PSI PRESSURE RELIEF VALVE RECOMMENDED**

This pump is capable of producing high pressure. Installing a 75 psi pressure relief valve is highly recommended.

INTRODUCTION

This pump is ideal for both residential and commercial lawn and turf sprinkler systems. This pump is suitable for installations where the vertical distance from the pump to the water level does not exceed 25 ft (7.6 m), including drawdown (less at high altitudes). In offset installation, friction losses in the suction pipe must be taken into consideration (refer to **Table 2, Friction Loss, page 8**).

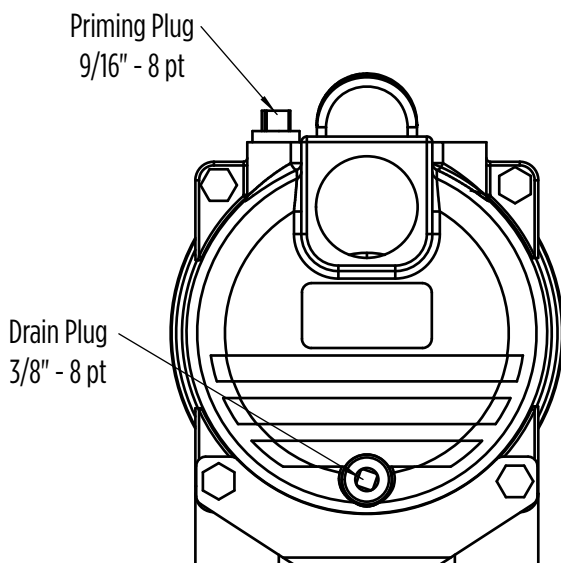
This instruction sheet provides you with the information required to safely own and operate your product. Retain these instructions for future reference.

The product you have purchased is of the highest quality workmanship and material, and has been engineered to give you long and reliable service. This product has been carefully tested, inspected, and packaged to ensure safe delivery and operation. Please examine your item(s) carefully to ensure that no damage occurred during shipment. If damage has occurred, please contact the place of purchase. They will assist you in replacement or repair, if required.

READ THESE INSTRUCTIONS CAREFULLY BEFORE ATTEMPTING TO INSTALL, OPERATE OR SERVICE YOUR PRODUCT. KNOW THE PRODUCT'S APPLICATION, LIMITATIONS, AND POTENTIAL HAZARDS. PROTECT YOURSELF AND OTHERS BY OBSERVING ALL SAFETY INFORMATION. FAILURE TO COMPLY WITH THESE INSTRUCTIONS COULD RESULT IN PERSONAL INJURY AND/OR PROPERTY DAMAGE!

PLUG DESCRIPTIONS AND SOCKET SIZES

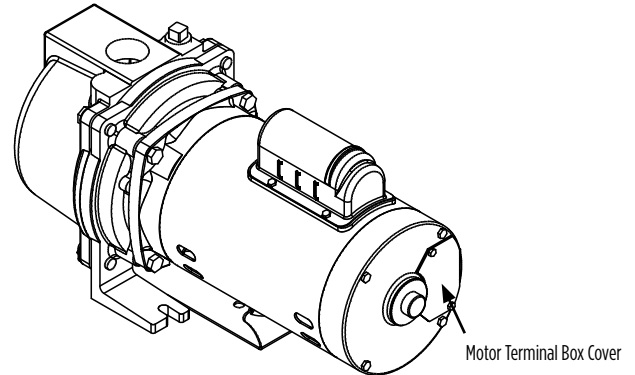
⚠ NOTICE Do not use open style wrenches to loosen plugs. Plugs may become damaged and difficult to remove.



VOLTAGE SETTING INSTRUCTIONS

To change the pump voltage from the factory setting of 230 volts, a qualified electrician should:

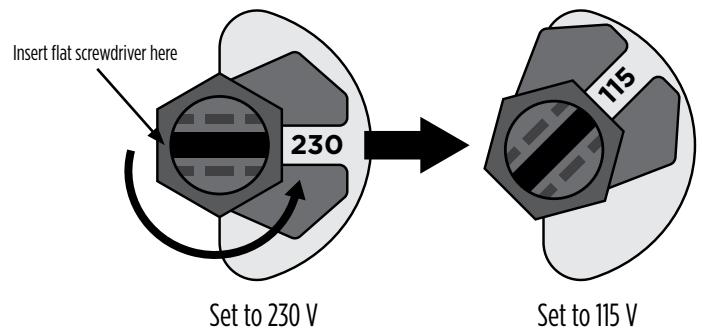
1. Disconnect the power supply to the pump.
2. Remove the cover from the motor terminal box.



FOR 1 HP MODELS

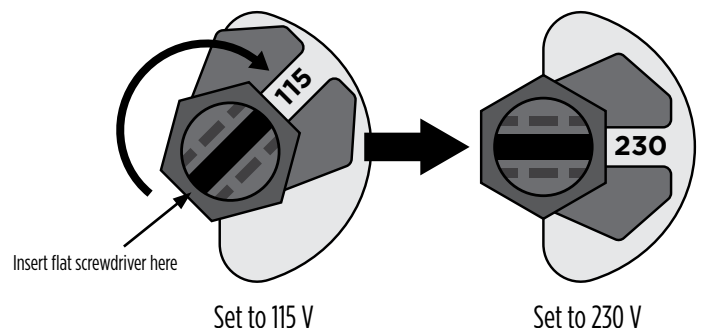
Changing voltage from 230 Volts to 115 Volts:

The cutout in the voltage change indicator will display 230 prominently, as shown below. Insert a flat screwdriver into the black voltage change indicator. To change from 230 Volts to 115 Volts, rotate the voltage change indicator counterclockwise until 115 is displayed in the cutout.

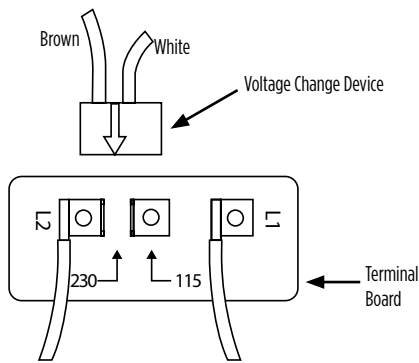


Changing voltage from 115 Volts to 230 Volts:

The cutout in the voltage change indicator will display 115 prominently, as shown below. Insert a flat screwdriver into the black voltage change indicator. To change from 115 Volts to 230 Volts, rotate the voltage change indicator clockwise until 230 is displayed in the cutout.



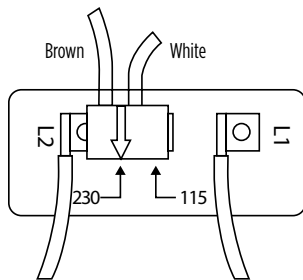
FOR 1-1/2 HP MODELS



#1

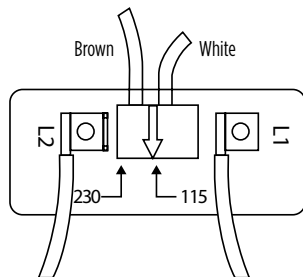
In #1, the motor's switch is shown before the black voltage change device is pressed down onto the voltage terminals.

NOTE: DO NOT MOVE LEAD WIRES ON L1 & L2.



#2 (Set to 230 V)

In #2, the motor's switch is set for 230 V. The white arrow on the voltage change device points directly to the 230 V arrow on the terminal board.



#3 (Set to 115 V)

In #3, the motor's switch is set for 115 V. The white arrow on the voltage change device points directly to the 115 V arrow on the terminal board.

FOR 2 HP MODELS

2 HP models are available in 230 Volts only.

Table 1

Motor		Wire Gauge (AWG)				
HP	Volts	25 ft (8 m)	50 ft (15 m)	100 ft (30 m)	150 ft (46 m)	200 ft (61 m)
1	115	14	12	10	8	6
	230	14	14	14	14	12
1-1/2	115	12	12	8	6	6
	230	14	14	14	12	12
2	230	14	14	14	12	10

INSTALLATION

Pump Location

Install the pump in a clean, dry, and ventilated location that provides adequate drainage, room for servicing, and protection from freezing temperatures.

CAUTION The pump must be protected from the elements and freezing temperatures. The motor is not water-resistant.

Bolt down the pump evenly on a good foundation, preferably concrete, to prevent the development of unnecessary stress. Locate the pump as close as possible to the water supply to reduce friction losses in the suction pipe and to provide for maximum capacities. **A foot valve must be used.**

Suction Pipe

Use only new, clean pipe or hose the same size as that of the pump suction tapping. If the pump is installed any appreciable distance away from the water supply, increase the suction pipe by one size. The suction pipe must always slope upwards from the water source to the pump to avoid air pockets in the line. It is advisable to use a 90° or 45° elbow on the suction line. This enables the pump to prime sooner and also prevents kinking of the hose. A check valve is recommended to ensure easier priming. In cases where a maximum volume of water is required over a prolonged period, the suction line should be led almost horizontally to the pump. Use non-toxic thread compound on all pipe joints, and tighten all connections thoroughly. Connect a strainer to the bottom end of the suction pipe and ensure that it is well submerged at all times.

WARNING ELECTRICAL PRECAUTIONS

All wiring, electrical connections, and system grounding must comply with the National Electrical Code (NEC) and with any local codes and ordinances. Employ a licensed electrician.

WARNING RISK OF ELECTRICAL SHOCK

Grounding the Motor

Wiring to this pump must be installed and maintained in accordance with the National Electrical Code or your local electric code. If more information is needed, call your local licensed electrician or your power company.

It is recommended that a permanent ground connection be made to the unit using a conductor of appropriate size from a metal underground water pipe or a grounded lead in the service panel. Do not ground to a gas supply line. Do not connect to electric power supply until unit is permanently grounded. Connect the ground wire to the approved ground and then connect to the terminal provided.

WARNING RISK OF ELECTRICAL SHOCK

Wiring: Make sure the voltage and frequency of the power supply agrees with the voltage of the pump. If in doubt, check with the power company. Connect wiring to terminal board located inside motor terminal box cover.

Single Shallow Well (Figure 4)

The single shallow well (Figure 4) is typically a drilled well with a 4" or 6" steel or plastic casing running vertically into the ground. The surface of the water should not exceed 25 feet in depth.

Connect the foot valve to the first length of suction pipe and lower into well. Add pipe sections as needed, securing them using one of the sealing methods previously mentioned. The foot valve should be AT LEAST 5 feet below the surface of the water to allow for water draw down. Seal the top of the 4" or 6" well casing with a well seal to prevent debris from falling into the well.

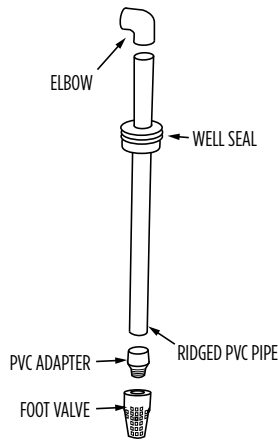


Figure 4

A. Suction Port Connection (Figure 5)

1. Attach the foot valve or well point to pipe assembly and lower pipe and foot valve until it is at least five feet below the water level. If you are using a well, temporarily clamp the pipe to the well casing to prevent the pipe from sliding into the well. If well is in a 4" or 6" casing, use a well seal at the surface. Never use a suction pipe size smaller than the size of the suction port on the pump.

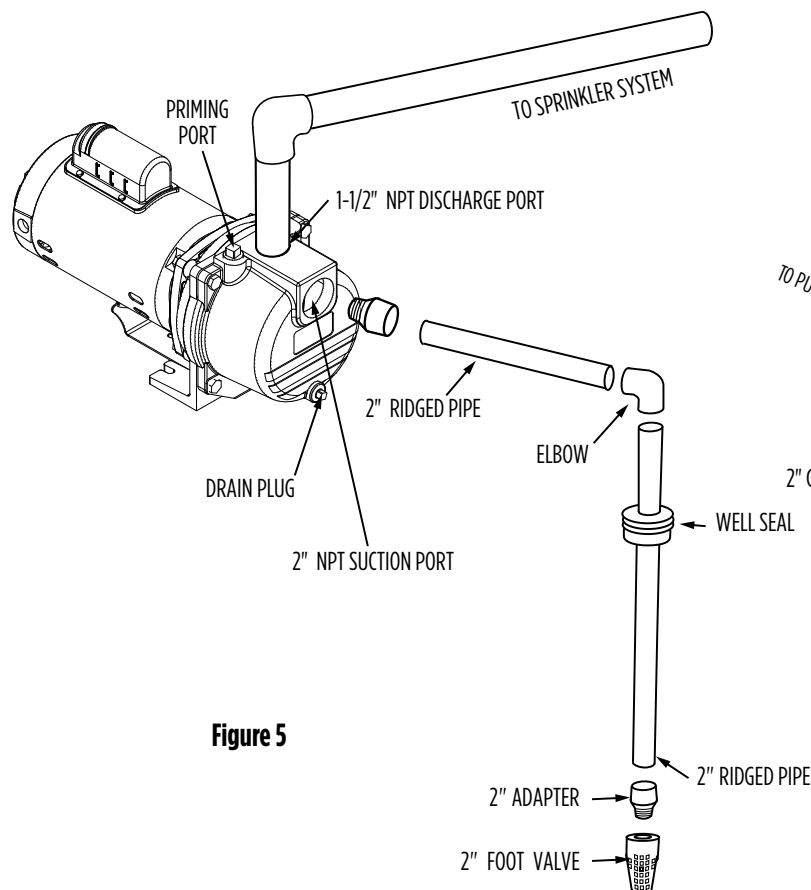


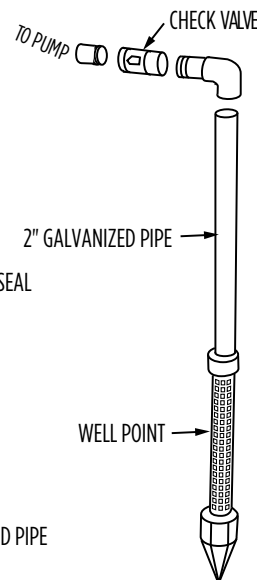
Figure 5

2. Connect the necessary elbows, fittings, check valves, and pipe from the water to the pump suction port on front of pump. When using PVC, pre-assemble pipe and fittings to the pump BEFORE applying PVC cement to ensure proper cuts and inventory. Use PTFE tape on all male threads, wrapping clockwise (when facing pipe) 1 to 2 layers thick. Tighten all threaded pipe fittings until snug. DO NOT OVER-TIGHTEN PIPE AND FITTINGS. Tighten joints hand-tight plus 1/2 turn with pipe wrench.

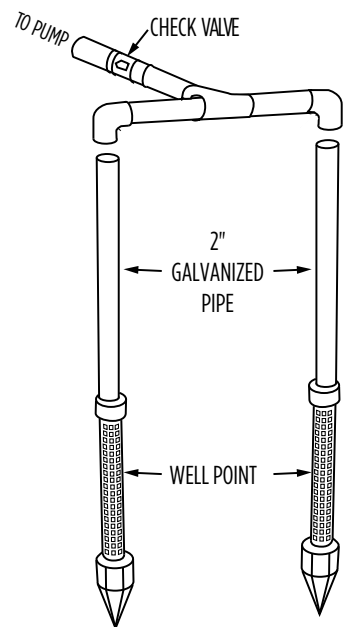
B. Discharge Port Connections (Figure 6)

1. Thread male adapter or pipe nipple into discharge port on top of pump. (Use PTFE tape on thread.)
2. Connect pipe between the sprinkler manifold and the pump discharge. Discharge pipe size should increase with long pipe runs. Discharge pipe size may equal discharge port size for distances up to 100'. Increase discharge pipe size by one size for distances of 100' to 300'. For 300' to 600', increase pipe size by two sizes. This will reduce pressure loss caused by friction.
3. Tighten all threaded pipe connections with pipe wrench until snug. Do not over-tighten.

WELL POINT INSTALLATION



MULTIPLE WELL POINT INSTALLATION



OPERATION

⚠ WARNING DO NOT run pump against a closed discharge. This may cause hazardous pressure and risk of explosion.

⚠ CAUTION Do not run the pump before priming it. The seal and impeller could be permanently damaged.

⚠ CAUTION DO NOT run the pump before filling the pump case with liquid. Doing so may damage the seal.

⚠ CAUTION DO NOT run pump dry. Fill pump with water before starting pump. Operating pump dry may cause damage to pump and will void warranty.

A priming port plug is provided in the top of the casing to fill the pump with water. Once filled and the priming plug replaced, the pump will prime. The priming time depends upon the vertical and horizontal distance between the pump and the water level.

1. Remove priming port plug from pump (Figure 7).
2. Open discharge valves and any hoses on discharge side of pump.
3. Fill pump with water through the priming port on top of pump. Allow trapped air to escape for a few minutes, then add more water until full.
4. Replace priming port plug and tighten with wrench, using PTFE tape on pipe threads.
5. Start the pump. A properly primed pump should discharge water without air at a consistent pressure. If the pump does not produce water after five minutes, stop the pump, release all pressure, remove priming port plug, add more water, replace plug, and try again. Ensure that a foot valve is properly installed on the suction pipe (Figure 5). If an exceptionally long suction line is used, the water in the pump casing may become overheated or vapourlocked. Should this occur, replace the water in the casing with cold water and continue priming.

⚠ CAUTION

Never operate the pump dry as this may damage the seal.

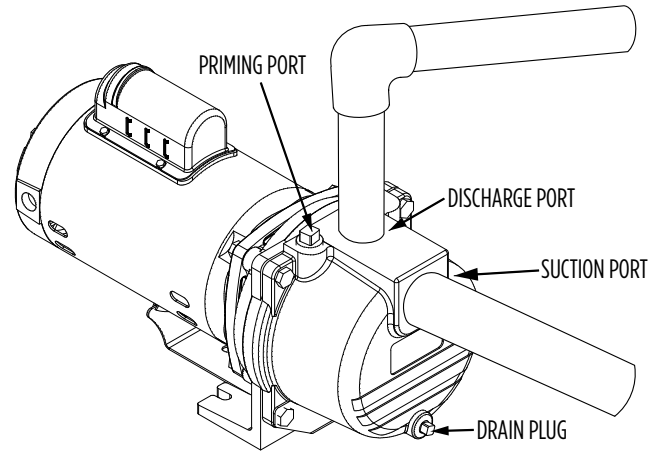


Figure 6

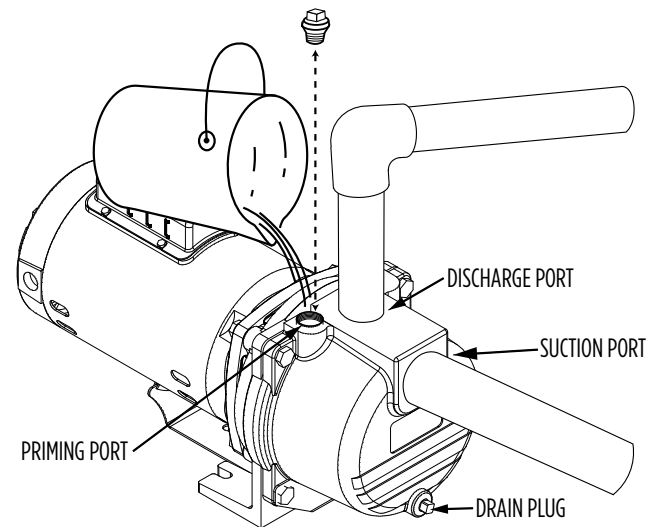


Figure 7

MAINTENANCE

⚠ WARNING ELECTRICAL PRECAUTIONS

All wiring, electrical connections, and system grounding must comply with the National Electrical Code (NEC) and with any local codes and ordinances. Employ a licensed electrician.

⚠ WARNING RISK OF ELECTRICAL SHOCK

- Have an electrician provide electrical power to the motor.
- Motor must be grounded and terminal cover in place to reduce electrical shock hazard.
- Keep motor operating area as dry as possible.
- A ground fault circuit interrupter (GFCI) protected circuit is recommended for use with any electrical device operating near water.
- Always disconnect power before servicing.
- Not investigated for use in swimming pool areas.

Lubrication: The pump requires no lubrication.

Draining

Should the pump be subject to freezing temperatures, it will be necessary to drain the pump completely. To drain, remove the drain plug located at the bottom of the front face of the pump casing and the priming plug and make sure that the drain hole is not restricted. After all the water has been drained, operating the pump for a few seconds will ensure that the impeller is devoid of water (make sure that the suction line is also devoid of water).

Pump Storage

Drain liquid from pump to prevent freezing. It is recommended that a good rust inhibitor be put in the liquid end to prevent excessive corrosion. Be sure motor is kept dry and covered. When restoring the use of the pump, replace all plugs and make sure all connections are tightly sealed. After a complete check is made, make the initial prime according to the OPERATION section.

Disassembly

(See figure 8 from the REPLACEMENT PARTS section.)

1. Shut off the power to the pump at the main service panel and disconnect the power supply from motor.
2. Open a tap in the water system to release the pressure.
3. Remove the drain and fill plugs (8, 10) to allow the pump to drain.
4. Remove the four bolts (9), the casing (11), the gasket (12) and O-ring (6).
5. Remove the screws on the diffuser (7) to separate the diffuser (13) from the motor adapter (3). Remove the cap (16) and insert a screwdriver to prevent the shaft from turning while unscrewing the impeller (5). If impeller cannot be turned by hand, insert a flat object into the impeller vane.

NOTE: Use a strap wrench on the impeller eye to remove the impeller.

6. Slip the rotating seal (4) off the impeller hub.
7. To replace the seal seat (4A) remove four bolts to remove the case adapter (3) to separate from the motor (2). Push the seal seat (4A) out of the case adapter from the motor side.

Reassembly

1. Clean all the parts thoroughly before assembling.
2. Lightly lubricate (with soapy water) the rubber cap on the ceramic seal (4) and push it into the adapter (3) using your thumbs only. Make sure the smooth surface of the ceramic seat faces outwards

NOTE: If the pump will remain out of service for longer than one week, the seal components must be installed dry (no lubrication).

3. Put the adapter back on the motor with the four bolts removed previously.
4. Lubricate the rotating seal (4) (with soapy water) and slip it onto the impeller hub with the 'carbon' ring towards the ceramic seat. Apply thread locker to shaft threads prior to installing impeller.
5. Replace the impeller (5) and the diffuser (13).
6. Replace the casing (11) making sure that the gasket (12) and O-ring (6) are not damaged and is in place.
7. Reconnect the tubes to the casing and to the pressure switch.
8. Reconnect the power.
9. **Prime pump**, start the pump and check for leaks.

Table 2 - FRICTION LOSS FOR PLASTIC PIPE*

Loss of head in feet due to friction per 100 feet of pipe

Nominal Pipe Size U.S. GPM	3/4"	1"	1-1/4"	1-1/2"	2"
4	3.75	1.15	0.30	0.14	-
5	5.66	1.75	0.46	0.22	-
6	7.95	2.45	0.65	0.31	-
7	10.60	3.25	0.86	0.41	-
8	13.50	4.16	1.10	0.52	-
9	16.80	5.17	1.35	0.65	-
10	20.40	6.31	1.67	0.79	0.23
11	24.40	7.58	1.98	0.95	0.27
12	28.60	8.85	2.33	1.10	0.32
14	38.00	11.80	3.10	1.46	0.43
16	48.60	15.10	3.96	1.87	0.55
18	60.50	18.70	4.93	2.33	0.69
20	73.50	22.80	6.00	2.83	0.84

Loss of head in meters due to friction per 100 meters of pipe

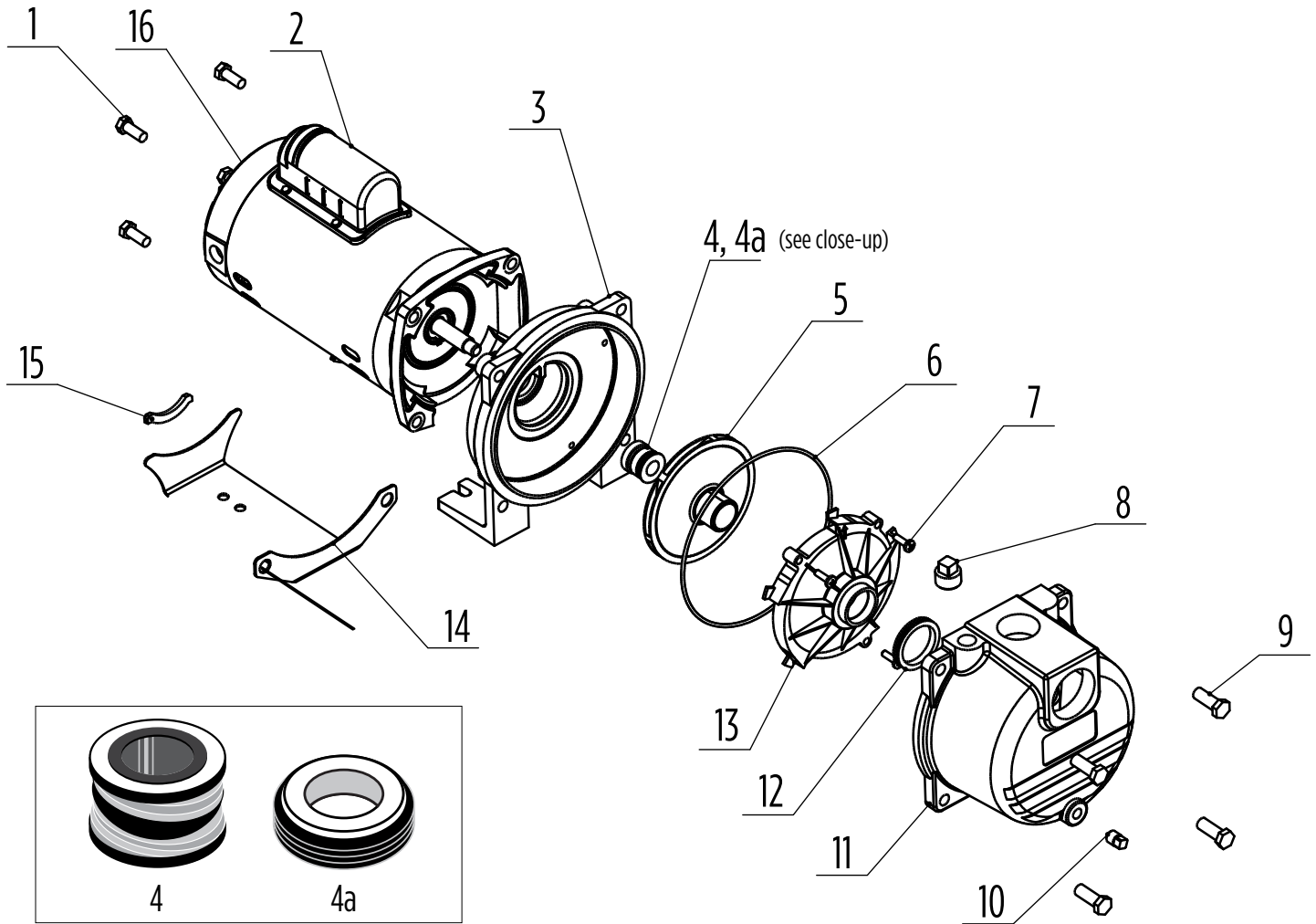
Nominal Pipe Size L/Min.	20 mm	25 mm	32 mm	40 mm	50 mm
15	3.7	1.15	0.30	0.13	-
20	5.3	1.64	0.43	0.19	-
25	7.1	2.18	0.56	0.27	-
30	13.5	4.13	1.08	0.49	-
35	16.3	5.00	1.31	0.61	-
40	23.5	7.30	1.90	0.88	0.25
45	28.3	8.74	2.31	1.07	0.29
50	34.2	10.60	2.79	1.32	0.38
55	40.7	12.60	3.32	1.56	0.46
60	48.1	14.90	3.92	1.85	0.54
65	55.7	17.30	4.45	2.15	0.63
70	63.8	19.70	5.20	2.46	0.73
75	72.2	22.40	5.89	2.78	0.83

*For galvanized pipe, double the figures.

TROUBLESHOOTING

Problem	Possible Cause	Remedy
Failure to pump	Pump not properly primed.	Make sure pump casing and suction line are full of water. See priming instructions.
	Speed too low.	⚠ WARNING ELECTRICAL PRECAUTIONS. All wiring, electrical connections and system grounding must comply with the National Electrical Code (NEC) and with any local codes and ordinances. Employ a licensed electrician. Check voltage at motor terminals and at meter when pump is operating. If low, refer to wiring instructions or check with your power company. Check loose connections.
	Total head more than for which pump was intended.	A pump designed for higher head needed.
	Suction lift is too great.	Locate pump closer to source of water. Make sure suction piping is large enough.
Reduced capacity and/or head	Air pockets or leaks in suction line.	Check suction piping.
	Clogged impeller.	Remove and clean.
	Strainer too small or clogged.	Use larger strainer or clean.
	Insufficient submergence of suction line.	Add lengths of suction pipe to keep submerged end well below the water surface.
	Excessive suction lift.	If caused by suction pipe friction, enlarge piping.
	Total head more than that for which the pump was intended.	A pump designed for higher head is needed.
Pump loses prime	Excessively worn impeller.	Order replacement parts using Replacement Parts list.
	Air leaks in suction line.	Check suction piping.
	Excessive lift and operating too near shut-off point.	Move pump nearer water level.
Mechanical troubles and noise	Water level drops while pumping, uncovering suction piping.	Check water supply. Add length of pipe to suction to keep submerged end under water.
	Bent shaft and/or damaged bearings.	Take motor to authorized motor repair shop.
	Suction and/or discharge piping not properly supported and anchored.	See that all piping is supported to relieve strain on pump assembly.

REPLACEMENT PARTS (Figure 8)



Item #	Description	Where Used	Contents
305606007	Overhaul Kit	RL-SPRK100	4, 4a, 5, 6, 7, 12
305606008	Overhaul Kit	RL-SPRK150	4, 4a, 5, 6, 7, 12
305606009	Overhaul Kit	RL-SPRK200	4, 4a, 5, 6, 7, 12
305606010	Overhaul Kit	RL-SPRK150-BR	4, 4a, 5, 6, 7, 12
305606011	Overhaul Kit	RL-SPRK200-BR	4, 4a, 5, 6, 7, 12
305606001	Casing Kit	All RL-SPRK	11
305606012	Seal Kit	All RL-SPRK	4, 4a, 6, 12
305606013	O-Ring, Gasket, Hardware Kit	All RL-SPRK	1, 6, 8, 9, 10, 15
305606002	Impeller/Diffuser Kit	RL-SPRK100	5, 6, 7
305606003	Impeller/Diffuser Kit	RL-SPRK150	5, 6, 7
305606004	Impeller/Diffuser Kit	RL-SPRK200	5, 6, 7
305606005	Impeller/Diffuser Kit	RL-SPRK150-BR	5, 6, 7
305606006	Impeller/Diffuser Kit	RL-SPRK200-BR	5, 6, 7

LIMITED WARRANTY

For warranty consideration, the Red Lion® Brand (hereafter “the Brand”) warrants that the products specified in this warranty are free from defects in material or workmanship of the Brand. During the time periods and subject to the terms and conditions hereinafter set forth, the Brand will repair or replace to the original user or consumer any portion of this product which proves defective due to materials or workmanship of the Brand. At all times the Brand shall have and possess the sole right and option to determine whether to repair or replace defective equipment, parts, or components. The Brand has the option to inspect any product returned under warranty to confirm that the warranty applies before repair or replacement under warranty is approved. This warranty sets forth the Brand’s sole obligation and purchaser’s exclusive remedy for defective product. Return defective product to the place of purchase for warranty consideration.

WARRANTY PERIOD – PRODUCTS: 24 months from date of purchase by the user (No warranty on brushes, impeller or cam on models with brush-type motors and/or flex-vane impellers). In the absence of suitable proof of the purchase date, the effective period of this warranty will begin on the product’s date of manufacture.

LABOR, ETC. COSTS: The Brand shall IN NO EVENT be responsible or liable for the cost of field labor or other charges incurred by any customer in removing and/or affixing any product, part or component thereof.

PRODUCT IMPROVEMENTS: The Brand reserves the right to change or improve its products or any portions thereof without being obligated to provide such a change or improvement for units sold and/or shipped prior to such change or improvement.

GENERAL TERMS AND CONDITIONS: This warranty shall not apply to damage due to acts of God, normal wear and tear, normal maintenance services and the parts used in connection with such service, lightning or conditions beyond the control of the Brand, nor shall it apply to products which, in the sole judgment of the Brand, have been subject to negligence, abuse, accident, misapplication, tampering, alteration; nor due to improper installation, operation, maintenance or storage; nor to excess of recommended maximums as set forth in the instructions.

Warranty will be VOID if any of the following conditions are found:

1. Product is used for purposes other than those for which it was designed and manufactured
2. Product not installed in accordance with applicable codes, ordinances and good trade practices
3. Product connected to voltage other than indicated on nameplate
4. Pump used to circulate anything other than fresh water at approximately room temperature
5. Pump allowed to operate dry (fluid supply cut off)
6. Sealed motor housing opened or product dismantled by customer

DISCLAIMER: Any oral statements about the product made by the seller, the Brand, the representatives or any other parties, do not constitute warranties, shall not be relied upon by the user, and are not part of the contract for sale. Seller’s and the Brand’s only obligation, and buyer’s only remedy, shall be the replacement and/or repair by the Brand of the product as described above. NEITHER SELLER NOR THE BRAND SHALL BE LIABLE FOR ANY INJURY, LOSS OR DAMAGE, DIRECT, INCIDENTAL OR CONSEQUENTIAL (INCLUDING, BUT NOT LIMITED TO, INCIDENTAL OR CONSEQUENTIAL DAMAGES FOR LOST PROFITS, LOST SALES, INJURY TO PERSON OR PROPERTY, OR ANY OTHER INCIDENTAL OR CONSEQUENTIAL LOSS), ARISING OUT OF THE USE OR THE INABILITY TO USE THE PRODUCT, AND THE USER AGREES THAT NO OTHER REMEDY SHALL BE AVAILABLE TO IT. Before using, the user shall determine the suitability of the product for his intended use, and user assumes all risk and liability whatsoever in connection therewith. THE WARRANTY AND REMEDY DESCRIBED IN THIS LIMITED WARRANTY IS AN EXCLUSIVE WARRANTY AND REMEDY AND IS IN LIEU OF ANY OTHER WARRANTY OR REMEDY, EXPRESSED OR IMPLIED, WHICH OTHER WARRANTIES AND REMEDIES ARE HEREBY EXPRESSLY EXCLUDED, INCLUDING BUT NOT LIMITED TO ANY IMPLIED WARRANTY OF MERCHANTABILITY OR FITNESS FOR A PARTICULAR PURPOSE, TO THE EXTENT EITHER APPLIES TO A PRODUCT SHALL BE LIMITED IN DURATION TO THE PERIODS OF THE EXPRESSED WARRANTIES GIVEN ABOVE. Some states and countries do not allow the exclusion or limitations on how long an implied warranty lasts or the exclusion or limitation of incidental or consequential damages, so the above exclusion or limitations may not apply to you. This warranty gives you specific legal rights, and you may also have other rights which vary from state to state and country to country.

**For technical assistance, parts, or repair, please
contact.... 888.885.9254 | redlionproducts.com**



Form 106905105
Rev. 000
01/18



RED LION



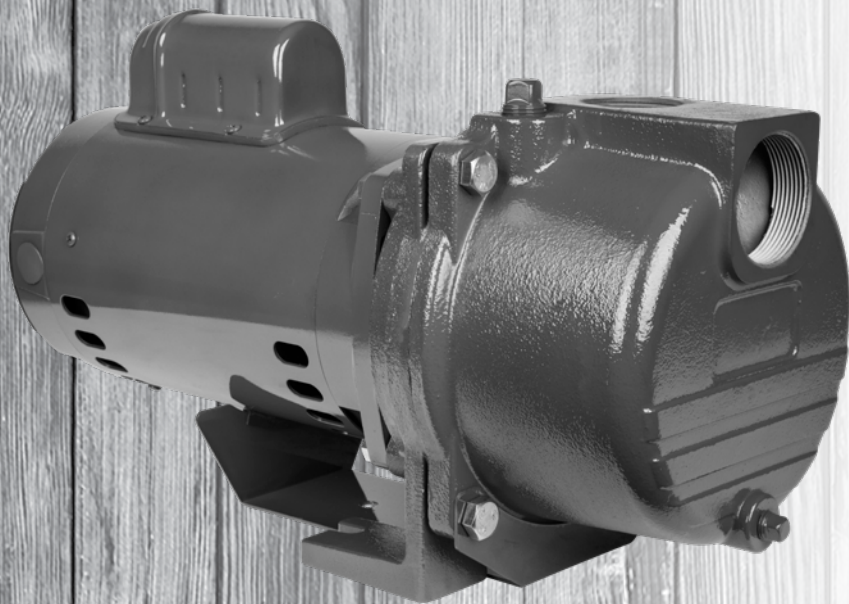
RED LION®

FR

FRANÇAIS

POMPE D'ARROSAGE Série de RL-SPRK

Manuel du propriétaire




LES MODÈLES 1 HP ET 1,5 CV SONT À DOUBLE TENSION (115 V/230 V) ET CONFIGURÉE PAR DÉFAUT POUR 230 V. CONSULTEZ LES DIRECTIVES POUR RÉGLER LA TENSION D'ALIMENTATION POUR LA CONFIGURER POUR 115 V.

Table des matières


Avant de commencer	2
Introduction.....	3
Descriptions des bouchons et tailles de douilles.....	3
Directives de câblage de tension	3
Installation	4
Fonctionnement.....	6
Entretien	7
Guide de dépannage.....	8
Pièces de rechange.....	9
Garantie limitée	10


AVANT DE COMMENCER

Consultez et respectez toutes les directives de sécurité. Consultez les plaques signalétiques du produit pour obtenir des directives d'utilisation et des spécifications additionnelles.

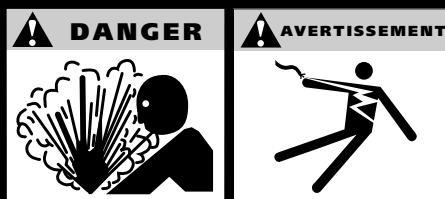
Ceci est le symbole d'alerte de sécurité. Lorsque vous voyez ce  symbole sur votre pompe ou dans ce manuel, recherchez l'un des mots-clés suivants et soyez attentif au risque de blessures ou dommages matériels s'ils sont ignorés :

 **DANGER** informe des dangers qui entraîneront des blessures graves, la mort ou des dommages matériels importants s'il est ignoré.

 **AVERTISSEMENT** informe des dangers qui peuvent entraîner des blessures graves, la mort ou des dommages matériels importants s'il est ignoré.


 **ATTENTION** informe des dangers qui entraîneront ou risquent d'entraîner des blessures mineures ou des dommages matériels importants s'il est ignoré.

 **REMARQUE** indique des instructions spéciales importantes, qui ne sont cependant pas liées à des dangers. Consultez et respectez attentivement toutes les directives de sécurité qui figurent dans ce manuel et sur la pompe.



AVANT D'INSTALLER OU D'UTILISER CETTE POMPE, PRIÈRE DE LIRE LE PRÉSENT GUIDE ET SUIVRE TOUTES LES RÈGLES DE SÉCURITÉ ET INSTRUCTIONS D'UTILISATION.

 **AVERTISSEMENT LIRE ET RESPECTER TOUTES LES INSTRUCTIONS DE SÉCURITÉ.**

 **AVERTISSEMENT PRÉCAUTIONS ÉLECTRIQUES** - Tous câblage, connexions électriques et mise à la terre des systèmes doivent se conformer au Code National d'Electricité (NEC) et aux codes et ordonnances locaux. Employez un électricien autorisé.

 **AVERTISSEMENT CE MOTEUR EST UN MOTEUR BITENSION (115/230 V)** - Les instructions pour changer la tension se trouvent dans ce manuel.

 **REMARQUE** La tension du moteur est d'usine définie d'avance à 230 V.

 **AVERTISSEMENT RISQUE DE CHOC ÉLECTRIQUE**

- Faire appel à un électricien pour l'alimentation électrique du moteur.
- Nous recommandons qu'un circuit distinct soit installé sur le panneau de distribution électrique de la maison et protégé par un fusible ou un disjoncteur.
- Un circuit protégé par un disjoncteur différentiel de fuite à la terre (DDFT) est également recommandé lorsqu'un appareil électrique est utilisé à proximité de l'eau.
- Le Tableau 1 indique les câbles recommandés.
- Le moteur doit être mis à la terre et le couvercle des bornes correctement installé afin de réduire les risques d'électrocution.
- Garder la zone de travail aussi sèche que possible.
- Toujours couper l'alimentation avant de procéder à l'entretien.
- Cette pompe n'est pas conçue pour être utilisée dans une piscine.

 **AVERTISSEMENT SOUPAPE DE SÛRETÉ DE 75 PSI RECOMMANDÉE.**

Cette pompe peut produire une pression élevée. L'installation d'une soupape de sûreté de 75 psi est fortement recommandée.

INTRODUCTION

Cette pompe est idéale pour les systèmes d'arrosage de pelouse et de gazon résidentiels et commerciaux. Cette pompe est adéquate pour les installations où la distance verticale de la pompe à l'eau ne dépasse pas 7,6 m (25 pi), incluant la hauteur de rabattement (moins en haute altitude). Pour les installations déportées, la perte résultant de la friction dans le tuyau d'aspiration doit entrer en ligne de compte (consulter le **Tableau 2, Diagramme de perte de charge, page 8**).

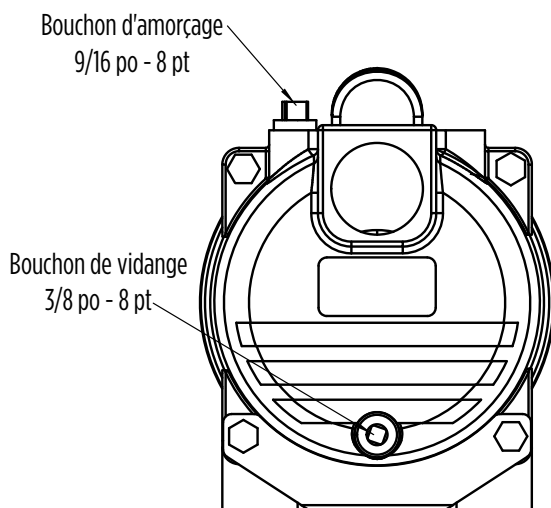
Cette feuille d'instructions vous fournit les informations nécessaires pour entretenir et faire fonctionner votre produit. Conserver ces directives afin de pouvoir les consulter plus tard.

Le produit que vous avez acheté a été soigneusement fabriqué avec des matériaux de la plus haute qualité et a été conçu pour durer longtemps et offrir un service fiable. Les produits sont soigneusement testés, inspectés et emballés afin d'en assurer la sécurité de fonctionnement et une livraison en bonne condition. Vérifier attentivement le produit afin de vous assurer qu'il n'a pas été endommagé pendant le transport. S'il est endommagé, veuillez contacter l'entreprise qui vous l'a vendu. Si une réparation ou un remplacement est requis, elle vous prêtera assistance.

LIRE ATTENTIVEMENT CES DIRECTIVES AVANT DE PROCÉDER À L'INSTALLATION, À L'UTILISATION OU À L'ENTRETIEN DU PRODUIT. SE FAMILIARISER AVEC LES APPLICATIONS, LES LIMITES ET LES RISQUES POTENTIELS DU PRODUIT. ASSURER SA PROPRE PROTECTION ET CELLE DES AUTRES EN SUIVANT TOUTES LES RÈGLES DE SÉCURITÉ. LE NON-RESPECT DE CES DIRECTIVES PEUT ENTRAÎNER DES BLESSURES ET/OU DES DOMMAGES MATÉRIELS!

DESCRIPTIONS DES BOUCHONS ET TAILLES DE DOUILLES

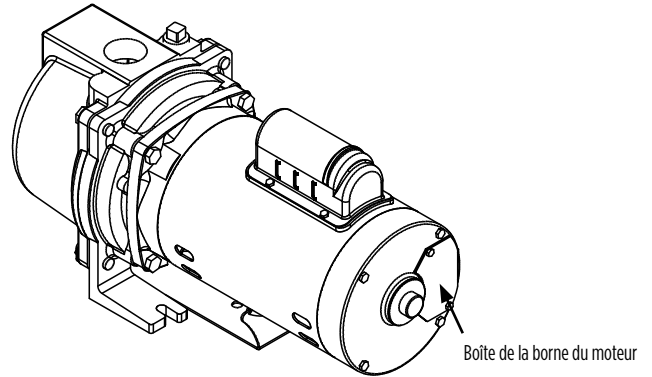
▲ REMARQUE N'utilisez pas de clés ouvertes pour desserrer les bouchons. Cela pourrait endommager les bouchons ou les rendre difficiles à retirer.



DIRECTIVES DE CÂBLAGE DE TENSION

Pour modifier la tension d'alimentation de la pompe par rapport à la tension réglée en usine à 230V, un électricien qualifié devrait :

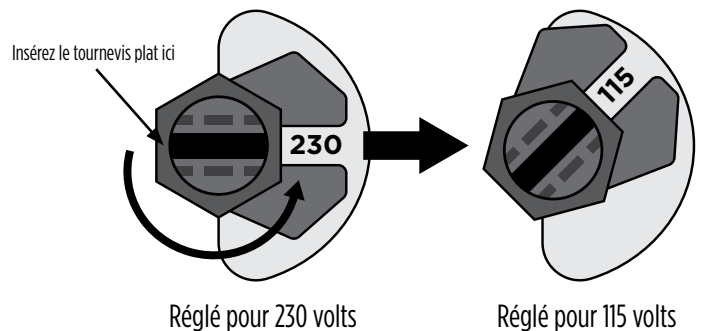
1. Couper l'alimentation électrique de la pompe.
2. Retirer le couvercle de boîtier de connexions du moteur.



POUR LES MODÈLES DE 1 CV

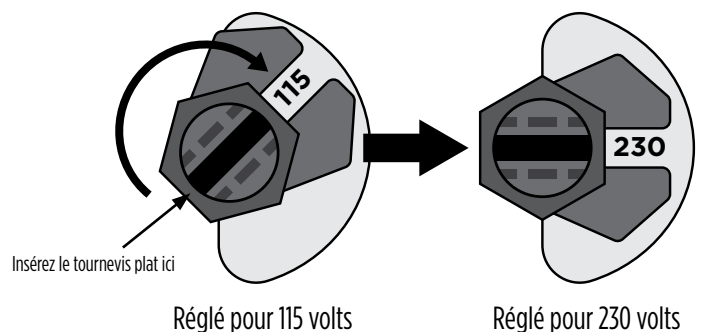
Changement de tension de 230 volts à 115 volts :

Le découpage dans l'indicateur de changement de tension montrera 230 en évidence comme indiqué ci-dessous. Insérez un tournevis plat dans l'indicateur de changement de tension noir. Pour passer de 230 volts à 115 volts, tournez l'indicateur de changement de tension dans le sens des aiguilles d'une montre jusqu'à ce que 115 s'affiche dans la découpe.

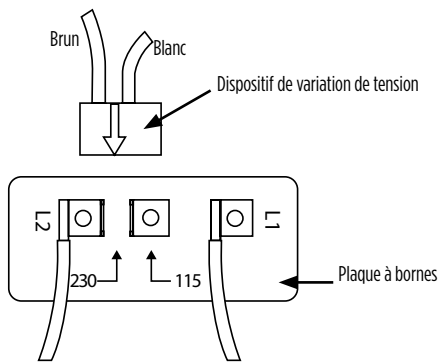


Changement de tension de 115 volts à 230 volts :

Le découpage dans l'indicateur de changement de tension montrera 115 en évidence comme indiqué ci-dessous. Insérez un tournevis plat dans l'indicateur de changement de tension noir. Pour passer de 115 volts à 230 volts, tournez l'indicateur de changement de tension dans le sens des aiguilles d'une montre jusqu'à ce que 230 s'affiche dans la découpe.



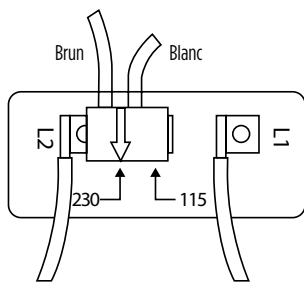
POUR LES MODÈLES DE 1,5 CV



#1

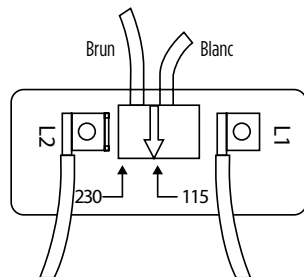
Dans la figure 1, l'interrupteur du moteur est montré avant que le dispositif de variation de tension soit abaissé sur les bornes de tension.

REMARQUE : LES FILS SUR L1 ET L2 NE DOIVENT PAS ÊTRE ENLEVÉS.



#2 (réglé à 230 V)

Dans la figure 2, l'interrupteur du moteur est réglé à 230 V. La flèche blanche sur le dispositif de variation de tension pointe directement vers la pointe de la flèche de la plaque à bornes à 230 V.



#3 (réglé à 115 V)

Dans la figure 3, l'interrupteur du moteur est réglé à 115 V. La flèche blanche sur le dispositif de variation de tension pointe directement vers la pointe de la flèche de la plaque à bornes à 115 V.

POUR LES MODÈLES DE 2 CV

La tension pour les modèles de 2 CV est réglée de façon permanente à 230 volts. 115 volts n'est pas une option.

Tableau 1

MOTEUR		JAUGE (AMÉRICAIN) DES FILS				
CV	Volts	25 pi (8 m)	50 pi (15 m)	100 pi (30 m)	150 pi (46 m)	200 pi (61 m)
1	115	14	12	10	8	6
	230	14	14	14	14	12
1,5	115	12	12	8	6	6
	230	14	14	14	12	12
2	230	14	14	14	12	10

INSTALLATION

Emplacement de la pompe

Il est conseillé d'installer la pompe dans un endroit propre, sec et aéré offrant un bon drainage, de l'espace pour l'entretien et une protection contre le gel.

⚠ ATTENTION la pompe doit être protégée des éléments et des températures de congélation. Le moteur n'est pas étanche.

Il faudrait la boulonner bien à plat à une assise solide, de préférence en béton, afin de prévenir les contraintes inutiles. Pour réduire les pertes de charge dans la conduite d'aspiration et obtenir le débit maximal, rapprocher le plus possible la pompe de l'eau à pomper. **Utilisez un clapet de pied.**

Conduite d'aspiration

Il est recommandé d'utiliser un tuyau ou un boyau neuf et propre dont le diamètre est égal au taraudage de l'orifice d'aspiration. Si la pompe se trouve à une distance assez importante de la source d'alimentation en eau, le diamètre de la conduite d'aspiration devrait être plus grand. La conduite d'aspiration doit toujours être placée en pente ascendante à partir de la source d'eau vers la pompe, pour éviter la formation de poches d'air dans la conduite. Il est conseillé d'utiliser un coude de 90° ou de 45° dans la conduite d'aspiration. L'amorçage peut ainsi se faire plus rapidement et prévenir le tortillement du boyau. Si un volume d'eau important est requis pendant une période prolongée, la conduite d'aspiration devrait être aussi à l'horizontale que possible par rapport à la pompe. Il est également conseillé d'enduire les joints et les raccords de tuyau, d'une graisse pour filetage non toxique et de bien les serrer. L'extrémité inférieure de la conduite d'aspiration devrait être munie d'une crépine immergée en tout temps.

⚠ AVERTISSEMENT PRÉCAUTIONS ÉLECTRIQUES

Le câblage, les connexions électriques et les mises à la terre des systèmes doivent être conformes au Code national de l'électricité (NEC) et aux ordonnances et codes locaux. Faire appel à un électricien autorisé.

⚠ AVERTISSEMENT RISQUE DE CHOC ÉLECTRIQUE

Mise à la terre du moteur

Le câblage de cette pompe doit être installé et entretenu conformément au Code national de l'électricité ou aux ordonnances et codes d'électricité locaux. Pour de plus amples renseignements, consultez un électricien autorisé ou votre propre compagnie d'électricité.

Il est recommandé de faire une mise à la terre permanente, au moyen d'un conducteur de dimension appropriée, fixé à une conduite d'eau souterraine ou la borne de mise à la terre dans le panneau de service. Éviter de brancher à un tuyau d'alimentation de gaz. Ne pas raccorder à la source d'alimentation électrique avant que l'unité soit mise à la terre en permanence. Brancher le fil de masse à la prise de terre approuvée, puis raccorder le fil à la cosse de m.a.l.t. sur la pompe.

⚠ AVERTISSEMENT RISQUE DE CHOC ÉLECTRIQUE

Câblage: S'assurer que la tension et la fréquence de l'alimentation en électricité sont en accord avec la tension de la pompe. Dans le doute, vérifiez auprès de votre compagnie d'électricité. Brancher les fils d'alimentation sur la plaque à bornes située sous le boîtier de la borne du moteur.

Puits de Surface Unique (Figure 4)

Un puits de surface unique consiste habituellement en un puits foré muni d'un tubage en acier ou plastique de 1,2 à 1,8 m (4 à 6 pi) posé verticalement dans le sol. La surface de l'eau devait se trouver à une profondeur d'au plus 8 m (25 pi).

Raccordez le clapet de pied à la première longueur de tuyau d'aspiration et descendez-le dans le puits. Ajoutez des sections de tuyau au besoin et raccordez-les de façon étanche à l'aide d'une des méthodes décrites plus haut. Le clapet de pied doit se trouver à AU MOINS 1,5 m (5 pi) sous la surface de l'eau pour tenir compte des abaissements éventuels du niveau d'eau. Fermez le dessus du tubage de puits de 1,2 à 1,8 m (4 à 6 pi) à l'aide d'un couvercle d'étanchéité pour empêcher tout débris de tomber dans le puits.

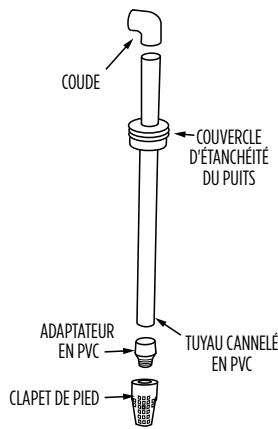


Figure 4

A. Raccord de l'orifice d'aspiration (Figure 5)

1. Raccordez le clapet de pied ou la pointe filtrante au système de conduites et descendez la conduite avec le clapet de pied jusqu'à une profondeur d'au moins 1,5 m (5 pi) en dessous du niveau de l'eau. Si vous utilisez un puits, attachez le tuyau provisoirement au tubage pour l'empêcher de glisser dans le puits. Si le puits est muni d'un tubage de 1,2 ou 1,8 m (4 ou 6 pi), fermez-le à l'aide d'un couvercle d'étanchéité. Il ne faut jamais utiliser une conduite d'aspiration d'un diamètre inférieur au diamètre de l'orifice d'aspiration de la pompe.

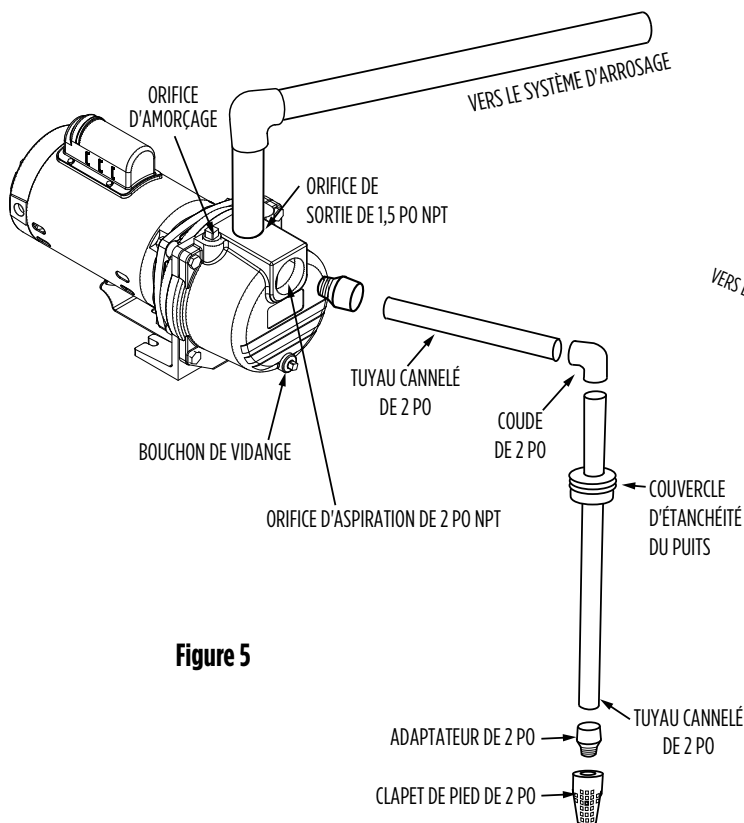


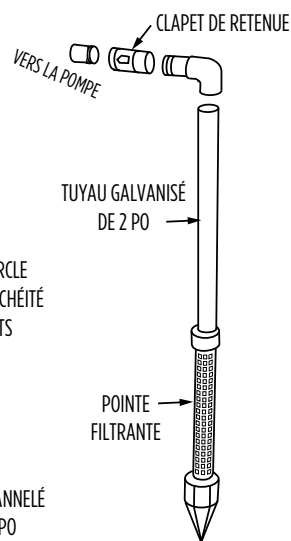
Figure 5

2. Raccordez les coudes, raccords, clapets de retenue et tuyaux de la source d'eau jusqu'à l'orifice d'aspiration à l'avant de la pompe. Si vous utilisez un système de conduites en PVC, assemblez les tuyaux et raccords vers la pompe AVANT d'appliquer le ciment-colle à PVC pour vérifier l'exactitude de l'assemblage. Utilisez du ruban à joints sur tous les filetages mâles en les entourant d'une à deux couches dans le sens des aiguilles d'une montre (en faisant face au tuyau). Serrez tous les raccords filetés. NE PAS TROP SERRER LES RACCORDS ET LES TUYAUX. Serrez les raccords à la main et ajoutez demi-tour à l'aide d'une clé.

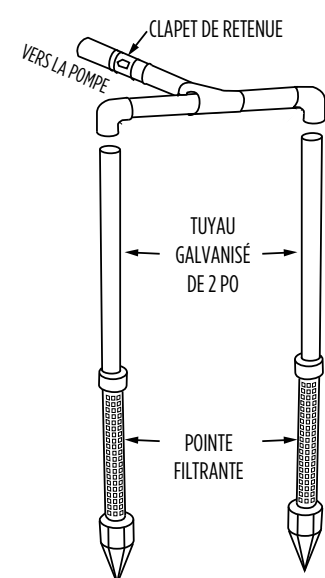
B. Raccords de Sortie (Figure 6)

1. Vissez l'adaptateur mâle ou le mamelon dans la sortie sur le dessus de la pompe. (Entourez le filetage de ruban à joints.)
2. Raccordez la conduite entre le manifold de l'arroseur et la sortie de la pompe. La dimension de la conduite de sortie doit augmenter avec la longueur de tuyau utilisée. Le diamètre du tuyau de sortie peut correspondre à celui de la sortie de pompe pour des longueurs de conduite allant jusqu'à 30 m (100 pi). Utilisez un tuyau plus grand d'une taille pour des longueurs de 30 à 90 m (100 à 300 pi). Pour des longueurs de 90 à 180 m (300 à 600 pi), le diamètre doit être plus grand de deux tailles. Ceci réduira les pertes de charge.
3. Serrez tous les raccords filetés à l'aide d'une clé à tuyau. Évitez de trop serrer.

INSTALLATION À PUIS UNIQUE



INSTALLATION SUR RÉSEAU DE POINTES FILTRANTES



FUNCTIONNEMENT

⚠ AVERTISSEMENT Il ne faut JAMAIS faire fonctionner une pompe contre une sortie d'eau fermée. Ceci risque de causer une pression dangereuse et un risque d'explosion.

⚠ MISE EN GARDE de ne pas faire fonctionner la pompe à sec avant l'amorçage, sinon le joint d'étanchéité et la roue de turbine seraient endommagés de façon permanente.

⚠ MISE EN GARDE NE JAMAIS faire démarrer la pompe à sec, car la garniture d'étanchéité pourrait s'endommager.

⚠ MISE EN GARDE Il ne faut JAMAIS faire fonctionner une pompe à sec. Remplissez la pompe d'eau avant le démarrage. La mise en marche à sec d'une pompe risque de causer des dommages et annulera la garantie.

Pour amorcer la pompe, il faut enlever le bouchon d'amorçage se trouvant sur le dessus de l'unité, remplir la pompe d'eau et remettre le bouchon en place. La durée d'amorçage est fonction de la distance horizontale et verticale entre la pompe et le niveau de l'eau.

1. Retirez le bouchon de l'orifice d'amorçage de la pompe (Figure 7).
2. Ouvrez les robinets de refoulement et toutes les conduites de sortie de la pompe.
3. Remplissez la pompe d'eau par l'orifice d'amorçage sur le dessus de la pompe. Permettez à l'air emprisonné de s'échapper pendant quelques minutes, puis ajoutez plus d'eau jusqu'à ce que la pompe soit remplie.
4. Remettez le bouchon de l'orifice d'amorçage en place et serrez-le à l'aide d'une clé après avoir entouré les filetages des tuyaux avec du ruban à joints.
5. Démarrez la pompe. Une pompe bien amorcée doit montrer un débit d'eau constant, libre de bulles d'air et à une pression constante. S'il n'y a aucun débit d'eau après cinq minutes, arrêtez la pompe, libérez toute la pression, retirez le bouchon de l'orifice d'amorçage, ajoutez de l'eau, remettez le bouchon en place et essayez de nouveau. Assurez-vous qu'un clapet de pied est installé correctement sur la conduite d'aspiration (Figure 5). Si la conduite d'aspiration est très longue, l'eau contenue dans le boîtier peut surchauffer ou produire une cavitation. Le cas échéant, remplacer l'eau du boîtier par de l'eau froide et continuer l'amorçage.

⚠ ATTENTION

Ne jamais faire fonctionner la pompe à sec, car la garniture d'étanchéité pourrait s'endommager.

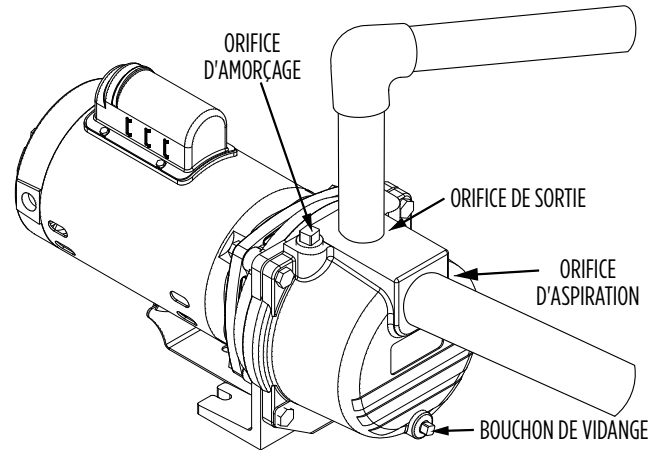


Figure 6

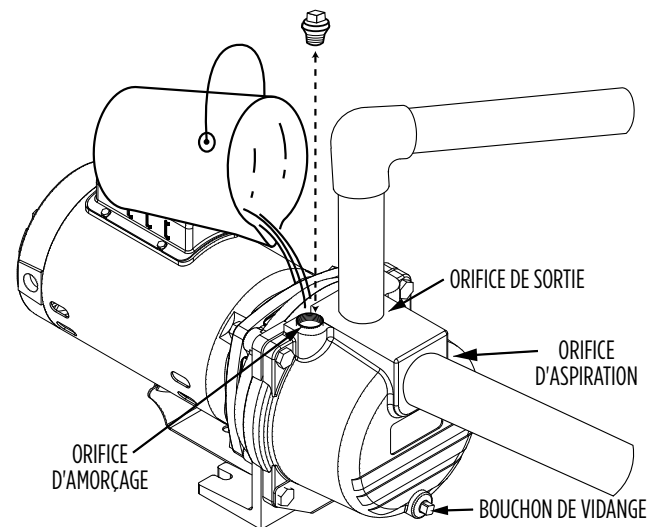


Figure 7

ENTRETIEN

⚠ AVERTISSEMENT PRÉCAUTIONS ÉLECTRIQUES

Tout câblage, connexions électriques et mise à la terre des systèmes doivent se conformer au Code National d'Electricité (NEC) et aux codes et ordonnances locaux. Employez un électricien autorisé.

⚠ AVERTISSEMENT RISQUE DE CHOC ÉLECTRIQUE

- Pour l'installation électrique du moteur, faites appel à un électricien.
- Le moteur doit être mis à la terre et le couvercle des bornes correctement installé afin de réduire les risques d'électrocution.
- Garder la zone de travail aussi sèche que possible.
- L'usage d'un circuit protégé par interrupteur de défaut à la terre (GFI) est recommandé avec tout appareil électrique fonctionnant dans l'eau ou à proximité de celle-ci.
- Toujours couper l'alimentation avant de procéder à l'entretien.
- Cette pompe n'est pas conçue pour être utilisée près d'une piscine.

Lubrification : The pump requires no lubrication.

Vidange

Si la pompe est exposée au gel, il faudra la vidanger complètement. Pour ce faire, enlever le bouchon de vidange situé dans la partie inférieure du devant du boîtier ainsi que le bouchon d'amorçage et s'assurer que l'orifice de vidange n'est pas obstrué. Dès que toute l'eau est évacuée, faire fonctionner la pompe pendant quelques secondes pour éliminer toute eau subsistante dans la roue (veiller également à l'évacuation de toute eau dans la conduite d'aspiration).

Entreposage de la pompe

Évacuer tout le liquide contenu dans la pompe afin de prévenir les bris causés par le gel. Il est recommandé d'appliquer un bon agent antirouille dans le boîtier afin d'empêcher la formation excessive de corrosion. S'assurer que le moteur est toujours au sec et couvert. Au moment de remettre la pompe en marche, remplacer tous les bouchons et vérifier l'étanchéité parfaite de tous les raccordements. Après une vérification complète, amorcer la pompe en suivant les directives de la rubrique FONCTIONNEMENT.

Démontage

(Voir figure 8 de la section PIÈCES DE RECHANGE.)

1. Coupez l'alimentation de la pompe au panneau de distribution et déconnectez les fils des bornes d'alimentation du moteur.
 2. Ouvrez un robinet du système d'eau pour le dépressuriser.
 3. Retirez les bouchons de drainage et de remplissage (8, 10) pour vidanger la pompe.
 4. Retirez les quatre boulons (9), le boîtier (11), le joint (12) et le joint torique (6).
 5. Retirez le diffuseur (7) pour séparer le diffuseur (13) de l'adaptateur de moteur (3). Retirez le bouchon (16) et insérez un tournevis pour empêcher la rotation du la tige tout en dévissant la roue de turbine (5). Si la roue de turbine ne peut pas être dévissée à la main, insérez un objet plat dans une aube de la roue.
- REMARQUE :** Utilisez une clé à bande sur le moyeu de la roue de turbine pour la dévisser.
6. Faites glisser le joint de rotation (4) hors du moyeu de la roue.
 7. Pour remplacer le siège du joint (4a), retirez les quatre boulons pour enlever l'adaptateur de boîtier (3) pour le séparer du moteur (2). Poussez le siège du joint (4a) hors de l'adaptateur de boîtier du côté du moteur.

Remontage

1. Avant de remonter les pièces, nettoyez-les à fond.
 2. Lubrifiez légèrement à l'eau savonneuse le bouchon de caoutchouc du joint de céramique (4) et poussez le dans l'adaptateur (3) avec vos pouces seulement. Assurez-vous que la surface lisse du joint soit placée vers l'extérieur.
- REMARQUE :** Si vous prévoyez garder la pompe hors service pour une période plus grande qu'une semaine, les composants d'étanchéité doivent être installés secs (sans lubrification).
3. Remplacez l'adaptateur sur le moteur avec les quatre boulons retirés précédemment.
 4. Lubrifiez le sceau de rotation (4) avec de l'eau savonneuse et faites-le glisser sur le moyeu de la roue de turbine en plaçant l'anneau de carbone en direction du siège de céramique. Avant d'installer la roue, enduisez les filets de l'arbre de scellant à filets avec verrou par vissage.
 5. Remplacez la roue de turbine (5) et le diffuseur (13).
 6. Remplacez le boîtier (11) en prenant soin de ne pas endommager le joint (12) et le joint torique (6) et en vous assurant qu'il est bien placé.
 7. Raccordez les boyaux au boîtier et le pressostat.
 8. Reconnectez l'alimentation.
 9. **Amorcez la pompe**, démarrez la pompe et vérifiez s'il y a des fuites.

Tableau 2 - DIAGRAMME DE PERTE DE CHARGE DES CONDUITES DE PLASTIQUE*

Perte de hauteur totale de charge en pieds, causée par le frottement (100 pieds de conduite)

Diamètre nominal de conduite Gal. US/min.	3/4 po	1 po	1-1/4 po	1-1/2 po	2 po
4	3.75	1.15	0.30	0.14	-
5	5.66	1.75	0.46	0.22	-
6	7.95	2.45	0.65	0.31	-
7	10.60	3.25	0.86	0.41	-
8	13.50	4.16	1.10	0.52	-
9	16.80	5.17	1.35	0.65	-
10	20.40	6.31	1.67	0.79	0.23
11	24.40	7.58	1.98	0.95	0.27
12	28.60	8.85	2.33	1.10	0.32
14	38.00	11.80	3.10	1.46	0.43
16	48.60	15.10	3.96	1.87	0.55
18	60.50	18.70	4.93	2.33	0.69
20	73.50	22.80	6.00	2.83	0.84

Perte de hauteur totale de charge en mètres, causée par le frottement (par 100 mètres de conduite)

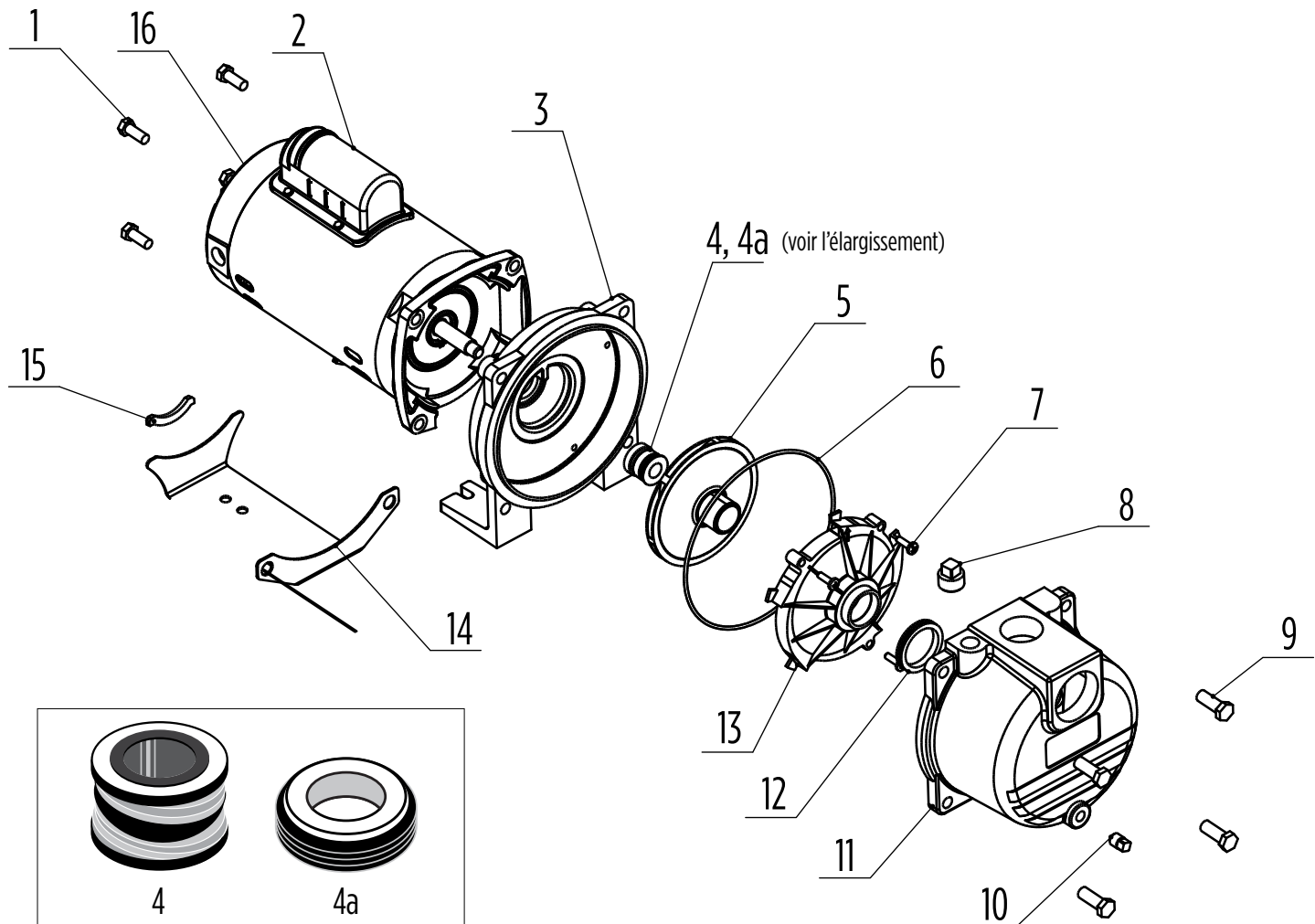
Diamètre nominal de conduite L/Min.	20 mm	25 mm	32 mm	40 mm	50 mm
15	3.7	1.15	0.30	0.13	-
20	5.3	1.64	0.43	0.19	-
25	7.1	2.18	0.56	0.27	-
30	13.5	4.13	1.08	0.49	-
35	16.3	5.00	1.31	0.61	-
40	23.5	7.30	1.90	0.88	0.25
45	28.3	8.74	2.31	1.07	0.29
50	34.2	10.60	2.79	1.32	0.38
55	40.7	12.60	3.32	1.56	0.46
60	48.1	14.90	3.92	1.85	0.54
65	55.7	17.30	4.45	2.15	0.63
70	63.8	19.70	5.20	2.46	0.73
75	72.2	22.40	5.89	2.78	0.83

*Dans le cas de conduites d'acier galvanisé, doublez les chiffres ci-dessous.

GUIDE DE DÉPANNAGE

Problèmes	Cause Probables	Solutions
Aucun pompage	La pompe n'est pas bien amorcée.	Assurez vous que le bâti de la pompe et la conduite d'aspiration sont remplis d'eau. Suivre les directives d'amorçage.
	Le régime est trop faible.	⚠ AVERTISSEMENT Précautions relatives à l'électricité Le câblage, les connexions électriques et les mises à la terre des systèmes doivent être conformes au Code national de l'électricité (NEC) et aux ordonnances et codes locaux. Consulter un électricien autorisé. Mesurez la tension aux bornes du moteur et le au tableau de distribution pendant le pompage. Si la tension est trop faible, consulter les directives de câblage ou communiquer avec votre compagnie d'électricité. Assurez vous que toutes les connexions sont bien serrées.
	La profondeur totale du puits est plus grande que la capacité de la pompe.	Une pompe conçue pour une plus grande tête d'eau est requise.
	La distance de succion en élévation est trop grande	Rapprocher la pompe de la source d'alimentation d'eau. S'assurer que les conduites d'aspiration sont de diamètre suffisant..
Perte de capacité ou tête d'eau réduite	Fuites ou poches d'air dans la conduite d'aspiration.	Inspecter la tuyauterie d'aspiration.
	Aubes de roue de turbine encrassées.	Retirez la roue et nettoyez ses aubes.
	Crépine trop petite ou obstruée.	Installer une plus grande crépine ou nettoyer celle en place.
	La conduite d'aspiration n'est pas bien immergée.	Rajouter des sections à la conduite d'aspiration afin d'en maintenir l'extrémité bien immergée.
	La hauteur géométrique d'aspiration est trop élevée.	Si le problème est causé par une trop grande friction à l'intérieur de la conduite d'aspiration, augmenter le diamètre du tuyau ou rapprocher la pompe de la source d'eau.
	La tête d'eau excède la capacité de la pompe.	Une pompe conçue pour une plus grande tête d'eau est requise.
	La roue est trop usée.	Commandez une nouvelle pièce. Consulter la liste des pièces de rechange.
Perte d'amorçage	Fuites d'air dans la conduite d'aspiration.	Inspecter la tuyauterie d'aspiration.
	Hauteur géométrique d'aspiration trop grande et trop rapprochée de la pression à débit nul.	Rapprocher la pompe du niveau de l'eau.
	Le niveau d'eau baisse pendant le pompage et met la conduite d'aspiration à l'air libre.	Vérifier la source d'eau. Rajouter une section à la conduite d'aspiration afin d'en maintenir l'extrémité sous l'eau.
Problèmes mécaniques et bruits	Arbre voilé ou paliers endommagés ou les deux.	Faire vérifier le moteur dans un atelier de réparation reconnu.
	Les tuyaux d'aspiration ou de refoulement ne sont pas bien soutenus ou assujettis.	S'assurer que toutes les canalisations sont bien retenues et n'exercent aucune contrainte sur l'installation de la pompe.

PIÈCES DE RECHANGE (Figure 8)



Article #	Description de l'article	Où utilise	Contenus
305606007	Trousse de révision	RL-SPRK100	4, 4a, 5, 6, 7, 12
305606008	Trousse de révision	RL-SPRK150	4, 4a, 5, 6, 7, 12
305606009	Trousse de révision	RL-SPRK200	4, 4a, 5, 6, 7, 12
305606010	Trousse de révision	RL-SPRK150-BR	4, 4a, 5, 6, 7, 12
305606011	Trousse de révision	RL-SPRK200-BR	4, 4a, 5, 6, 7, 12
305606001	Trousse de boîtier	All RL-SPRK	11
305606012	Trousse de joint d'arbre	All RL-SPRK	4, 4a, 6, 12
305606013	Trousse de joint d'étanchéité/quincaillerie	All RL-SPRK	1, 6, 8, 9, 10, 15
305606002	Trousse de turbine/diffuseur	RL-SPRK100	5, 6, 7
305606003	Trousse de turbine/diffuseur	RL-SPRK150	5, 6, 7
305606004	Trousse de turbine/diffuseur	RL-SPRK200	5, 6, 7
305606005	Trousse de turbine/diffuseur	RL-SPRK150-BR	5, 6, 7
305606006	Trousse de turbine/diffuseur	RL-SPRK200-BR	5, 6, 7

GARANTIE LIMITÉE

Lors des requêtes en garantie, la marque de Red Lion® (ci-après appelé « la Marque ») garantit les produits spécifiés dans cette garantie contre tout défaut de matériaux et de main-d'oeuvre. Pendant les périodes couvertes par la garantie et selon les conditions indiquées dans la présente, la Marque réparera ou remplacera toute partie de ce produit présentant une défaillance liée aux matériaux ou à la main-d'oeuvre, et ce uniquement auprès du premier utilisateur ou acheteur. En tout temps, la Marque conserve le droit et l'option de déterminer si un équipement, des pièces ou des composants défectueux doivent être réparés ou remplacés. La Marque peut inspecter tout produit sous garantie qui lui est retourné afin de confirmer que la garantie s'applique, avant d'approuver la réparation ou le remplacement. Cette garantie stipule l'unique obligation de la Marque et le recours exclusif de l'acheteur pour un produit défectueux. Retourner le produit défectueux au détaillant pour les requêtes en garantie.

PÉRIODE DE GARANTIE – PRODUITS : 24 mois à partir de la date d'achat par l'utilisateur. (Aucune garantie n'est offerte pour les balais, le rotor ou la came sur les modèles avec moteur à balais et/ou rotor flexible à palettes.) En l'absence d'une preuve adéquate de la date d'achat, la période d'application commencera à partir de la date de fabrication.

COÛTS DE MAIN-D'OEUVRE, ETC. : EN AUCUN CAS l'Entreprise ne pourra être tenue responsable du coût de la main-d'oeuvre ou d'autres frais encourus par un client lors de la dépose et/ou de la réparation d'un produit, d'une partie ou d'un composant.

AMÉLIORATIONS DU PRODUIT : L'Entreprise se réserve le droit de modifier ou d'améliorer ses produits, ou une quelconque de leur partie, sans obligation de fournir une telle modification ou amélioration aux appareils déjà vendus et/ou expédiés avant que de telles modifications ou améliorations n'aient été apportées.

CONDITIONS ET MODALITÉS GÉNÉRALES : Cette garantie ne couvre pas les dommages causés par une catastrophe naturelle, l'usure normale, la foudre ou des conditions hors du contrôle de l'Entreprise ; et elle ne couvre pas non plus les services d'entretien normaux et aux pièces usées associés à un tel service, ni les produits qui, selon le jugement exclusif de l'Entreprise, ont été exposés à la négligence, l'abus, un accident, une application inappropriée, une altération, une modification ; ni aux dommages causés par une installation, une utilisation, un entretien ou un entreposage inadéquat ; ni à une utilisation au-delà des maximums.

La garantie est NULLE si l'une des conditions suivantes s'applique :

1. Le produit est utilisé pour des applications autres que celles pour lesquelles il a été conçu et fabriqué.
2. Le produit n'est pas installé dans le respect des codes et règlements applicables et selon les bonnes pratiques acceptées dans l'industrie.
3. Le produit a été branché à une tension autre que celle indiquée sur la plaque signalétique.
4. La pompe a été utilisée avec des liquides autres que de l'eau douce approximativement à la température ambiante.
5. La pompe a fonctionné à sec (alimentation en liquide coupée).
6. Le carter moteur scellé a été ouvert ou le produit a été démonté par le client.

AVIS DE NON-RESPONSABILITÉ : Toute déclaration verbale portant sur le produit, faite par le vendeur, l'Entreprise, les représentants ou toute autre partie ne constitue pas une garantie et ne peut être considérée par l'utilisateur comme faisant partie du contrat de vente. La seule obligation du vendeur ou de l'Entreprise et le seul recours de l'acheteur est le remplacement et/ou la réparation du produit par l'Entreprise, comme il est décrit ci-dessus. LE VENDEUR OU L'ENTREPRISE NE PEUT ÊTRE TENU RESPONSABLE POUR TOUTE BLESSURE, PERTE OU DOMMAGE DIRECT, INDIRECT OU CONSÉCUTIF (INCLUANT MAIS SANS S'Y LIMITER LES DOMMAGES INDIRECTS OU CONSÉCUTIFS LIÉS À UNE PERTE DE PROFITS, UNE PERTE DE VENTES, DES BLESSURES OU DES DOMMAGES MATÉRIELS, OU TOUT AUTRE INCIDENT OU PERTE CONSÉCUTIVE), RÉSULTANT DE L'UTILISATION OU DE L'IMPOSSIBILITÉ D'UTILISER LE PRODUIT ; DE PLUS, L'UTILISATEUR ACCEPTE QU'AUUCUN AUTRE RECOURS N'EST DISPONIBLE. Avant de commencer à utiliser le produit, l'utilisateur doit déterminer si ce produit est adapté à l'usage prévu ; et l'utilisateur assume tous les risques et toutes les responsabilités qui sont liés à cette utilisation. LA GARANTIE ET LES MESURES CORRECTIVES DÉCRITES DANS LA PRÉSENTE GARANTIE LIMITÉE CONSTITUENT UNE GARANTIE ET DES MESURES CORRECTIVES EXCLUSIVES EN LIEU ET PLACE DE TOUTE AUTRE GARANTIE ET MESURE CORRECTIVE, EXPRESSE OU IMPLICITE ; ET TOUTE AUTRE GARANTIE ET MESURE CORRECTIVE EST EXPRESSÉMENT EXCLUE, INCLUANT, MAIS SANS S'Y LIMITER, TOUTE GARANTIE IMPLICITE DE QUALITÉ MARCHANDE OU D'ADAPTATION À UN USAGE PARTICULIER. Certaines juridictions et certains pays interdisent les exclusions ou les limitations de durée d'une garantie implicite ou l'exclusion ou la limitation des dommages indirects ou consécutifs ; les limitations ou exclusions ci-dessus pourraient donc ne pas s'appliquer à votre cas. Cette garantie vous donne des droits légaux spécifiques et vous pourriez également jouir d'autres droits qui varient selon la juridiction ou le pays.

Pour l'aide technique, des parties ou la réparation, entrez s'il vous plaît en contact.... 888.885.9254 | redlionproducts.com



Form 106905105
Rév. 000
01/18



RED LION

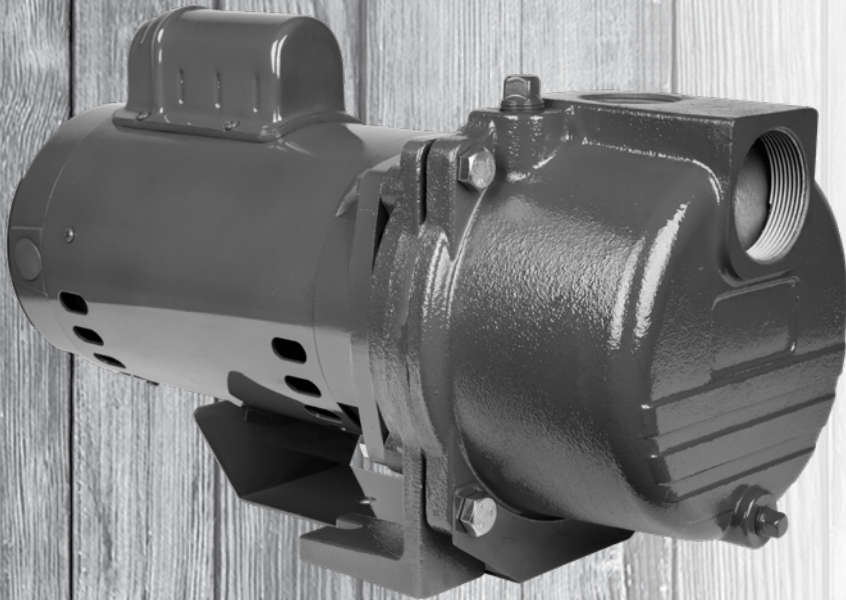


RED LION®

ES ESPAÑOL

BOMBA PARA RIEGO Serie de RL-SPRK

Manual del propietario




LOS MODELOS DE 1 HP Y 1-1/2 HP SON DE DOBLE VOLTAJE (115/230 VOLTIOS) ESTÁ CONFIGURADA DE FÁBRICA PARA 230 VOLTIOS. VER INSTRUCCIONES DE AJUSTE DE VOLTAJE PARA CONFIGURAR A 115 V.

Índice


Antes de empezar.....	2
Introducción	3
Descripción de los tapones y tamaño de los casquillos.....	3
Instrucciones de cableado de tensión	3
Instalación	4
Funcionamiento.....	6
Mantenimiento.....	7
Guía para solucionar problemas	8
Piezas de recambio.....	9
Garantía limitada.....	11


ANTES DE EMPEZAR


Lea y siga las instrucciones de seguridad. Consulte las placas de datos del producto para obtener instrucciones de operación y especificaciones adicionales.

Este es un símbolo de alerta de seguridad. Cuando vea este  símbolo en su bomba o en este manual, busque alguna de las siguientes palabras de señalización y esté alerta a la posibilidad de lesiones personales o daños a la propiedad si se ignoran:

 PELIGRO advierte sobre peligros que ocasionarán lesiones personales graves, muerte o daños de consideración a la propiedad si se ignoran.

 ADVERTENCIA advierte sobre peligros que pueden ocasionar lesiones personales graves, muerte o daños de consideración a la propiedad si se ignoran.


 PRECACIÓN advierte sobre peligros que ocasionarán o podrán ocasionar lesiones personales menores o daños de consideración a la propiedad si se ignoran.

 AVISO indica instrucciones especiales que son importantes pero no están relacionadas con los peligros. Lea atentamente y siga todas las instrucciones de seguridad en este manual y en la bomba.



LEA ESTE MANUAL Y SIGA TODAS LAS REGLAS DE SEGURIDAD ANTES DE INSTALAR U OPERAR ESTA BOMBA.

 ADVERTENCIA LEA Y SIGA TODAS LAS INSTRUCCIONES DE SEGURIDAD.

 ADVERTENCIA **PRECAUCIONES ELÉCTRICAS** - Todo cableado, conexiones eléctricas y sistemas de contacto a tierra deben cumplir con el Código Eléctrico Nacional (NEC) y con cualquier código y ordenanza local. Contrate los servicios de un electricista con licencia.

 ADVERTENCIA **ESTE ES UN MOTOR DE DOBLE VOLTAJE (115/230 V)** - Las instrucciones para cambiar el voltaje se encuentran en este manual.

 AVISO El voltaje de motor es de la fábrica predeterminado en 230 V.

 ADVERTENCIA **RIESGO DE DESCARGA ELÉCTRICA**

- Haga que un electricista le conecte la electricidad al motor.
- Se recomienda tender un circuito independiente desde el panel de distribución eléctrica de la vivienda que esté adecuadamente protegido con un fusible o un disyuntor.
- Se recomienda también usar un circuito con protección de interruptor por falla a tierra (Ground Fault Interrupter, GFI) con cualquier dispositivo eléctrico en funcionamiento cerca del agua.
- Vea en la Tabla 1 el tamaño de cable recomendado.
- El motor debe estar conectado a tierra y la tapa del terminal debe estar en su sitio para reducir el riesgo de una descarga eléctrica.
- Mantenga el área de operación del motor tan seca como sea posible.
- Desconecte siempre la electricidad antes de darle servicio.
- No se ha investigado su uso en el área de albercas o piscinas.

 ADVERTENCIA **SE RECOMIENDA UNA VÁLVULA DE ALIVIO DE PRESIÓN DE 75 PSI**

Esta bomba es capaz de producir una elevada presión. Es muy recomendable que se instale una válvula de alivio de presión de 75 psi.

INTRODUCCIÓN

Esta bomba es ideal tanto para sistemas de rociadores para céspedes residenciales como comerciales. Esta bomba es adecuada para las instalaciones donde la distancia vertical desde la bomba hasta el nivel del agua no es mayor de 25 pies (7.6 m), incluido el descenso de nivel (menos a altitudes mayores). En las instalaciones inclinadas, se deben tomar en cuenta las pérdidas por fricción en la tubería de succión (consulte la **Tabla 2, Tabla de pérdida por fricción, página 8**).

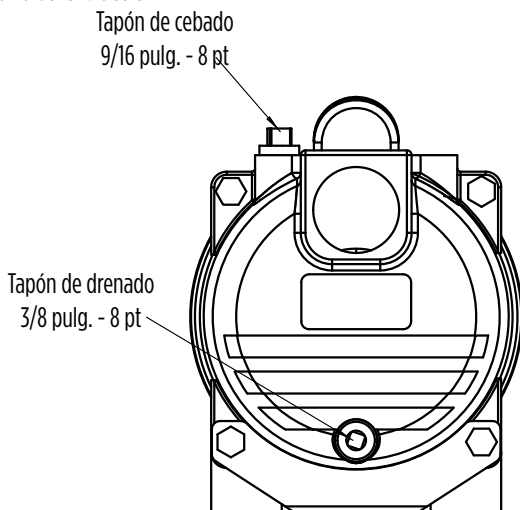
Esta hoja de instrucciones le proporciona la información requerida para tener y operar de forma segura su producto. Guarde las instrucciones para referencia futura.

El producto que ha adquirido se fabrica utilizando mano de obra y materiales de la más alta calidad y ha sido diseñado para prestarle un servicio duradero y confiable. Los productos son cuidadosamente probados, inspeccionados y empacados para garantizarle una entrega y operación seguras. Examine su unidad cuidadosamente para asegurarse de que no haya ocurrido ningún daño durante el transporte. Si se ha presentado algún daño, comuníquese con el lugar de compra. Deberán darle asistencia para obtener la reparación o reemplazo, si se requiere.

LEA ESTAS INSTRUCCIONES CUIDADOSAMENTE ANTES DE INTENTAR INSTALAR, HACER FUNCIONAR O PRESTAR SERVICIO TÉCNICO A SU PRODUCTO. CONOZCA CUÁLES SON LAS APLICACIONES, LIMITACIONES Y PELIGROS POTENCIALES DE LA UNIDAD. PROTEJA A TERCEROS Y PROTÉJASE A USTED MISMO SIGUIENDO TODA LA INFORMACIÓN DE SEGURIDAD. ¡LA FALTA DE CUMPLIMIENTO DE ESTAS INSTRUCCIONES PUEDE PRODUCIR LESIONES PERSONALES Y/O DAÑOS A LA PROPIEDAD!

DESCRIPCIÓN DE LOS TAPONES Y TAMAÑO DE LOS CASQUILLOS

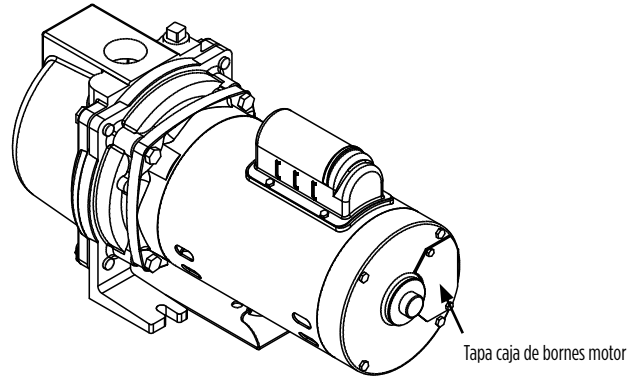
⚠ AVISO No utilice llaves de extremo abierto para aflojar los tapones. Los tapones pueden resultar dañados lo que dificultaría su extracción.



INSTRUCCIONES DE CABLEADO DE TENSIÓN

Para cambiar el voltaje de la bomba de la configuración de fábrica de 230 voltios, un electricista calificado debería:

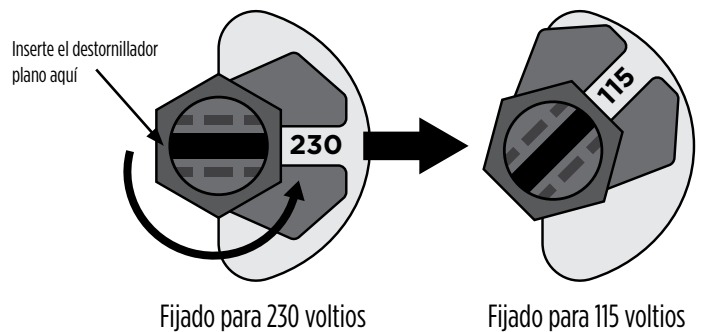
1. Desconecte la corriente a la bomba.
2. Retire la tapa de la caja de terminales del motor.



PARA LOS MODELOS DE 1 HP

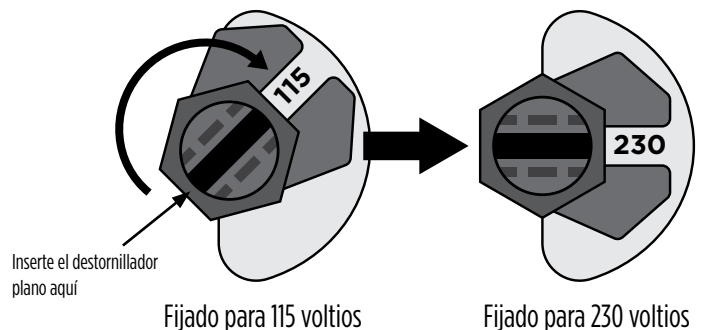
Cambio de tensión de 230 voltios a 115 voltios:

El recorte en el indicador de cambio de voltaje mostrará 230 prominente como se muestra abajo. Inserte un destornillador plano en el indicador de cambio de voltaje negro. Para cambiar de 230 voltios a 115 voltios, gire el indicador de cambio de voltaje en sentido contrario a las manecillas del reloj hasta que se visualice 115 en el recorte.

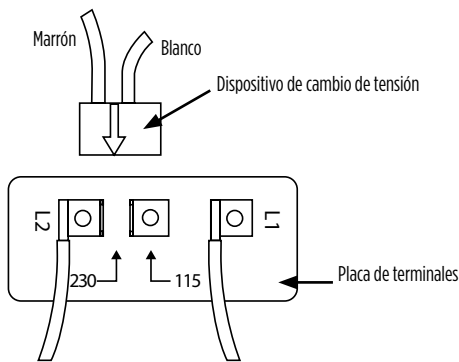


Cambio de tensión de 115 voltios a 230 voltios:

El recorte en el indicador de cambio de voltaje mostrará 115 prominente como se muestra abajo. Inserte un destornillador plano en el indicador de cambio de voltaje negro. Para cambiar de 115 voltios a 230 voltios, gire el indicador de cambio de voltaje en sentido horario a las manecillas del reloj hasta que se visualice 230 en el recorte.

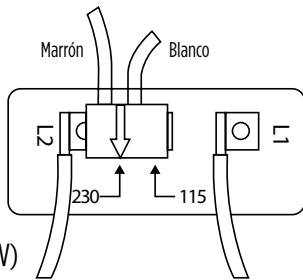


PARA LOS MODELOS DE 1-1/2 HP



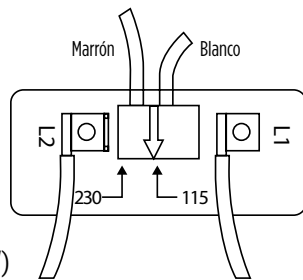
#1

En la figura #1, el interruptor del motor se muestra antes de presionar hacia abajo el dispositivo negro de cambio de tensión sobre los terminales de tensión. **NOTA:** NO QUITAR LOS CABLES DE L1 Y L2.



#2 (Ajustado para 230 V)

En la figura #2, el interruptor del motor está ajustado para 230 V. La flecha blanca del dispositivo de cambio de tensión apunta directamente a la punta de la flecha de 230 V de la placa de terminales.



#3 (Ajustado para 115 V)

En la figura #3, el interruptor del motor está ajustado para 115 V. La flecha blanca del dispositivo de cambio de tensión apunta directamente a la punta de la flecha de 115 V de la placa de terminales.

PARA LOS MODELOS DE 2 HP

El voltaje para los modelos de 2 HP se ajusta permanentemente a 230 voltios. 115 voltios no es una opción.

Tabla 1

MOTOR		CALIBRE DEL BABLE (AWG)				
HP	Voltaje	25 pies (8 m)	50 pies (15 m)	100 pies (30 m)	150 pies (46 m)	200 pies (61 m)
1	115	14	12	10	8	6
	230	14	14	14	14	12
1.5	115	12	12	8	6	6
	230	14	14	14	12	12
2	230	14	14	14	12	10

INSTALACIÓN

Ubicación de la Bomba

Instale la bomba en un lugar limpio, seco y ventilado, con drenaje adecuado, suficiente espacio para darle servicio y protegido contra temperaturas congelantes.

⚠ PRECACIÓN la bomba debe estar protegida de los elementos y temperaturas de congelación. El motor no es resistente al agua.

Se le debe empujar niveladamente a unos buenos cimientos, de preferencia de concreto, para evitar cualquier tensión innecesaria. El ubicar la bomba lo más cerca posible de la fuente de agua reducirá las pérdidas por fricción en la tubería de succión y proporcionará las capacidades máximas. **Utilice una válvula de pedestal.**

Tubería de Succión

Se recomienda se utilice solamente tuberías o mangueras nuevas y limpias y del mismo tamaño que la toma de succión de la bomba. Si la bomba está lejos de la fuente de agua, la tubería de succión se debe aumentar un tamaño. Incline la tubería de succión siempre hacia arriba para evitar bolsas de aire en la misma. Se recomienda se use un codo de 90° o 45° en la línea de succión. Esto le permite a la bomba beber más rápidamente y también evita que la manguera se acode. En los casos en que se necesite un volumen máximo de agua por períodos largos, la línea de succión debe estar casi horizontal con la bomba. Utilice un sellador no tóxico para rosca en todas las uniones de las tuberías, y las conexiones deben estar bien ajustadas. Se debe conectar un filtro o colador en el extremo inferior de la tubería de succión y éste debe estar bien sumergido en todo momento.

⚠ ADVERTENCIA PRECAUCIONES ELÉCTRICAS

Todo el cableado, las conexiones eléctricas y los sistemas de contacto a tierra deben cumplir con el Código Eléctrico Nacional (NEC) y con todas las ordenanzas y códigos locales. Contrate a un electricista calificado.

⚠ ADVERTENCIA PELIGRO DE DESCARGA ELÉCTRICA

Cómo conectar el motor a tierra

El cableado a esta bomba debe ser instalado y mantenido de acuerdo al Código Eléctrico Nacional o a su código local. Si necesita mayor información, llame a su electricista autorizado local o a su compañía eléctrica.

Se recomienda se haga una conexión a tierra permanente para la unidad, utilizando un conductor del diámetro adecuado desde una tubería metálica subterránea de agua o un conductor conectado a tierra en el panel de servicio. No la conecte a tierra con una tubería de suministro de gas. No la conecte al suministro eléctrico hasta que la bomba esté conectada a tierra permanentemente. Conecte el cable de contacto a tierra con un contacto a tierra aprobado y luego conéctelo al terminal provisto.

⚠ ADVERTENCIA PELIGRO DE DESCARGA ELÉCTRICA

Cableado: Asegúrese que el voltaje y la frecuencia del suministro eléctrico estén de acuerdo con la tensión de la bomba. Si tiene dudas, comuníquese con la compañía eléctrica. Conecte el cableado al terminal ubicado dentro de la tapa caja de bornes motor.

Pozo simple llano (Figura 4)

El pozo simple llano normalmente es un pozo con caja de acero o plástico de 4 ó 6 pulgadas perforado verticalmente en el suelo. La superficie del agua no debe estar a más de 25 pies de profundidad.

Conectar la válvula de pedestal al primer tramo del tubo de succión y bajarla dentro del pozo. Agregar los tramos de tubos necesarios, sujetándolos con ayuda de uno de los métodos de sellado mencionados anteriormente. La válvula de pedestal debe estar **POR LO MENOS** a cinco pies abajo de la superficie del agua para permitir la extracción del agua. Sellar la parte superior de la caja del pozo de 4 ó 6 pulgadas con una junta para evitar que caigan residuos dentro del pozo.

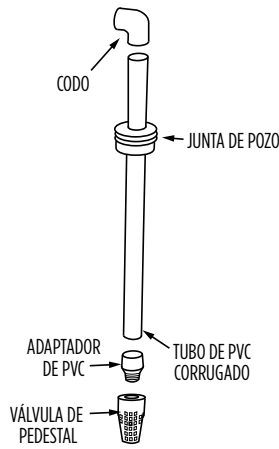


Figura 4

A. Conexión del Bocal de Succión (Figura 5)

1. Conectar la válvula de pedestal o el punto del pozo a la tubería y bajar el tubo y la válvula de pedestal hasta que queden por lo menos a cinco pies abajo del nivel del agua. Si está usando un pozo, sujete el tubo a la caja del pozo temporalmente para evitar que el tubo caiga dentro del pozo. Si el pozo está en una caja de 4 ó 6 pulgadas, usar una junta en la superficie. Nunca usar un tubo de succión más chico que el tamaño del bocal de succión de la bomba.

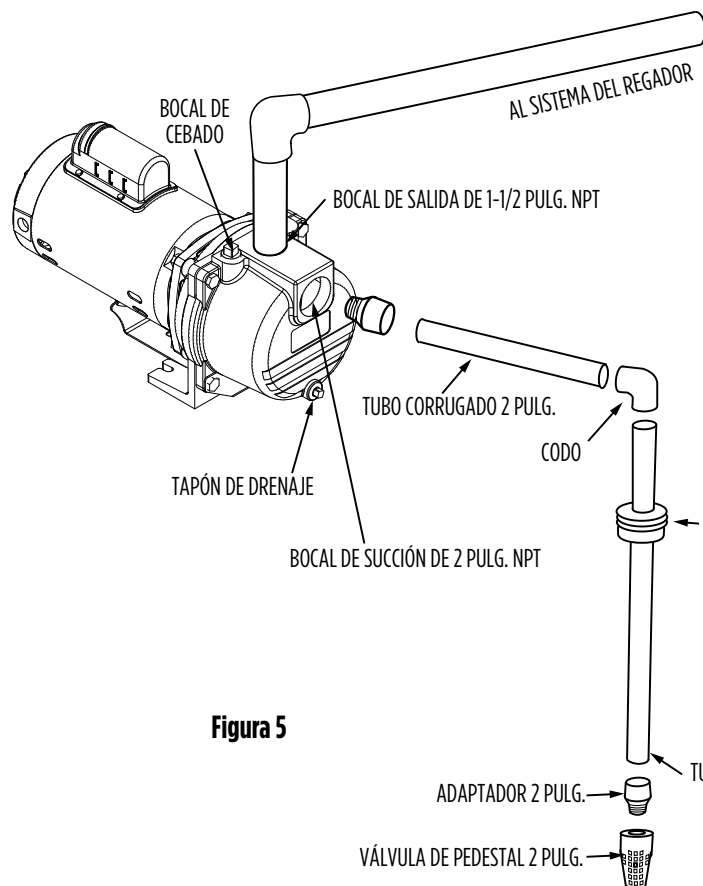


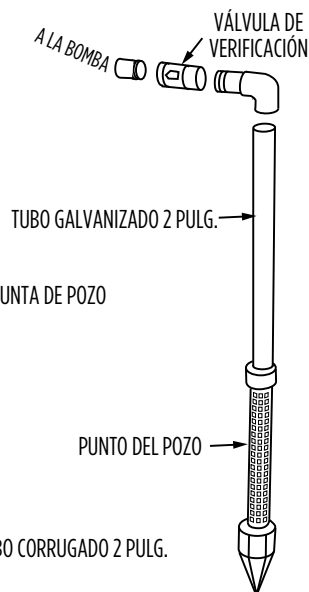
Figura 5

2. Conectar los codos, adaptadores, válvulas de verificación y tubos necesarios desde el agua hasta el bocal de succión de la bomba en la parte delantera. Cuando se use PVC, monte previamente el tubo y los accesorios en la bomba **ANTES** de aplicar el cemento de PVC para asegurar que los cortes estén bien hechos y que estén todas las partes necesarias. Usar cinta de PTFE en todas las roscas macho, envolviéndolas con una o dos vueltas de izquierda a derecha (mirando hacia el tubo). Apretar todas las conexiones roscadas hasta el final. **¡¡NO APRETAR DEMASIADO LOS TUBOS Y CONEXIONES!!** Apretar las juntas manualmente y después apretar media vuelta más con una llave de caños.

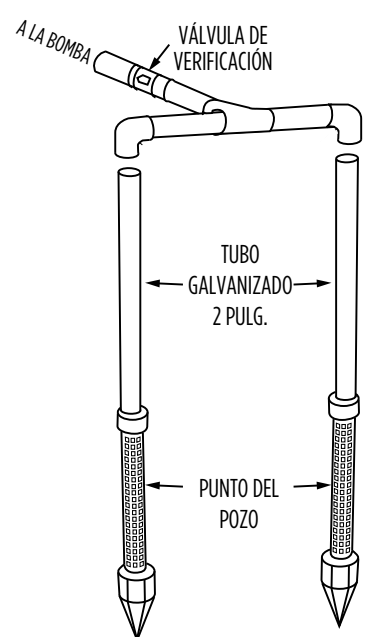
B. Conexiones del Bocal de Salida (Figura 6)

1. Enroscar el adaptador macho o el niple del tubo al bocal de salida de la parte superior de la bomba. (Usar cinta de PTFE en la rosca)
2. Conectar el tubo entre el tubo principal del regador y la salida de la bomba. El tamaño del tubo de salida aumenta con la longitud del tubo. El tamaño del tubo de salida puede ser igual al tamaño del bocal de salida para distancias hasta 100 pies. Aumentar el tamaño del tubo de salida una vez para distancias de 100 a 300 pies. Para distancias de 300 a 600 pies, aumentar el tamaño del tubo dos veces. Eso reducirá la pérdida de presión por fricción.
3. Apretar todas las conexiones con rosca de los tubos con una llave de caños hasta el final. No apretar demasiado.

INSTALACIÓN DEL PUNTO DEL POZO



INSTALACIÓN DE POZO DE PUNTOS MÚLTIPLES



FUNCIONAMIENTO

⚠ ADVERTENCIA NUNCA opere la bomba contra una salida cerrada. Esto puede causar presión peligrosa y riesgo de explosión.

⚠ PRECACIÓN No operar la bomba antes de cebarla porque, el sello y el impulsor podrían dañarse permanentemente.

⚠ PRECACIÓN NO haga funcionar la bomba antes de llenar el cuerpo de la misma con agua, ya que puede dañar el sello.

⚠ PRECACIÓN NUNCA haga funcionar la bomba en seco. Llene la bomba con agua antes de arrancar. La operación de la bomba en seco puede causarle daños e invalidará la garantía.

La bomba tiene un tapón de cebado ubicado encima del casco para llenarla con agua. Una vez llenada y después que vuelva a colocar el tapón la bomba se cebará sola. El tiempo de cebado depende de las distancias verticales y horizontales entre la bomba y el nivel de agua.

1. Sacar el tapón de la salida del cebado de la bomba (Figura 7).
2. Abrir las válvulas de salida y todas las mangueras del lado de salida de la bomba.
3. Llenar la bomba con agua por el bocal de cebado en la parte superior de la bomba. Dejar salir el aire por algunos minutos, después agregar más agua hasta llenarla.
4. Recolocar el tapón del bocal de cebado con una llave, usando cinta de PTFE en las roscas de los tubos.
5. Hacer funcionar la bomba. Una bomba bien cebada debe descargar agua sin aire a una presión constante. Si la bomba no produce agua después de cinco minutos, pararla, soltar la presión, sacar el tapón del bocal de cebado, agregar más agua, recolocar el tapón y recomenzar. Cerciorarse que la válvula de pedestal está bien instalada en el tubo de succión (Figura 5). Si se usa una línea de succión excepcionalmente larga, el agua en el cuerpo de la bomba se puede recalentar y la línea de succión se puede bloquear con el vapor. Si esto ocurre, reemplace el agua en el cuerpo de la bomba con agua fría y continúe cebando.

⚠ PRECACIÓN

Nunca haga funcionar la bomba en seco, ya que podría dañar el sello.

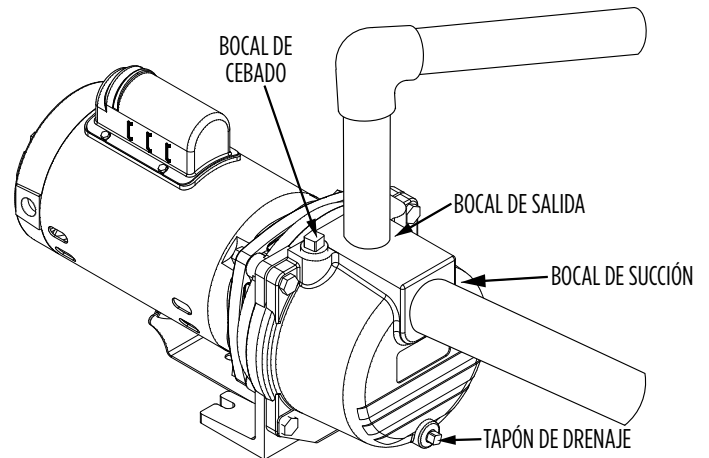


Figura 6

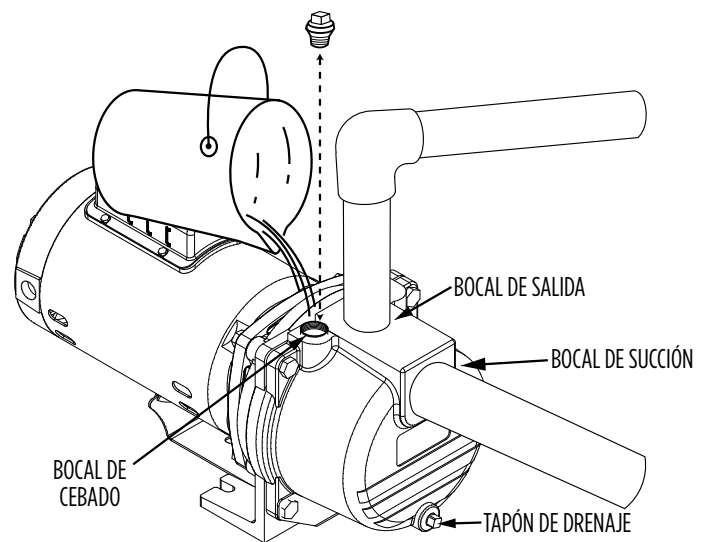


Figura 7

MANTENIMIENTO

⚠️ ADVERTENCIA PRECAUCIONES ELÉCTRICAS

Todo el cableado, las conexiones eléctricas y los sistemas de contacto a tierra deben cumplir con el Código Eléctrico Nacional (NEC) y con todas las ordenanzas y códigos locales. Contrate a un electricista calificado.

⚠️ ADVERTENCIA RIESGO DE DESCARGA ELÉCTRICA

- Haga que un electricista le conecte la electricidad al motor.
- El motor debe estar conectado a tierra y la tapa del terminal debe estar puesta para reducir el peligro de descarga eléctrica.
- Mantenga el área de operación del motor lo más seca posible.
- Se recomienda usar un circuito protegido por un dispositivo interruptor de circuito por falla de corriente a tierra (GFI) para cualquier aparato eléctrico que opere cerca del agua.
- Siempre desconecte el suministro eléctrico antes de darle servicio.
- No se ha investigado su uso para el área de piscinas.

Lubricación: La bomba no necesita lubricación.

Drenaje

Si la bomba va a estar expuesta a temperaturas congelantes, será necesario drenar la bomba completamente. Para hacer esto, quite el tapón de drenaje ubicado en la parte inferior frontal del cuerpo de la bomba, y el de cebado, y asegúrese que el agujero de drenaje no esté bloqueado. Una vez que se haya drenado toda el agua, haga funcionar la bomba por unos segundos para sacar todo el líquido del impulsor (asegúrese que la línea de succión también esté sin agua).

Almacenamiento de la Bomba

Drene el líquido de la bomba para evitar el congelamiento del mismo. Se recomienda se use un buen antioxidante en la cámara para el líquido para evitar la corrosión excesiva. Asegúrese que el motor se mantenga seco y cubierto. Cuando vuelva a usar la bomba, vuelva a colocar todos los tapones y asegúrese que todas las conexiones estén bien ajustadas y selladas. Luego de una revisión completa, haga el cargado inicial de acuerdo a las instrucciones bajo la sección FUNCIONAMIENTO.

Desarmado

(Consulte la figura 8 de la sección de PIEZAS DE RECAMBIO.)

1. Corte el suministro eléctrico a la bomba desde el tablero general y desconecte la bomba del suministro eléctrico.
 2. Abra un grifo para liberar la presión.
 3. Saque los tapones de drenaje y de cebado (8, 10) para que la bomba pueda drenar.
 4. Saque los cuatro pernos (9), el estuche (11), el empaque (12) y la junta tórica (6).
 5. Saque los tornillos del difusor (7) para separar el difusor (13) del adaptador del motor (3). Saque la tapa (16) e inserte un destornillador para evitar que el eje se mueva al desenroscar el impulsor (5). Si no puede girar el impulsor con la mano, inserte un objeto plano entre las paletas del impulsor.
- NOTA:** Usar llave de cadena en el ojal del impulsor para remover el impulsor.
6. Saque el sello de rotación (4) del centro del impulsor.
 7. Para reemplazar el asiento del sello (4A), saque los cuatro pernos para el adaptador (3) de caja a separar del motor (2). Empuje el asiento del sello (4A) fuera del adaptador del estuche desde el lado del motor.

Armado

1. Limpie bien todas las piezas cuidadosamente antes de volver a armar la bomba.
 2. Lubrique levemente (con agua jabonosa) la tapa de goma del sello de cerámica (4) y empújelo dentro del adaptador (3) usando sólo los pulgares. Verifique que la superficie lisa del asiento de cerámica quede apuntando hacia fuera.
- NOTA:** Si la bomba estará fuera de servicio por más de una semana, los componentes del sello deben instalarse secos (sin lubricarlos).
3. Coloque el adaptador nuevamente en el motor con los cuatro pernos retirados previamente.
 4. Lubrique el sello de rotación (4) (con agua jabonosa) y deslícela sobre el cubo del impulsor con el anillo de 'carbón' el asiento de cerámica. Aplique adhesivo a las roscas del impulsor antes de instalar el impulsor.
 5. Reinstale el impulsor (5) y el difusor (13).
 6. Reinstale la cubierta (11) verificando que la junta (12) y la junta tórica (6) no esté dañada y que esté en su lugar.
 7. Reconecte los tubos al casco de la bomba y al interruptor de presión.
 8. Reconecte el suministro eléctrico.
 9. **Cebe la bomba**, enciéndala y revise si hay pérdidas.

Tabla 2 - TABLA DE PÉRDIDA POR FRICCIÓN PARA TUBERÍAS DE PLÁSTICO*

Pérdida de presión en pies, debido a la fricción por 100 pies de tubería.

Tamaño Nominal de Tubería Gal. Amer./Min.	3/4 pulg	1 pulg	1-1/4 pulg	1-1/2 pulg	2 pulg
4	3.75	1.15	0.30	0.14	-
5	5.66	1.75	0.46	0.22	-
6	7.95	2.45	0.65	0.31	-
7	10.60	3.25	0.86	0.41	-
8	13.50	4.16	1.10	0.52	-
9	16.80	5.17	1.35	0.65	-
10	20.40	6.31	1.67	0.79	0.23
11	24.40	7.58	1.98	0.95	0.27
12	28.60	8.85	2.33	1.10	0.32
14	38.00	11.80	3.10	1.46	0.43
16	48.60	15.10	3.96	1.87	0.55
18	60.50	18.70	4.93	2.33	0.69
20	73.50	22.80	6.00	2.83	0.84

Pérdida de presión en metros, debido a la fricción por 100 metros de tubería.

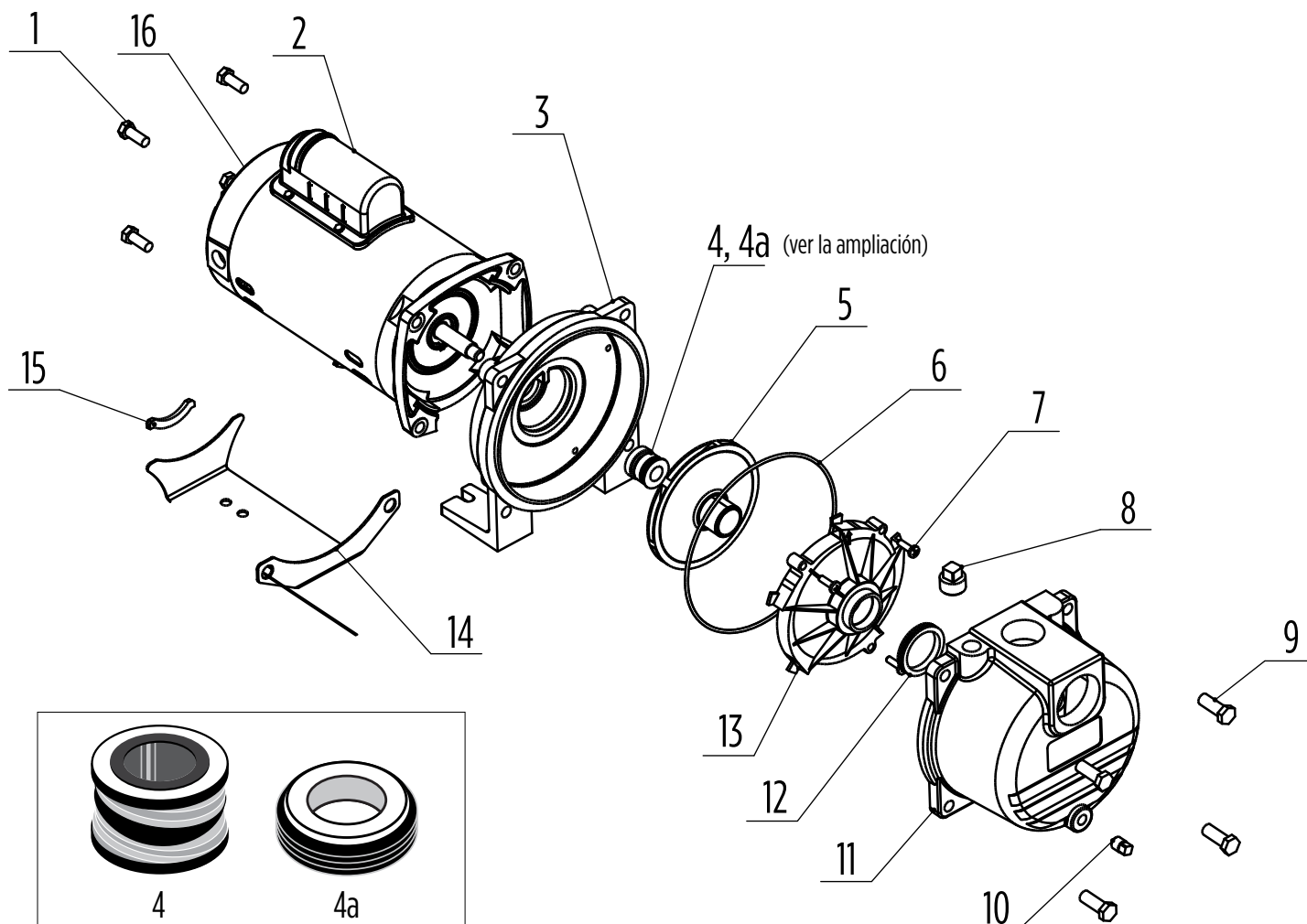
Tamaño Nominal de Tubería L/Minuto	20 mm	25 mm	32 mm	40 mm	50 mm
15	3.7	1.15	0.30	0.13	-
20	5.3	1.64	0.43	0.19	-
25	7.1	2.18	0.56	0.27	-
30	13.5	4.13	1.08	0.49	-
35	16.3	5.00	1.31	0.61	-
40	23.5	7.30	1.90	0.88	0.25
45	28.3	8.74	2.31	1.07	0.29
50	34.2	10.60	2.79	1.32	0.38
55	40.7	12.60	3.32	1.56	0.46
60	48.1	14.90	3.92	1.85	0.54
65	55.7	17.30	4.45	2.15	0.63
70	63.8	19.70	5.20	2.46	0.73
75	72.2	22.40	5.89	2.78	0.83

*Duplique el número para tuberías galvanizadas.

GUÍA PARA SOLUCIONAR PROBLEMAS

Problemas	Causas	Soluciones
No bombea	La bomba no está bien cebada.	Asegúrese que el cuerpo de la bomba y la línea de succión estén llenas de agua. Vea las instrucciones de cebado.
	La velocidad es muy lenta.	⚠ ADVERTENCIA Precauciones Eléctricas Todo el cableado, las conexiones eléctricas y los sistemas de contacto a tierra deben cumplir con el Código Eléctrico Nacional (NEC) y con todas las ordenanzas y códigos locales. Contrate a un electricista calificado. Revise el voltaje en los terminales del motor y en el medidor cuando la bomba esté funcionando. Si está bajo, vea las instrucciones de cableado o consulte con su compañía eléctrica. Asegúrese que no haya conexiones flojas.
	La columna total de agua excede la capacidad de diseño de la bomba.	Se necesita una bomba diseñada para mayor presión.
	La altura de succión es demasiada.	Coloque la bomba más cerca de la fuente de agua. Asegúrese que el diámetro de la tubería de succión es lo suficientemente grande.
Capacidad y/o Presión Reducidas	Fugas o bolsas de aire en la línea de succión.	Revise la tubería de succión.
	Fugas o bolsas de aire en la línea de succión.	Revise la tubería de succión.
	impulsor trabado.	Sáquelo y límpielo.
	El colador es muy pequeño o está atorado.	Utilice un colador más grande o límpielo.
	La línea de succión no está suficientemente sumergida.	Añada tramos a la tubería de succión para mantenerla sumergida y bien por debajo del nivel del agua.
	Demasiada presión de succión.	Si es causada por la fricción de la tubería de succión, use una tubería de mayor diámetro. Caso contrario, coloque la bomba más cerca al nivel de agua.
La Bomba Pierde pierde su cebado	La columna total de agua excede la capacidad de diseño de la bomba.	Se necesita una bomba diseñada para mayor presión.
	Intrusión de aire en la línea de succión.	Revise la tubería de succión.
	La altura de succión es excesiva y está funcionando muy cerca del punto de apague.	Coloque la bomba más cerca al nivel de agua.
Problemas y Ruidos Mecánicos	El nivel del agua baja cuando se bombea, dejando la tubería de succión al descubierto.	Revise el suministro de agua. Añada tramos a la tubería de succión para mantenerla sumergida y bien por debajo del nivel del agua.
	Eje doblado y/o rodamientos dañados.	Lleve el motor a un taller de reparaciones autorizado.
	Las tuberías de succión y/o descarga no están debidamente apoyadas o sujetadas.	Asegúrese que todas las tuberías estén bien apoyadas para aliviar la tensión sobre el conjunto de la bomba.

PIEZAS DE RECAMBIO (Figura 8)



Artículo #	Descripción del artículo	Donde utilizado	Contenidos
305606007	Kit de revisión general	RL-SPRK100	4, 4a, 5, 6, 7, 12
305606008	Kit de revisión general	RL-SPRK150	4, 4a, 5, 6, 7, 12
305606009	Kit de revisión general	RL-SPRK200	4, 4a, 5, 6, 7, 12
305606010	Kit de revisión general	RL-SPRK150-BR	4, 4a, 5, 6, 7, 12
305606011	Kit de revisión general	RL-SPRK200-BR	4, 4a, 5, 6, 7, 12
305606001	Kit de estuche	All RL-SPRK	11
305606012	Kit de sello del eje	All RL-SPRK	4, 4a, 6, 12
305606013	Kit de junta/tornillería	All RL-SPRK	1, 6, 8, 9, 10, 15
305606002	Kit de impulsor/difusor	RL-SPRK100	5, 6, 7
305606003	Kit de impulsor/difusor	RL-SPRK150	5, 6, 7
305606004	Kit de impulsor/difusor	RL-SPRK200	5, 6, 7
305606005	Kit de impulsor/difusor	RL-SPRK150-BR	5, 6, 7
305606006	Kit de impulsor/difusor	RL-SPRK200-BR	5, 6, 7

NOTAS

GARANTÍA LIMITADA

Para consideraciones de la garantía, la marca de Red Lion® (denominada de ahora en adelante “la Marca”), garantiza que los productos especificados en esta garantía están libres de defectos en los materiales y en la mano de obra de la Marca. Durante el período, y sujeto a los términos estipulados en este documento, la Marca reparará o reemplazará al cliente o usuario original cualquier parte del producto que presente defectos materiales o de fabricación atribuibles a la Marca. En todo momento, la Marca tendrá y poseerá el único derecho y opción de determinar si repara o reemplaza el equipo, piezas o componentes defectuosos. La Marca tiene la opción de inspeccionar cualquier producto devuelto bajo los términos de la garantía para confirmar que esté cubierto por la garantía antes aprobar la reparación o reemplazo según la garantía. Esta garantía constituye la única obligación de la Marca y es el único recurso que tiene el cliente si el producto tiene defectos. Devuelva el producto defectuoso al sitio de compra para que sea considerado bajo la garantía.

DURACIÓN DE LA GARANTÍA – PRODUCTOS: 24 meses a partir de la fecha de compra por el cliente. (Los cepillos, el impulsor o la leva en los modelos con motor de cepillo y/o los impulsores de aletas flexibles no están cubiertos por la garantía.) En caso de que no exista un comprobante adecuado de la fecha de compra, el período efectivo de esta garantía comenzará a partir de la fecha de fabricación del producto.

MANO DE OBRA Y OTROS COSTOS: La Compañía DE NINGUNA MANERA será responsable por el costo de la mano de obra en el campo u otros cargos en que incurra cualquier cliente al retirar y/o instalar algún producto, pieza o componente.

MEJORAS AL PRODUCTO: La Compañía se reserva el derecho de cambiar o mejorar sus productos, o cualquier parte de los mismos, sin que por ello tenga la obligación de realizar dicho cambio o mejora en las unidades vendidas y/o despachadas con anterioridad.

TÉRMINOS Y CONDICIONES GENERALES: Esta garantía no tiene efecto si los daños se deben a fuerza mayor, desgaste por uso normal, servicios de mantenimiento normal y la piezas utilizadas para dicho servicio, rayos o condiciones que estén fuera del alcance de la Compañía, como tampoco tendrá vigencia en aquellos productos que, a criterio exclusivo de la Compañía, hayan sido sujetos a negligencia, maltrato, accidente, mal uso, manipulación indebida, alteración o instalación, funcionamiento, mantenimiento o almacenamiento indebidos, o si se sobrepasan los valores máximos recomendados, estipulados en estas instrucciones.

Esta garantía quedará ANULADA si se hallan cualesquiera de las siguientes condiciones:

1. El producto se utiliza para propósitos distintos a aquellos para los cuales fue diseñado y fabricado
2. El producto no fue instalado de conformidad con las normas, reglamentos y prácticas comerciales aceptadas
3. El producto se conecta a un voltaje distinto al que se indica en la placa de identificación
4. La bomba se utilizó con fluidos distintos al agua dulce a temperatura ambiente aproximadamente
5. La bomba funcionó sin líquido (se cortó el suministro de líquido)
6. El cliente abrió el alojamiento sellado del motor o desarmó el producto
7. El cable se cortó a un largo menor que 0,9 m (3 pies)

EXENCIÓN DE RESPONSABILIDAD: Toda afirmación verbal con respecto al producto, por parte del vendedor, la Compañía, los representantes o cualquier otra parte, no constituye garantía alguna, no debe ser considerada como tal por el usuario y no forma parte del contrato de venta. La única obligación del vendedor y la Compañía, y el único recurso del comprador, será el reemplazo y/o reparación que hará la Compañía del producto, tal como se describió anteriormente. NI EL VENDEDOR NI LA COMPAÑÍA SERÁN RESPONSABLES POR CUALQUIER LESIÓN, PÉRDIDA O DAÑO DIRECTO, INCIDENTAL O INDIRECTO (LO QUE INCLUYE, SIN LIMITACIÓN, DAÑOS INCIDENTALES O INDIRECTOS POR PÉRDIDA DE GANANCIAS, DE VENTAS, LESIONES PERSONALES O MATERIALES, O CUALQUIER OTRO DAÑO INCIDENTAL O INDIRECTO) QUE RESULTARA DEL USO O INCAPACIDAD DE USAR EL PRODUCTO, Y EL USUARIO ACUERDA QUE NO HAY NINGÚN OTRO RECURSO. Antes de usarlo, el usuario deberá determinar la idoneidad del producto para el uso propuesto y asumirá todos los riesgos y toda la responsabilidad que ello implique. LA GARANTÍA Y RECURSO DESCRITOS EN ESTA GARANTÍA LIMITADA REPRESENTAN UNA GARANTÍA Y RECURSO EXCLUSIVOS Y SE OFRECEN EN LUGAR DE CUALQUIER OTRA GARANTÍA O RECURSO, EXPLÍCITO O IMPLÍCITO. POR EL PRESENTE, SE EXCLUYEN EXPLÍCITAMENTE OTRAS GARANTÍAS Y RECURSOS, INCLUSO, PERO SIN LIMITARSE A CUALQUIER GARANTÍA IMPLÍCITA DE COMERCIALIZACIÓN O IDONEIDAD PARA UN PROPÓSITO ESPECÍFICO. EN LA MEDIDA EN QUE CORRESPONDA A UN PRODUCTO, LA GARANTÍA ESTARÁ LIMITADA EN DURACIÓN A LOS PERÍODOS DE LAS GARANTÍAS EXPRESAS DESCRITAS ANTERIORMENTE. Algunos estados y países no permiten la exclusión o las limitaciones sobre la duración de las garantías implícitas ni la exclusión o limitación de responsabilidades por daños incidentales o indirectos, por lo que puede que las exclusiones o limitaciones anteriores no correspondan en su caso particular. Esta garantía le otorga a usted derechos legales específicos y es posible que usted también tenga otros derechos que varían según el estado o país.

**Para la ayuda técnica, partes o la reparación, por favor póngase
en contacto..... 888.885.9254 | redlionproducts.com**



Form 106905105
Rev. 000
01/18

