

WARRANTY and SERVICE:

Limited Warranty:

Rola-Chem Corporation warrants the original purchaser that this unit is free from manufacturing defects in material and workmanship from the date of the original purchase for one (1) year. If this unit fails within the one (1) year period, it will be replaced or repaired (Rola Chem's option) at no charge. This warranty does not apply to any product damage caused by improper use or if the product was altered.

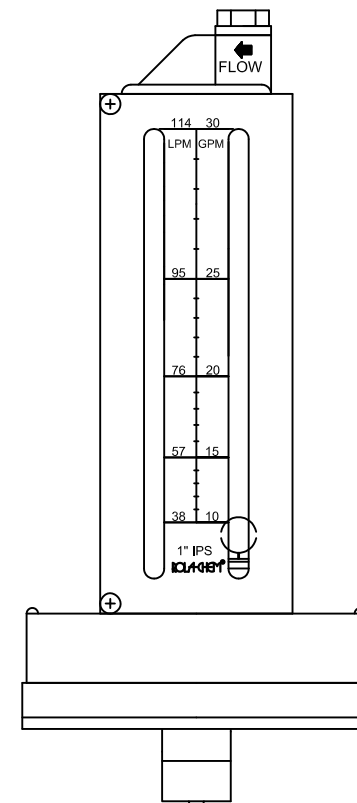
Rola-Chem Corporation, under no circumstances, shall be liable for any consequential damages directly or indirectly caused by this unit. Please observe all rules and regulations required by state and local regulations, building codes, health codes, OSHA, etc.

Service or warranty Claims: for assistance in the United States, please call:

Rola-Chem Corporation
5858 Centerville Road
St. Paul, MN 55127
(800)-549-4473 or FAX (651) 653-0989,
Monday thru Friday, 8:00 AM-5:00 PM, Central Time

ROLA-CHEM[®]
CORPORATION

MODEL 570 FLOWMETER



INSTALLATION INSTRUCTIONS:

New installations:

For top and side mount models:

Drill a 3/4" diameter hole through one wall of the pipe.

For vertical mount models:

Drill a 1 3/16" diameter hole through one wall of the pipe.

The hole should be in centered in the pipe--see chart for minimum location dimensions of the flowmeter from any pipe turns or internal pipe obstructions.

Flowmeter water tubes should be as vertical as possible.

For replacement flowmeters:

Make sure the mounting hole in the pipe is 3/4" diameter for top or side mount models or 1 3/16" diameter for vertical models.

Redrilling may be necessary.

The black rubber gasket is mounted on the stem of the flowmeter.

Insert the stem into the pipe hole. Strap the flowmeter in place using the supplied hose clamps.

Use double-length clamps, (2 clamps threaded together) on large diameter pipe (4", 6", and 8" flowmeters).

Read the flow on the scale of the side plate at the center of the ball.

Note: Scale readings are based on Schedule 40 PVC and Type M copper

pipe.

If the inside diameter of pipe is different (having other inside diameters) the scales will not read correctly.

Full Range Accuracy is $\pm 10\%$ when installed according to instructions.

Flowmeters are designed to withstand temperatures up to 200°F.

DISASSEMBLY AND CLEANING INSTRUCTIONS:

Remove the flowmeter from the pipe.

Remove the black plastic cap located above the ball tube.

Remove the ball.

Wash the stainless steel ball and the tube with a solution of one part muriatic acid to four parts water.

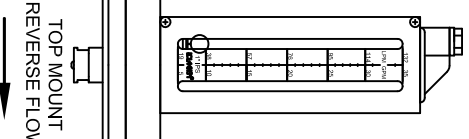
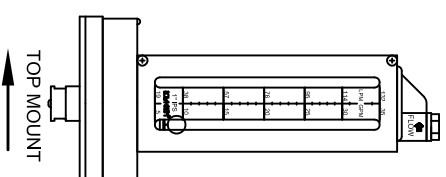
After washing, rinse thoroughly with clean water.

Reassemble and remount on pipe.

REVERSE FLOW INSTRUCTIONS:

TOP MOUNT-

Rotate Flow Meter 180 °



SIDE MOUNT-

Remove side covers (4 screws).

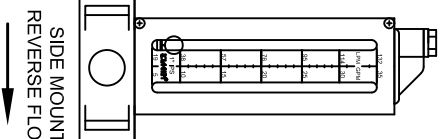
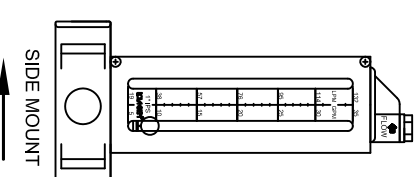
Lift off Top and remove Ball.

Put Ball in other Tube.

Replace Top with reverse orientation.

Re-attach Side Covers.

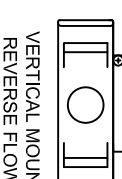
Note: Ball is under black Cap.



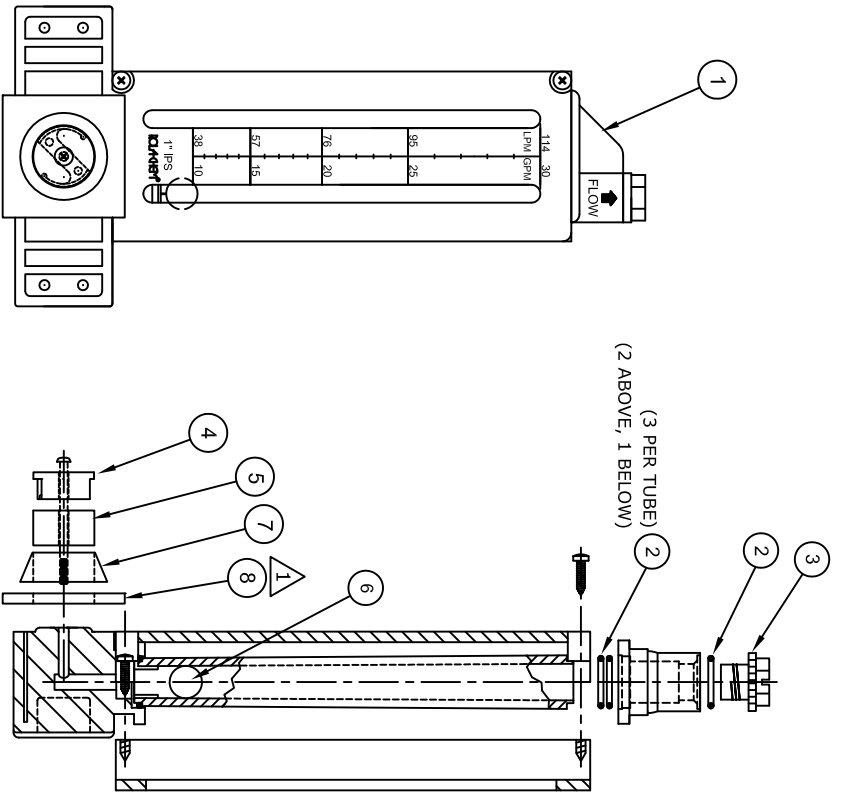
VERTICAL MOUNT-

Reverse the same as side mounted Flow Meter.

Note: Flow will be opposite direction of arrow. Using downward flow is not recommended due to expected high reading fluctuations



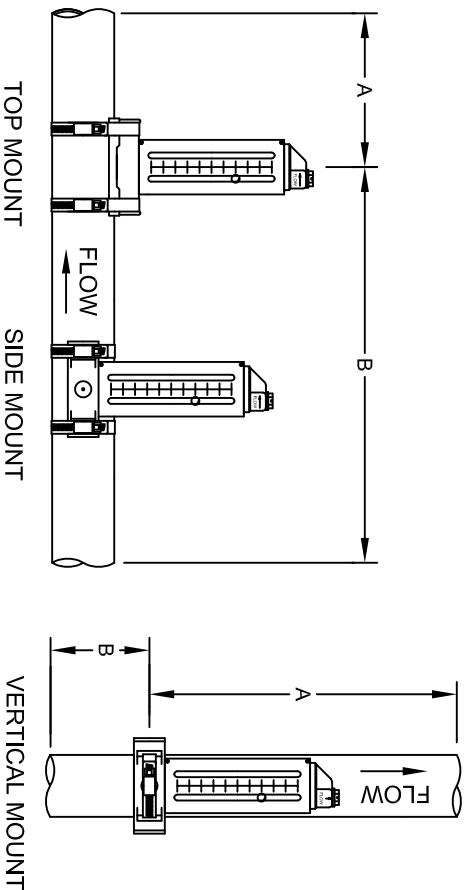
Flowmeter dimensions:
9" High x 4" Wide x 1.5" Deep



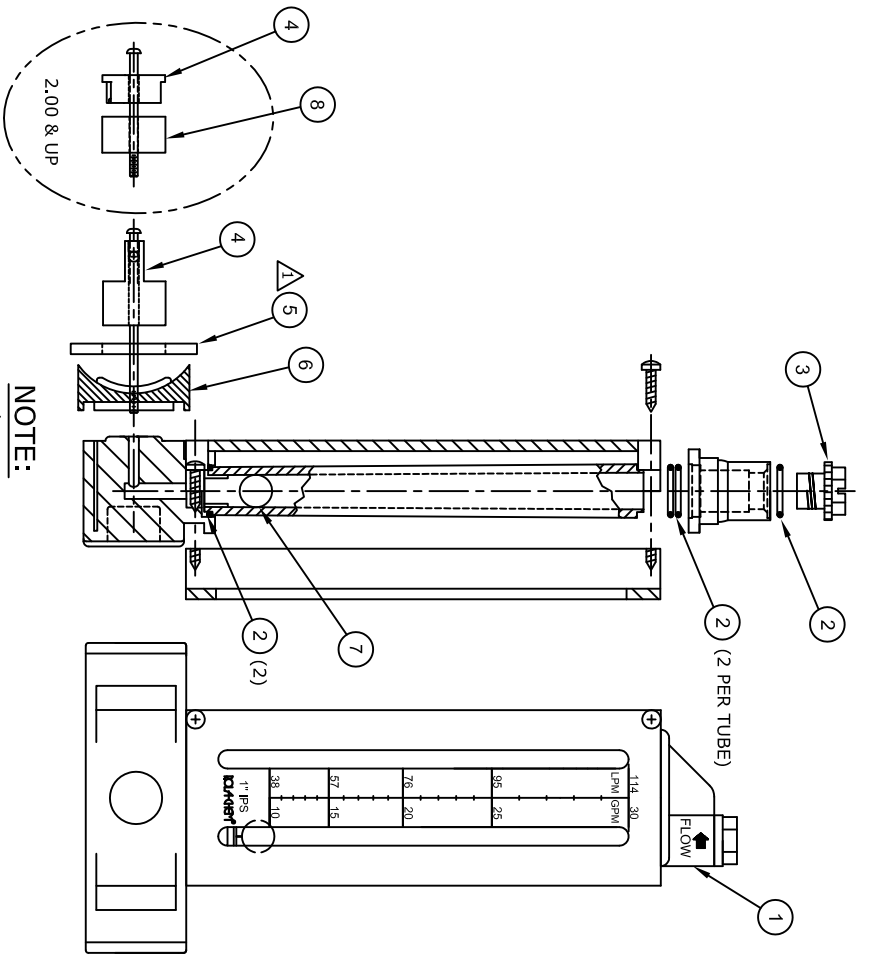
NOTE:
 ▲ ITEM #8 IS ONLY USED ON 1.00 FLOWMETER.

		4.00 thru 8.00	
		3.00	
		1.00 thru 2.50	
1	8	570071	GASKET, SQ. SPACER, VERTICAL MOUNT
1	1	570088	GASKET, CONE, VERT MNT
1	1	8340220	BALL, Ø.386
1	5	570065	EXTENSION, TRIPLE LENGTH
1	5	570064	EXTENSION, DOUBLE LENGTH
1	1	570063	EXTENSION, SINGLE LENGTH
1	1	570037	PITOT END CAP
1	1	570035	CAP PLUG BLACK
7	7	570027	O-RING 1-014 BUNA-N
1	1	570002	TOP, VERTICAL MNT.
1	1	1	
QTY	ITEM	PART NUMBER	DESCRIPTION

FLOWMETER PVC VERTICAL MOUNT



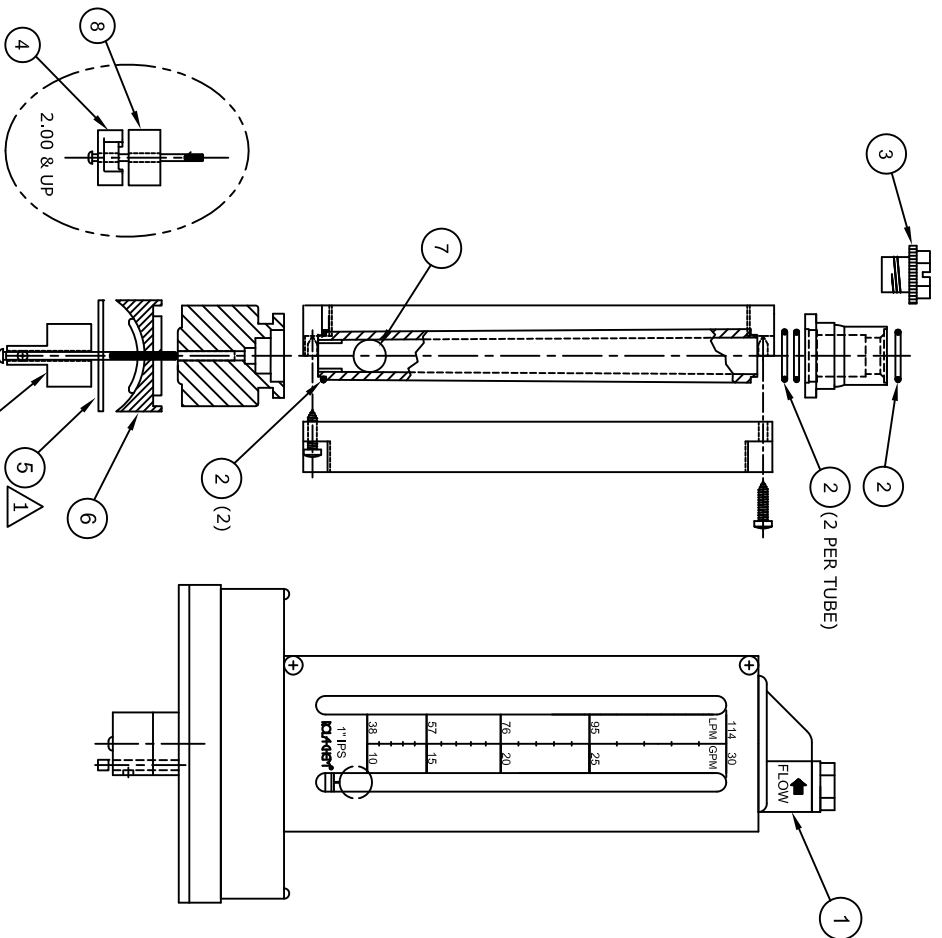
MODEL NO.	PIPE MATERIAL	PIPE SIZE	"A" MIN.	"B" MIN.	RANGE GPM	RANGE LPM	CLAMP SIZE
570321	PVC-GALV	1"	5"	10"	10-30	38-114	40
570331	PVC-GALV	1-1/4"	6"	11"	15-50	57-189	44
570340	COPPER	1-1/2"	8"	15"	20-55	76-208	44
570341	PVC-GALV	1-1/2"	8"	15"	25-60	95-227	44
570350	COPPER	2"	10"	20"	30-140	114-530	56
570351	PVC-GALV	2"	10"	20"	30-150	114-568	56
570360	COPPER	2-1/2"	13"	25"	70-245	227-927	64
570361	PVC-GALV	2-1/2"	13"	25"	60-240	227-908	64
570370	COPPER	3"	15"	30"	80-280	303-1060	64
570371	PVC-GALV	3"	15"	30"	80-300	303-1136	64
570380	COPPER	4"	20"	40"	120-480	454-1818	44 (2)
570381	PVC-GALV	4"	20"	40"	125-500	473-1893	44 (2)
570391	PVC-GALV	6"	30"	60"	250-1050	946-3975	64 (2)
570401	PVC-GALV	8"	40"	80"	500-1900	1893-7192	72 (2)



NOTE:
 ▲ ITEM #5 IS ONLY USED ON 1.00 FLOWMETER.

ITEM	QUANTITY	PART NUMBER	DESCRIPTION
1	1	570003	TOP, SIDE/TOP MNT
1	1	570127	TOP, SIDE/TOP MNT
1	1	570027	O-RING 1-014 BUNA-N
1	1	570035	CAP PLUG BLACK
1	1	570037	PITOT END CAP
1	1	570124	PITOT END CAP, SPECIAL
1	1	570070	GASKET, SPACER, TOP/SIDE
1	1	570129	GASKET, SIDE/TOP MNT
1	1	570130	GASKET, SIDE/TOP MNT (SM)
1	1	8340220	BALL, Ø.386
1	1	570063	EXTENSION, SINGLE LENGTH
1	1	570064	EXTENSION, DBL. LENGTH
1	1	570065	EXTENSION, TRIPLE LENGTH
1	1	4.00 thru 8.00	
1	1	3.00	
1	1	2.00 & 2.50	
1	1	1.50 COPPER	
1	1	1.50 PVC	
1	1	1.25 PVC	
1	1	1.00 PVC	

FLOWMETER SIDE MOUNT



NOTE:
 ▲ ITEM #5 IS ONLY USED ON 1.00 FLOWMETER.

ITEM	QUANTITY	PART NUMBER	DESCRIPTION
1	1	570003	TOP, SIDE/TOP MNT
1	1	570127	TOP, SIDE/TOP MNT
1	1	570027	O-RING 1-014 BUNA-N
1	1	570035	CAP PLUG BLACK
1	1	570037	PITOT END CAP
1	1	570124	PITOT END CAP
1	1	570070	GASKET, SPACER, SIDE/TOP MNT
1	1	570129	GASKET, SIDE/TOP MNT
1	1	570130	GASKET, SIDE/TOP MNT (SM)
1	1	8340220	BALL, Ø.386
1	1	570063	EXTENSION, SINGLE LENGTH
1	1	570064	EXTENSION, DBL. LENGTH
1	1	570065	EXTENSION, TRIPLE LENGTH
1	1	4.00 thru 8.00	
1	1	3.00	
1	1	2.00 & 2.50	
1	1	1.50 COPPER	
1	1	1.50 PVC	
1	1	1.25 PVC	
1	1	1.00 PVC	

FLOWMETER TOP MOUNT