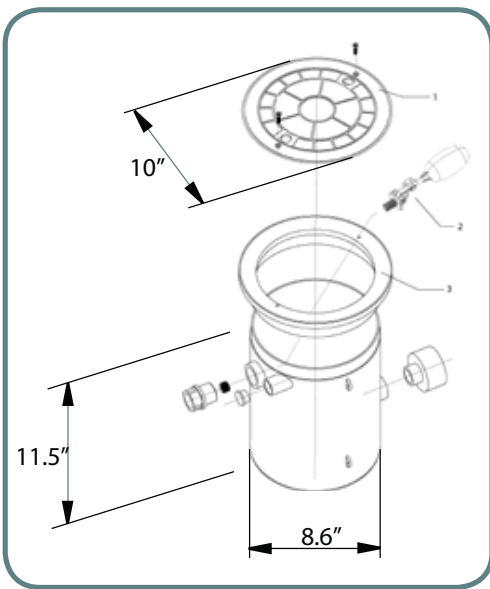


Water Leveler (New Construction)

- All Plastic Worry-Free 3/8" Float Valve
- Easy to Install
- 3/4" or 1/2" Water Inlet
- Bottom Port Equalizer Line is 1" Socket
- Optional Overflow Line is 1/2" Socket
- 1.5" & 2" Adapters Included



Thermoplastic Float Assembly for CMP Unit

- | | |
|---------------|----------|
| 25504-000-100 | 3/8" MIP |
| 25504-000-200 | 1/2" MIP |

Auto Water Leveler, Round Lid

1 per box

- | | |
|-----------|--------------------|
| 25504-100 | White Lid & Collar |
| 25504-101 | Gray Lid & Collar |
| 25504-109 | Tan Lid & Collar |

Auto Water Leveler, Square Lid

(Square Lid & Collar Float Over Body)

1 per box

- | | |
|-----------|--------------------|
| 25504-300 | White Lid & Collar |
| 25504-301 | Gray Lid & Collar |
| 25504-309 | Tan Lid & Collar |

Replacement Parts on Page A89