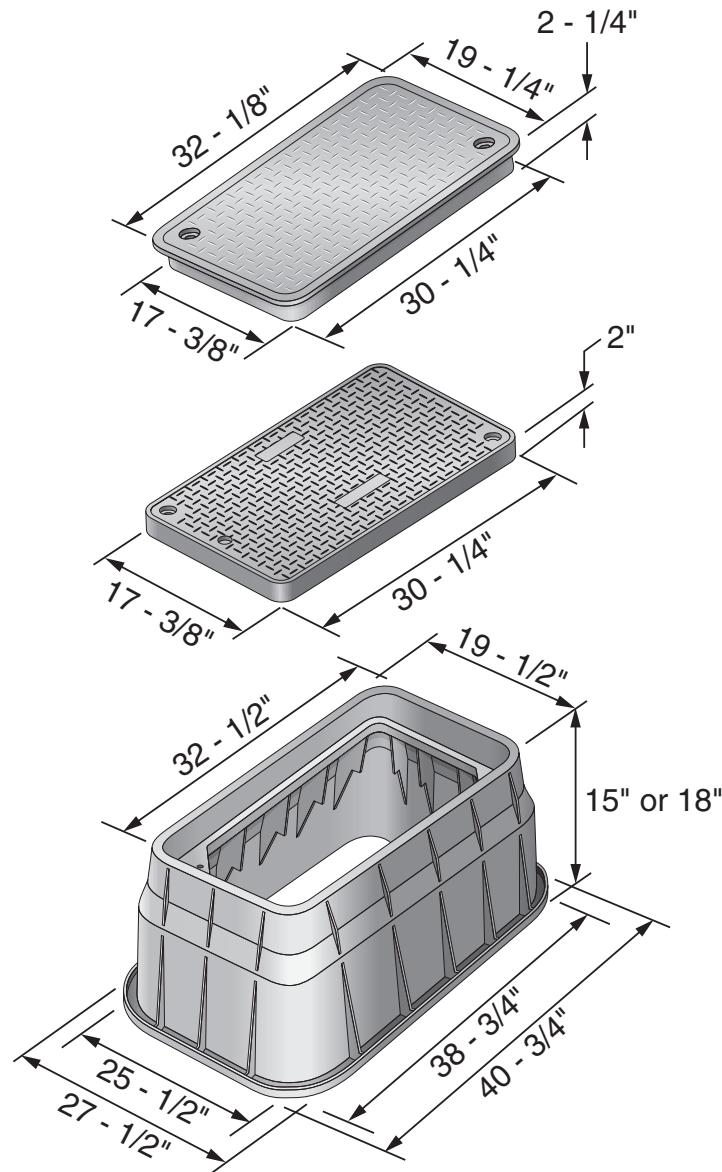


NDS Pro Series 17"x 30" Rectangular Valve Boxes

Specifications: The NDS PRO SERIES 17"x30" valve boxes and covers are injection molded of structural foam polyethylene material with a melt index between 10-12. Coloring and UV stabilizers are added, along with processing lubricants when needed. The 17"x30" body shall be tapered and have a minimum wall thickness of .320". The body shall have a double wall at the top cover seat area with a minimum thickness of .320". The cover seat area shall have 20 structural support ribs on the underside of the seat, each with a minimum thickness of .250". The bottom of the body shall have a 1.000" flange. The 17"x30" cover shall have an average thickness of .350".



Product is not to be installed in concrete and is not to be used in vehicular applications. Weights and dimensions are nominal.

Part Number	Box Description	Cover Description - Marking	Color (Box/Cover)	Pallet Qty	Weight Ea
Box & Cover					
224BCB	17"x30"x15" Box	Overlapping Bolt-Down Cover - ICV	Green/Green	12	28.00
226BCB	17"x30"x18" Box	Overlapping Bolt-Down Cover - ICV	Green/Green	10	37.00
224BCDB	17"x30"x15" Box	Drop-in Bolt-Down Cover - ICV	Green/Green	12	28.00
226BCDB	17"x30"x18" Box	Drop-in Bolt-Down Cover - ICV	Green/Green	10	37.00
226PBCRB	17"x30"x18" Box	Overlapping Cover - Reclaimed Water	Purple/Purple	10	37.00
224BCDB ELEC	17"x30"x15" Box	Drop-in Cover - Electric	Gray/Gray	12	28.00
226BCDB ELEC	17"x30"x18" Box	Drop-in Cover - Electric	Gray/Gray	10	36.90
Cover Only					
223C		17"x30" Overlapping Cover - ICV	Green	75	11.00
223CD		17"x30" Drop-in Cover - ICV	Green	75	11.00
223CR		17"x30" Overlapping Cover - Reclaimed Water	Purple	75	11.00
223CDR		17"x30" Drop-in Cover - Reclaimed Water	Purple	75	11.00
223CD ELEC		17"x30" Drop-in Cover - Electric	Gray	75	11.00
Box Only					
224B	17"x30"x15" Box		Green	12	20.00
224B GRAY	17"x30"x15" Box		Gray	12	20.00
226B	17"x30"x18" Box		Green	10	23.00
226B GRAY	17"x30"x18" Box		Gray	10	23.00

Call for additional options and availability

Properties of Unfoamed Resin

	ASTM Test Method	Polyolefin
Tensile Strength, Yield	ASTM D 638	3100-4400 PSI
Density	ASTM D 792	.900-.956
Notched Izod Impact Strength	ASTM D 256	4-15 ft. lbs/in.
Heat Deflection Temperature @ 66 PSI, Degrees F.	ASTM D 648	165-212 degrees F.

Shipping Configuration

	Box	Cover
Pallet	12	125
Pieces per Stack	6	25
Stack per Pallet	12	5
Pallet Dimensions	40"x55"x52 1/2"	39"x42"x62"



NDS Customer Service

851 N. Harvard Ave
Lindsay, CA 93247
Phone: (800) 726-1994
(559) 562-9888
Fax: (800) 726-1998
(559) 562-4488

www.NDSPRO.com