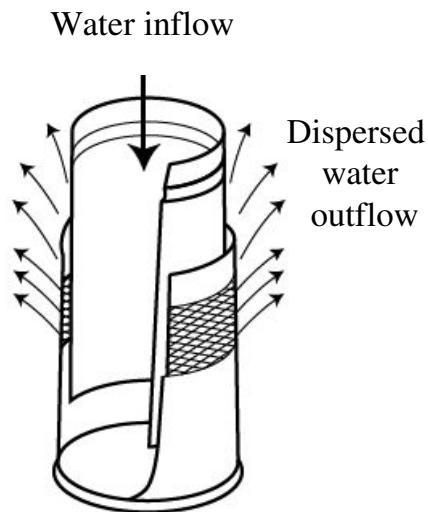
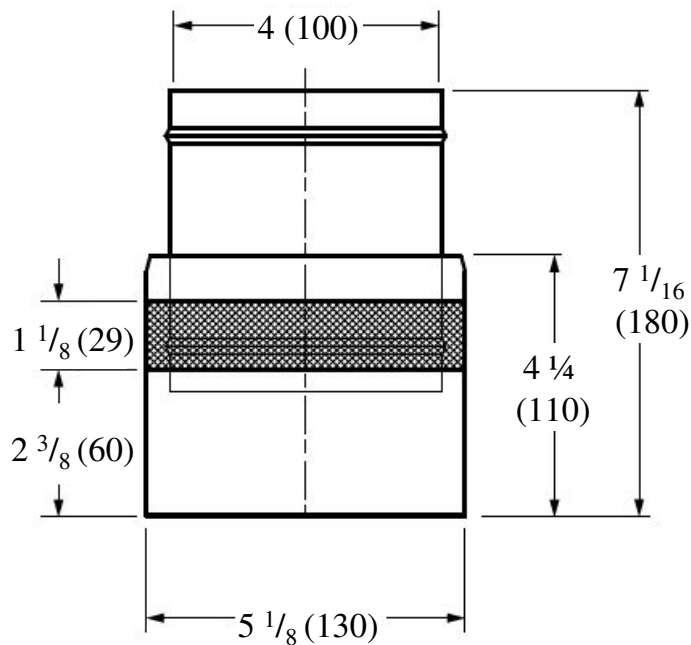


# SMOOTHING INLET

**Function:** The smoothing inlet is an all stainless steel device that fits on the 4" inlet pipe in the storage tank. It is used to prevent the agitation of sediment at the rainwater inlet into the storage tank. The smoothing inlet also helps aerate the water as it enters the tank.



Smoothing inlet  
WISY EB0300US

*NOTE: Dimensions shown in parentheses are in millimeters.*

# SMOOTHING INLET